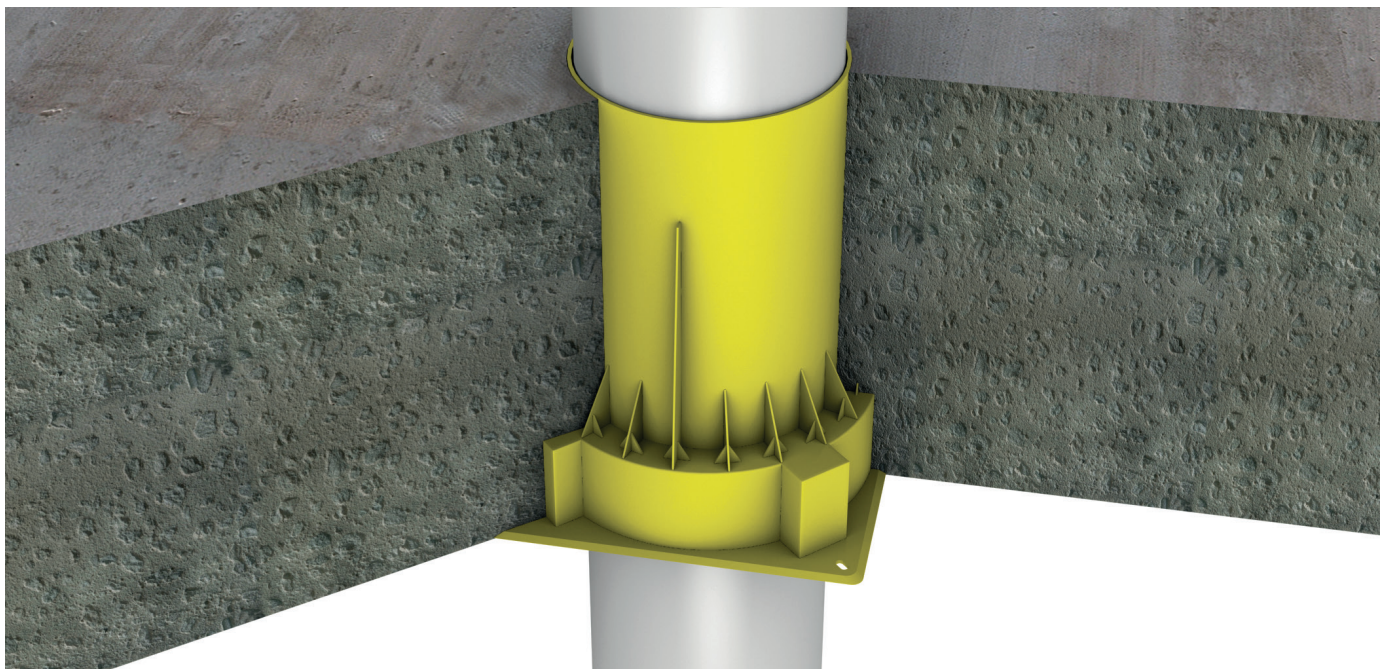


PROMASEAL® HY Collar Installation Instructions



PROMASEAL® HY Collar is designed to be fixed to formwork prior to pouring of concrete floor slabs. It has been tested with various plastic pipes to achieving a fire resistance up to -/240/240 in accordance with AS 1530: Part 4: 2014 and AS 4072: Part 1: 2005. The collar comes in THREE (3) sizes: 1) Small size for pipes up to a nominal 65mm, 2) Medium size for pipes up to a nominal 100mm, and 3) Large size for pipes of a nominal 150mm.

PROMASEAL® HY Collar is approved for use in stack applications only. They should not be used with floor wastes.

Please check with Promat before installing the collar to ensure the size and type of pipe being installed can be used with the particular size and type of collar.

Installation method

Cast-in installation to concrete/masonry floors

PROMASEAL® HY Collars accommodate the pipe fitting inside the soffit of the slab enabling height space savings to be achieved.

Place the collar on the formwork. Secure the collar into position with 20mm x 3mm flat head clouts, nailed through the notches provided. **DO NOT SKEW THE NAILS.** After the formwork has been stripped and the pipe is ready to be placed into position, knock out the cap from the top of the collar and insert the pipe section through the collar.

It should be noted that if the pipe is pushed in from the top, the rubber seal will be forced downwards. Lift the pipe slightly to ensure that the rubber seal projects upwards. The gap between the pipe and the collar must be back filled with concrete or commercial grade mortar mix. As an alternative, the gap can be filled to a depth of 20mm with PROMASEAL®-A Acrylic Sealant.

PROMASEAL® HY Collars have been extensively tested on permanent formwork decks such as "KingFlor", these are profiled steel decks with an uneven soffit requiring specialist application methods. Please consult Promat for details.

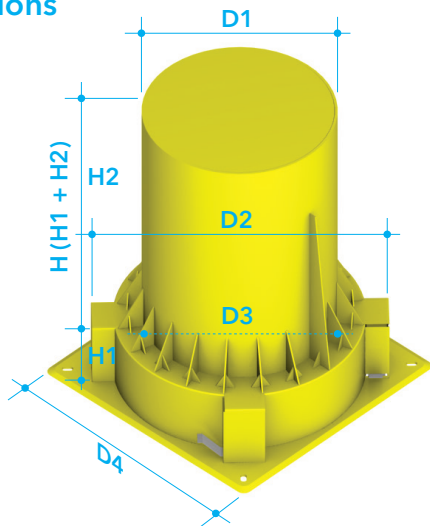
Approvals

Pipe materials and sizes in appropriate thickness for floor slabs.

Code no.	Pipe material	Pipe size	Max. FRL
HY 65	uPVC	40mm	-/240/240
HY 65	uPVC	50mm	-/240/240
HY 65	uPVC	65mm	-/240/240
HY 100	uPVC	100mm	-/240/240
HY 100	uPVC	40mm	-/240/240
HY 100	uPVC	65mm	-/240/240
HY 150	uPVC	150mm	-/240/180
HY 65	HDPE	40mm	-/240/240
HY 65	HDPE	50mm	-/180/180
HY 65	HDPE	56mm	-/240/240
HY 65	HDPE	63mm	-/120/120

Code no.	Pipe material	Pipe size	Max. FRL
HY 100	HDPE	90mm	-/240/180
HY 100	HDPE	110mm	-/240/240
HY 65	Triplus	40mm	-/240/240
HY 65	Triplus	50mm	-/240/240
HY 65	Triplus	70mm	-/240/240
HY 100	Triplus	90mm	-/240/240
HY 100	Triplus	100mm	-/240/240
HY 150	Triplus	150mm	-/180/180
HY 65	Raupiano	50mm	-/240/180
HY 65	Raupiano	75mm	-/240/180
HY 100	Raupiano	110mm	-/180/120
HY 100	Geberit Super Tube	110mm	-/180/180

Dimensions



Code no.	Body						Flange
	H	H1	H2	D1	D2	D3	D4
HY 65	250mm	45mm	205mm	95mm	132mm	97mm	154mm
HY 100	250mm	57mm	193mm	140mm	178mm	142mm	198mm
HY 150	250mm	57mm	193mm	194mm	232mm	197mm	253mm

Promat provides a wide range of systems for compartmentation, fire resistant air and cable ducts, structural steel protection, fire stopping and partitions. For assistance with any passive fire protection problems, please consult Promat.



Promat Australia Pty Ltd

www.promat.com.au

T 1800 PROMAT (776 628) E mail@promat.com.au
 F (08) 8352 1014 (Head office) (02) 9630 0258 (New South Wales)
 1800 334 598 (Victoria / Queensland)