

PROMASEAL® PSS Fire Resistant Services Seal Collar Installation Instruction

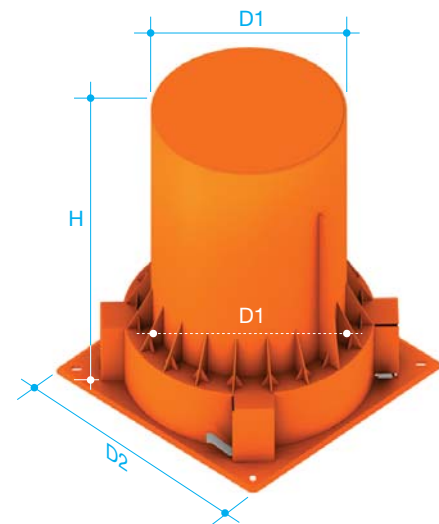
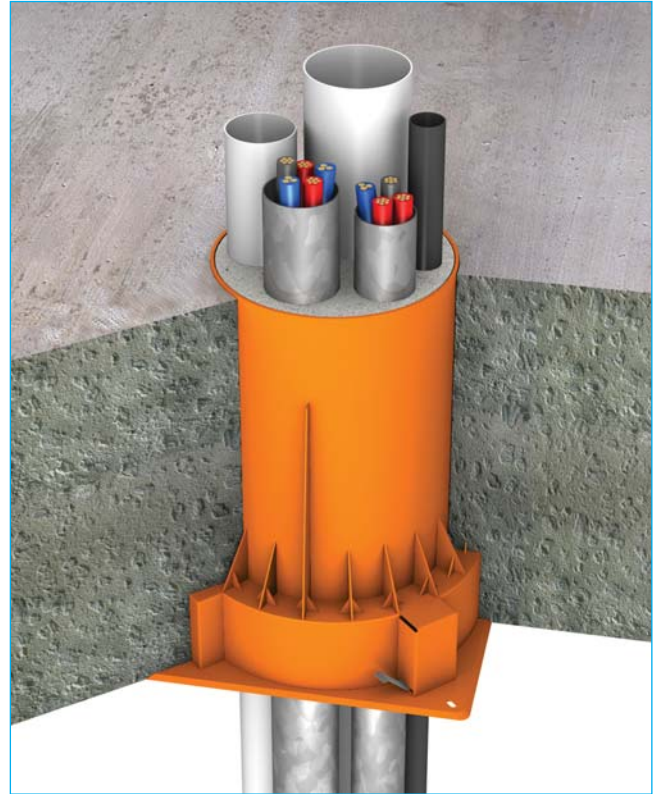
PROMASEAL® PSS Fire Resistant Services Seal Collar can be used for services other than plastic pipes. At various times electrical cables, lagged plastic pipes and/or combinations of these may need to be within a single unit. Always check national and local approvals to ensure that the particular services in question are included in the scope of the approvals for the collar.

PROMASEAL® PSS Fire Resistant Services Seal Collars have been tested respectively for FRL of -/120/120 within a minimum 120mm thick slab and -/180/120 within a minimum 150mm thick slab.

PROMASEAL® PSS Fire Resistant Services Seal Collars are designed to be fixed to the formwork prior to pouring concrete floor slabs. The collars are available only in one large size for nominal 150mm pipes.

Installation Guide

- 1) The PROMASEAL® PSS Fire Resistant Services Seal Collar sits firmly in position while the concrete floor slab is poured. To install, first ensure the collar sits flat on the formwork before nailing the collar to the formwork through the slots in the collar flange.
- 2) After the installation of the services, backfill the PROMASEAL® PSS Fire Resistant Services Seal Collar with PROMASEAL® Mortar.
- 3) Add mix to the full height of the floor slab. Ensure PROMASEAL® Mortar does not reach below the level of the black intumescent, as this may interfere with the closing action of the collar. This can be more easily achieved by slightly lifting the services after they are installed to ensure the rubber smoke seal projects upwards.
- 4) If the services are packed so tightly that backfill is not practical between the services, ensure that PROMASEAL® AN Acrylic Sealant or trowel grade PROMASEAL® Grafitex is injected to the maximum depth in and around services, above the rubber smoke seal.
- 5) The PROMASEAL® PSS Fire Resistant Services Seal Collar leaves a neat appearance after stripping and prevents the exposure of the steel reinforcement caused by coring. Before the installation of services, trim off any of the collar that extends above the slab and replace the cap at floor level to prevent any build up of debris inside the collar.



Dimensions Guide

Code no.	Maximum services (mm)	Body (mm)		Flange (mm)
		H	D1	D2
PSS 100	120*	250	140	198

*Allowance of 10mm for backfill around service.

Promat provides a wide range of systems for compartmentation, fire resistant air and cable ducts, structural steel protection, fire stopping and partitions. For assistance with any proactive fire protection problems, contact the nearest Promat office.

Promat Australia Pty. Ltd.

Tel: 1800 PROMAT (776 628) Email: mail@promat.com.au Website: www.promat.com.au
 Fax: 08 8352 1014 (South Australia) 02 9630 0258 (New South Wales) 1800 334 598 (Victoria and Queensland)

an **etex** GROUP company