

FSI Limited

for

Silverliner Range Of Open State Cavity Barriers

This Schedule should be read in conjunction with Certificate No. **IFCC 1672**. It relates to the performance of the Silverliner Range Of Open State Cavity Barriers as tested in accordance with BS EN 1363-1:2020 in conjunction with ASFP TGD19 and recorded in fire test reports which have been assessed to produce PAR/22436/01.

The following products are approved:

Product Name	Void Range (mm)	Air Gap (mm)	Integrity (minutes)	Insulation (minutes)	Product Depth (mm)	Cover Length (mm)	Fixing Requirement
Silverliner OSCB X (2mm)	2-27	25	90	60	75	25000	Non-combustible fixings suitable for substrate.
Silverliner OSCB X (2no 2mm)	4-54	50	60	30	75	12500	

(OSCB X See Appendix A & B)

Product Name	Void Range (mm)	Air Gap (mm)	Integrity (minutes)	Insulation (minutes)	Product Depth (mm)	Cover Length (mm)	L-Bracket Requirement
Silverliner OSCB 1	77-500	25	90	30	75	1000/1200	Non-combustible fixings suitable for substrate.

(OSCB 1- See Appendix C)

Product Name	Void Range (mm)	Air Gap (mm)	Integrity	Insulation	Product Depth (mm)	Cover Length (mm)	L-Bracket Requirement
Silverliner OSCB 2	104-350	50	60	30	75	1000/1200	Non-combustible fixings suitable for substrate.

(OSCB 2 - See Appendix D)

Schedule No: IFCC 1672/S01

Certificate No: IFCC 1672

Product Name	Void Range (mm)	Air Gap (mm)	Integrity	Insulation	Product Depth (mm)	Cover Length (mm)	L-Bracket Requirement
Silverliner OSCB 3	77-527	25	120	120	120	1000/1200	Non-combustible fixings suitable for substrate.

(OSCB 3 - See Appendix E)

Product Name	Void Range (mm)	Air Gap (mm)	Integrity (minutes)	Insulation (minutes)	Product Depth (mm)	Cover Length (mm)	L-Bracket Requirement
Silverliner OSCB 4	104-354	50	90	60	120	1000 / 1200	Non-combustible fixings suitable for substrate.
	355-550		60	60			

(OSCB 4 - See Appendix F)

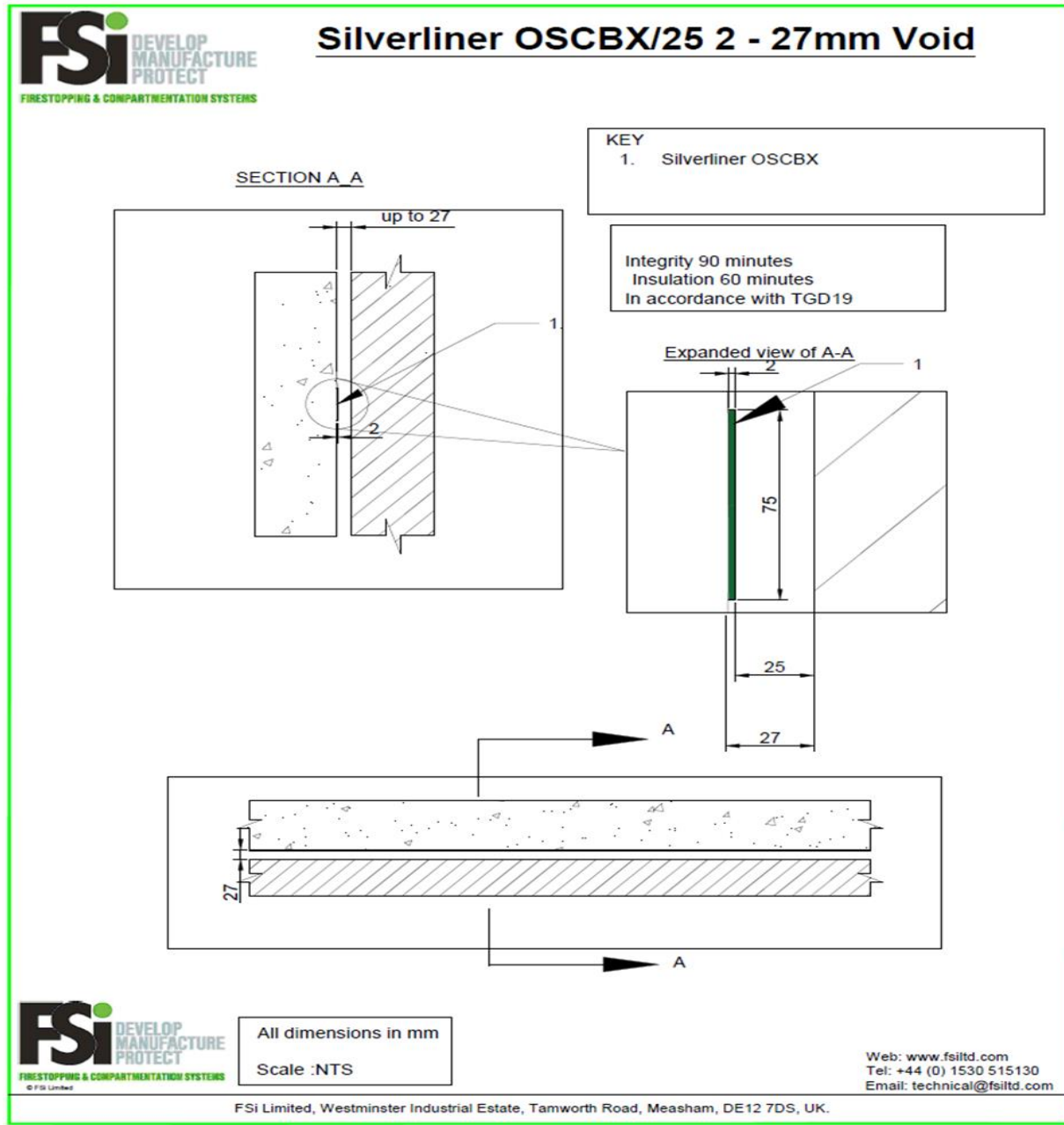
Notes

1. All brackets used are fixed with suitable non-combustible fixings
2. All brackets to penetrate product at mid thickness
3. All brackets to penetrate 75% of the gap width
4. Drawing provided by client.

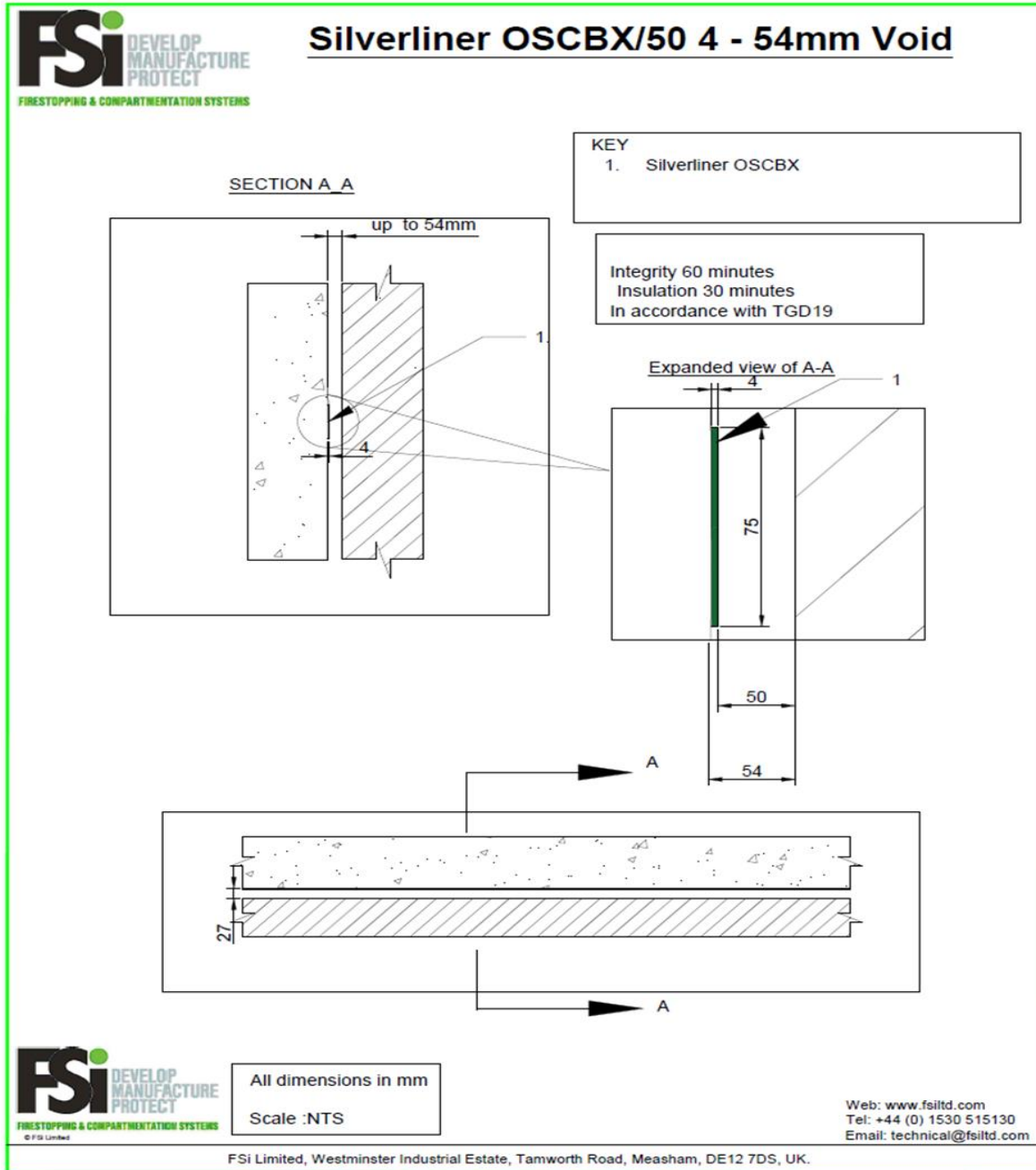
Appendices

Page 2 of 9

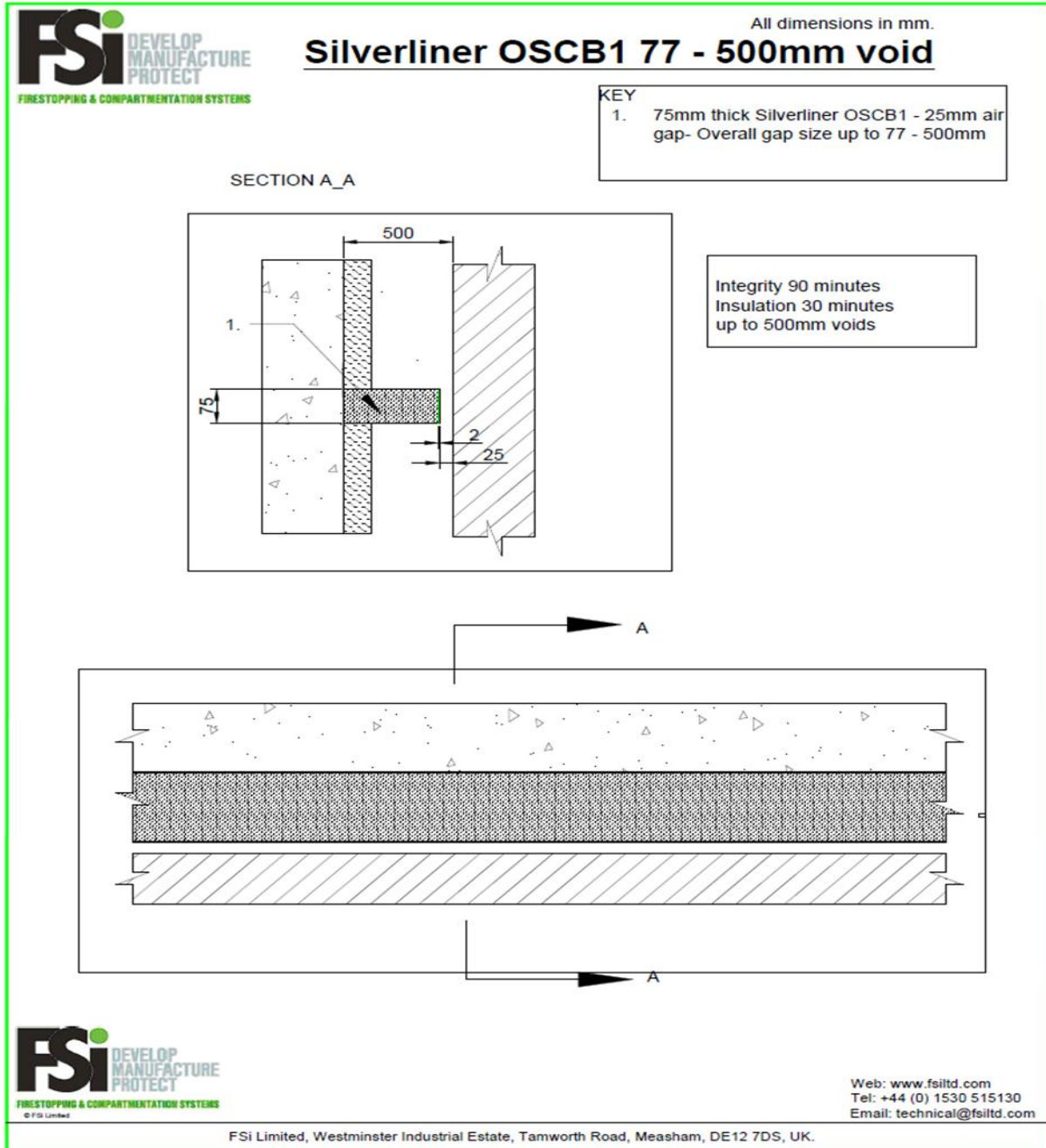
Appendix A



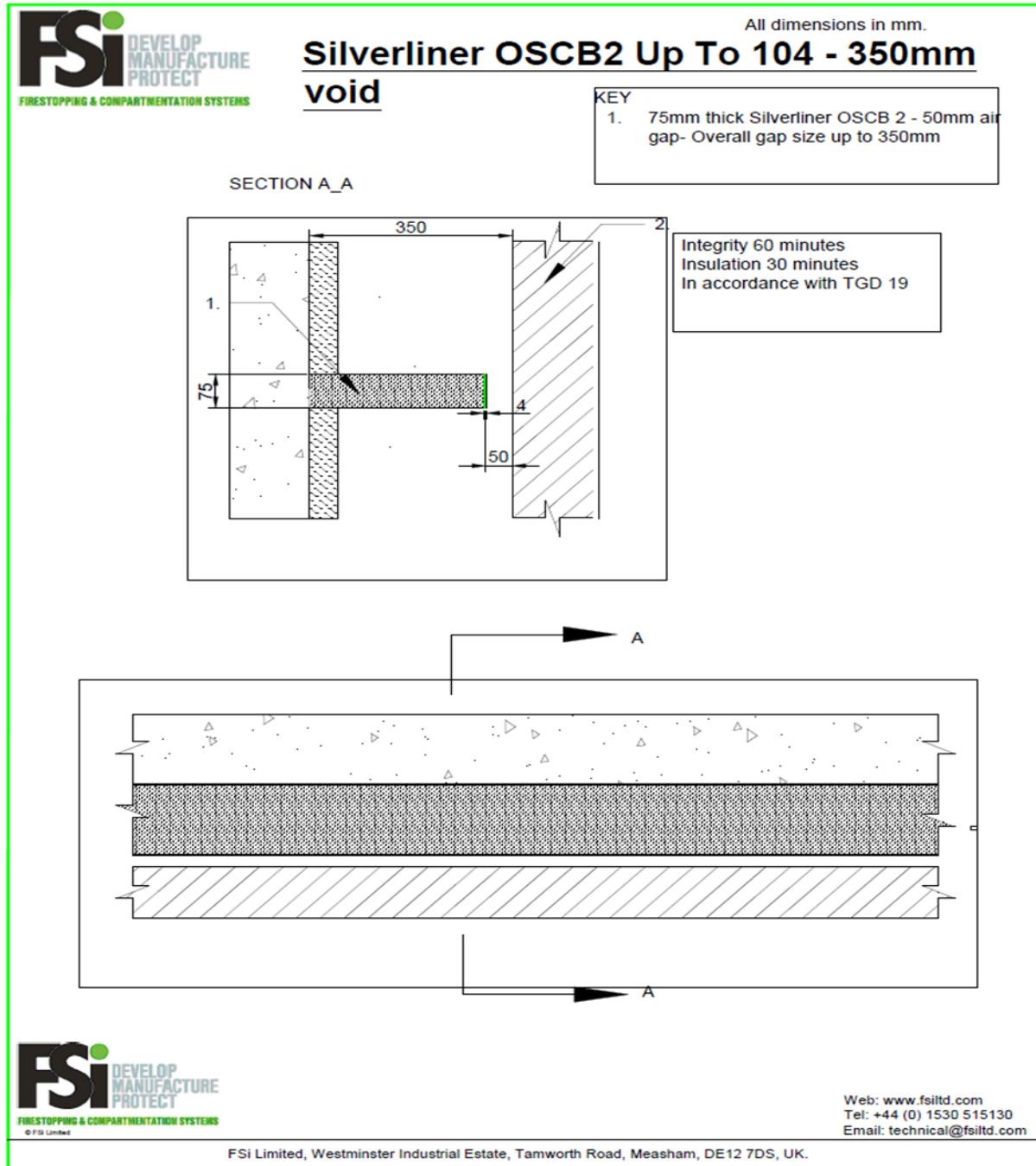
Appendix B



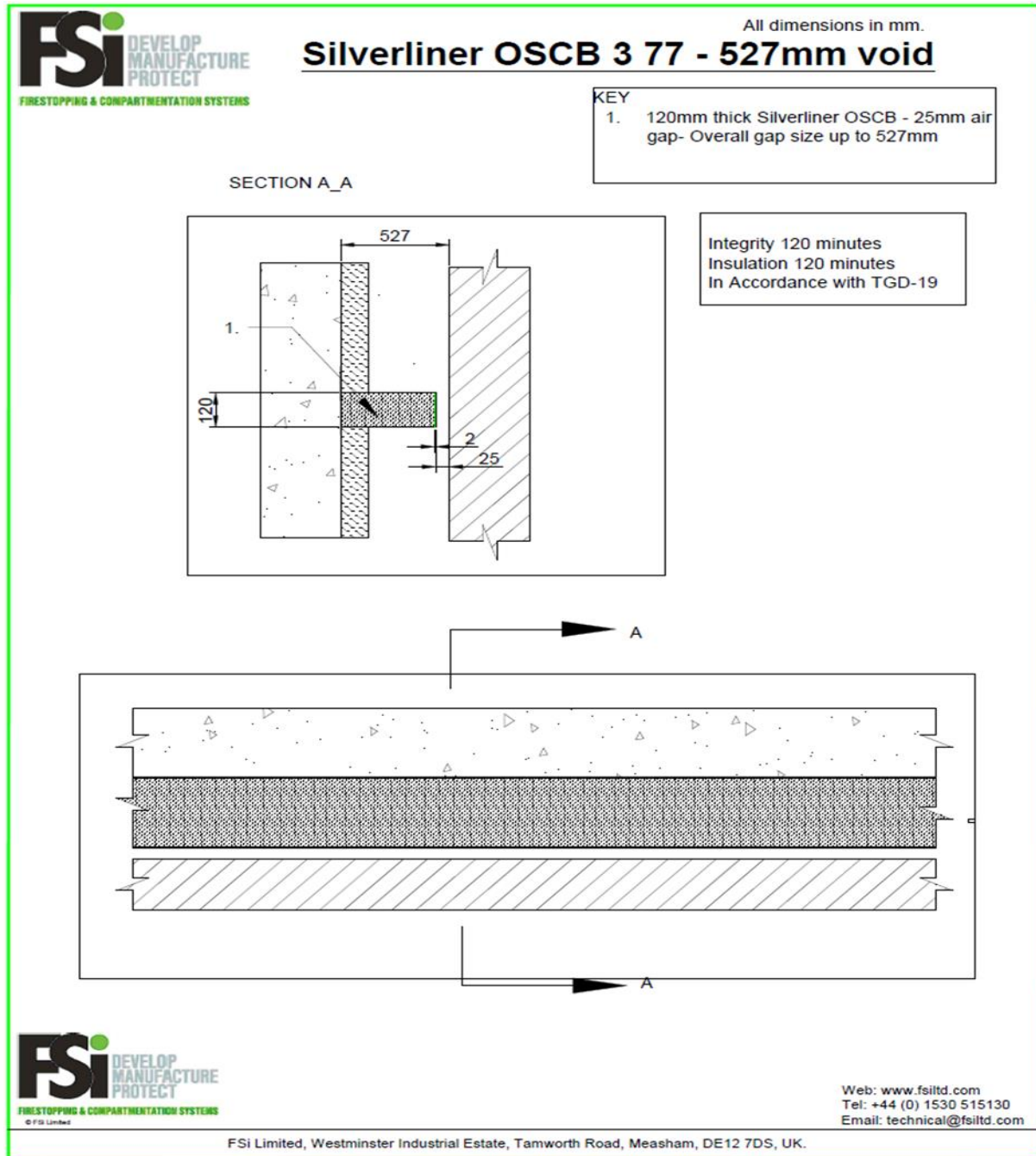
Appendix C



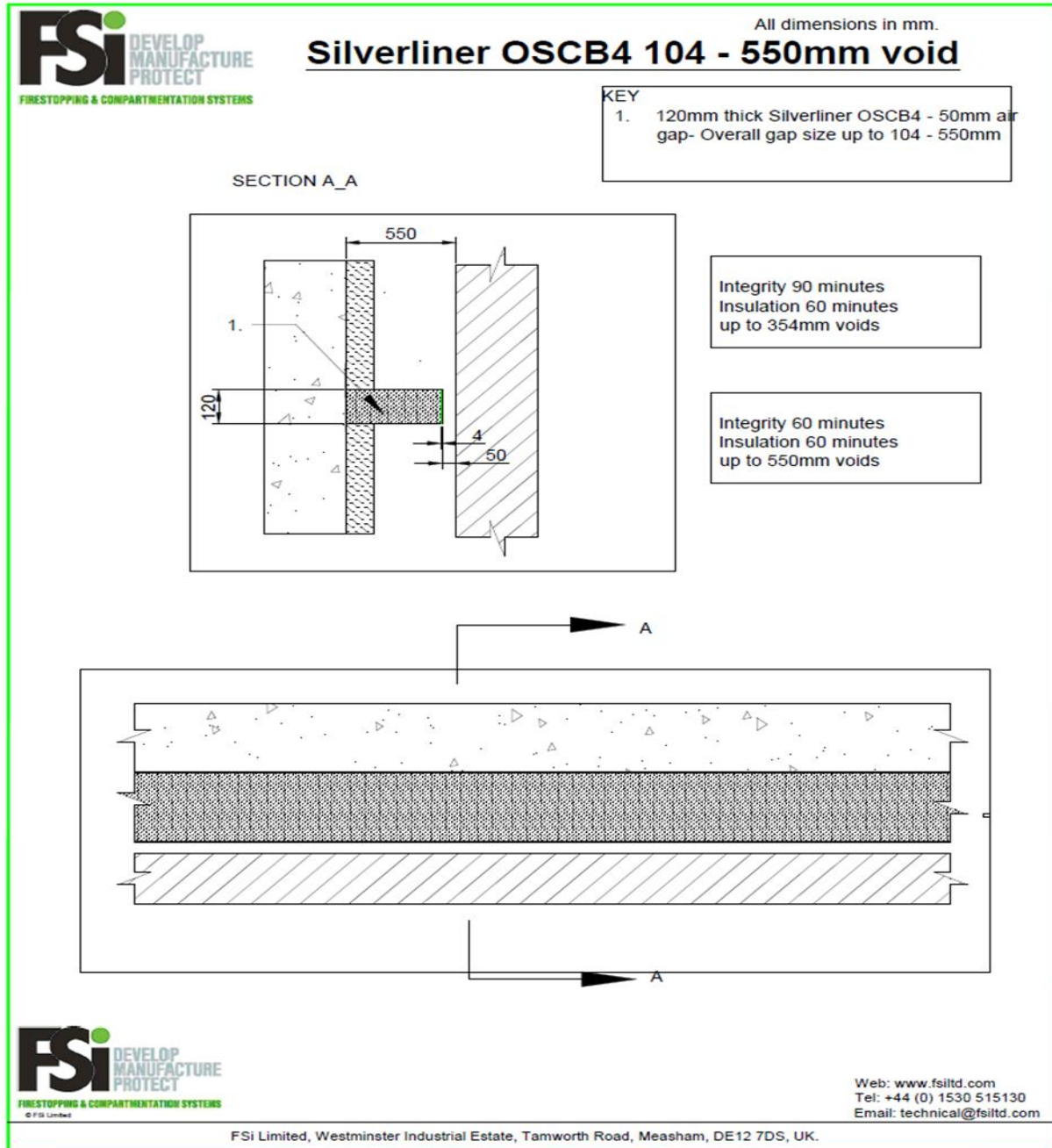
Appendix D



Appendix E



Appendix F



Schedule No: IFCC 1672/S01

Certificate No: IFCC 1672



Ian Woodhouse
Director, IFC Certification

Issued: 29 June 2022

The certificate and schedule are held in force by regular annual surveillance visits by IFC Certification and the reader or user should contact IFC Certification to validate its status. This certificate remains the property of IFC Certification and must be returned to them on demand.
©IFC Certification Ltd