

**Drawing Title - Standard Eave
With Warm Roof (Insulated Between Rafters)**

Cedral Slates - With (LR) Breather Membrane

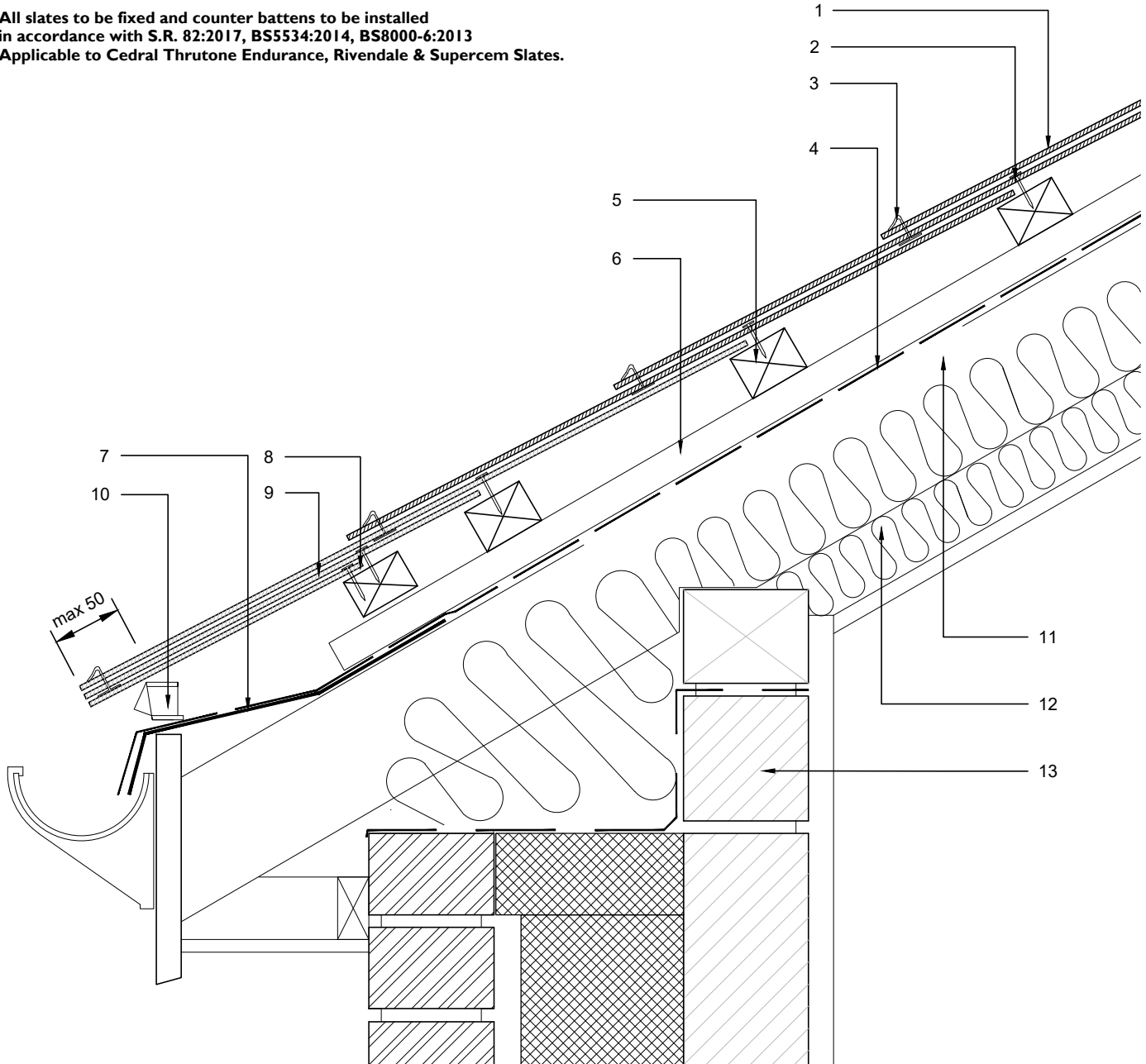
Scale NTS

This drawing is © Copyright of Etex Group. It must not be reproduced or altered in any part. This information is supplied in good faith but no liability can be accepted for any loss or damage resulting from use. Cedral and logos are trademarks of Etex NV or an affiliate thereof. Any use without authorisation is strictly prohibited and may violate trademark laws.

Breather membranes (Low Resistent) Must be counter battened as per requirements of BS 5250:2011, See BS 5534, S.R. 82:2017 for best code of practice

Rev. ...

**All slates to be fixed and counter battens to be installed in accordance with S.R. 82:2017, BS5534:2014, BS8000-6:2013
Applicable to Cedral Thrutone Endurance, Rivendale & Supercem Slates.**



Notes and specifications.

1. CEDRAL fibre cement slates, alternating slate and slate and a half on each course.
2. CEDRAL 30 x 2.65mm Copper nails. (2 No. per slate)
3. CEDRAL Copper disc rivets. (See CEDRAL fixing guide)
4. CEDRAL VENTEX Breather Membrane (LR) must be counter battened.
5. Slating battens to S.R. 82:2017, BS 5534:2014 Standard.
6. Counter Battens to S.R. 82:2017, BS 5534:2014 Standard.
7. CEDRAL UST12 Eaves Carrier to support underlay.
8. First under-eaves slate course.
9. Second under-eaves slate course.
10. CEDRAL CFV25 - 25mm Over fascia vent (above the underlay)
11. CEDRAL CCRR - Rafter roll over rafters
12. Insulation by others
13. External Cavity Wall

For further information, please contact;

Website: www.cedral.world

Email: support.ireland@etexgroup.com

Tel: +.353 (059) 8631316.

Etex Ireland Ltd. Kilkenny Road, Athy, Ireland R14 VN84.