



PLANNING & APPLICATION UNI-RIVET MANUAL

Disclaimer

The information in this manual is by no means exhaustive. This document has been developed to assist with the correct preparation and installation of EQUITONE panels. For full and detailed information about storage, handling, preparation, and design and installation requirements of EQUITONE, refer to EQUITONE Planning and Application Guide and other available EQUITONE relevant technical documents.

Refer to EQUITONE Material Safety Data Sheets (MSDS) or Safety Information Sheets (SIS) for more information about health and safety, including common hazards associated with working with EQUITONE, and measures to minimise risk.

The information in this document is correct at the time of issuing. However, due to our committed program of continuous material and system development we reserve the right to amend or alter the information contained in this document without prior notice. Please contact your local EQUITONE sales organisation or visit www.equitone.com to ensure you have the most current version.

This document is supplied in good faith and no liability can be accepted for any loss or damage resulting from its use. Images and construction details contained in this document are not to a specific scale, and are indicative and for illustration purposes only.

This document is protected by International copyright laws. Reproduction and distribution in whole or in part without prior written permission is strictly prohibited. EQUITONE and logos are trademarks of Etex NV or an affiliate thereof. Any use without authorisation is strictly prohibited and may violate trademark laws.

TABLE OF CONTENTS

TOOLS & ACCESSORIES

Page 3

STORAGE & HANDLING

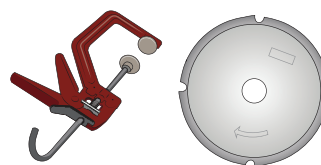
Page 4-6



PANEL CUTTING

Tools, Page 7

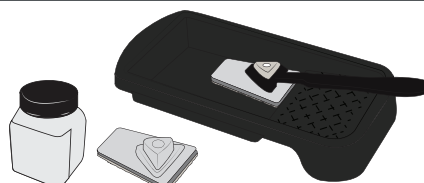
Panel cutting, Page 8



PANEL EDGE TREATMENT

Tools, Page 9

Panel edge treatment, Page 10-12



PANEL DRILLING

Tools, Page 13

Panel drilling, Page 14-15

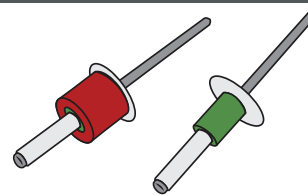
Panel drilling EQUITONE [linea], Page 16-17



UNI-RIVET FIXING

Tools, Page 18

UNI-Rivet fixing, Page 19-22



VENTILATION

Page 23



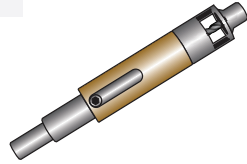
INSTALLATION

Page 24-26

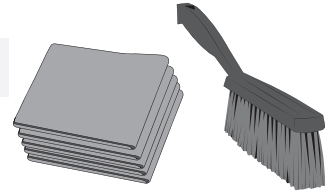


TOOLS & ACCESSORIES

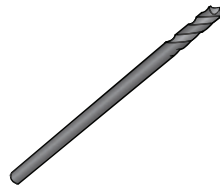
Centralising Tool



EQUITONE
Care Toolkit



Centralising Tool
Replacement
drill bit
Ø4.1mm



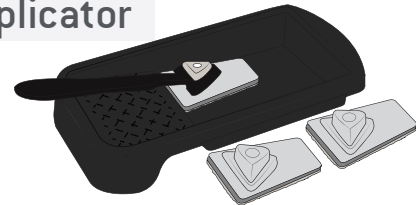
*LUKO Edge
Sealer



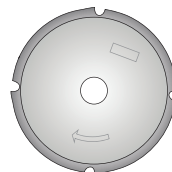
Rivet Setting
Tool



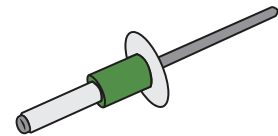
*LUKO Applicator



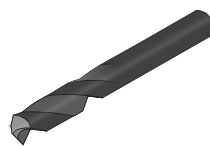
EQUITONE
Fibre Cement
Saw Blade



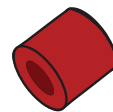
UNI-Rivet



EQUITONE
Fibre Cement
Drill Bit
Ø11mm



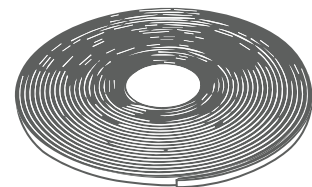
UNI-Rivet
Red/STOP
Spacer



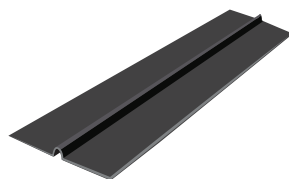
EQUITONE
[linea]
Milling Tool
Ø11mm



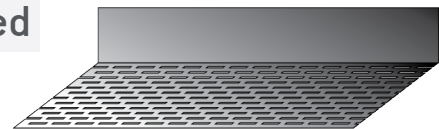
Foam Tape



Aluminium
Horizontal
Joint Profile

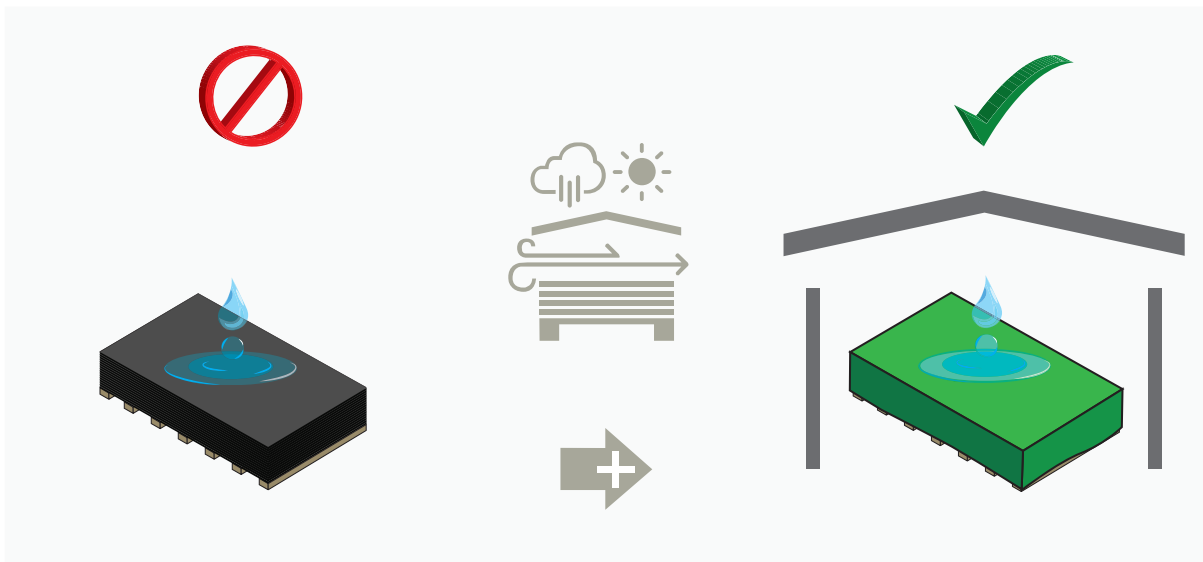
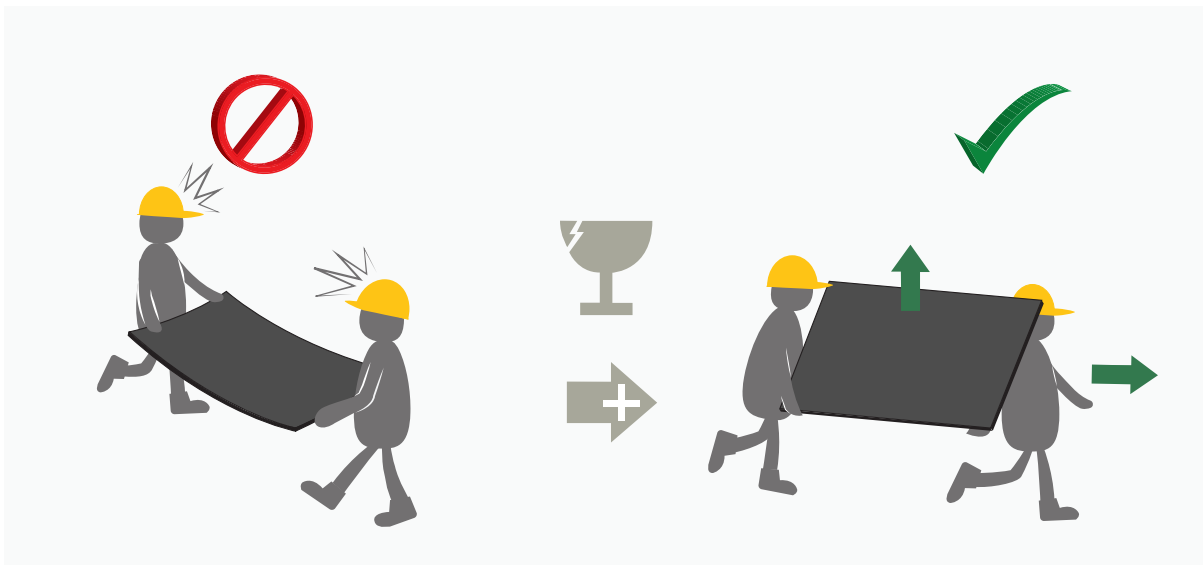
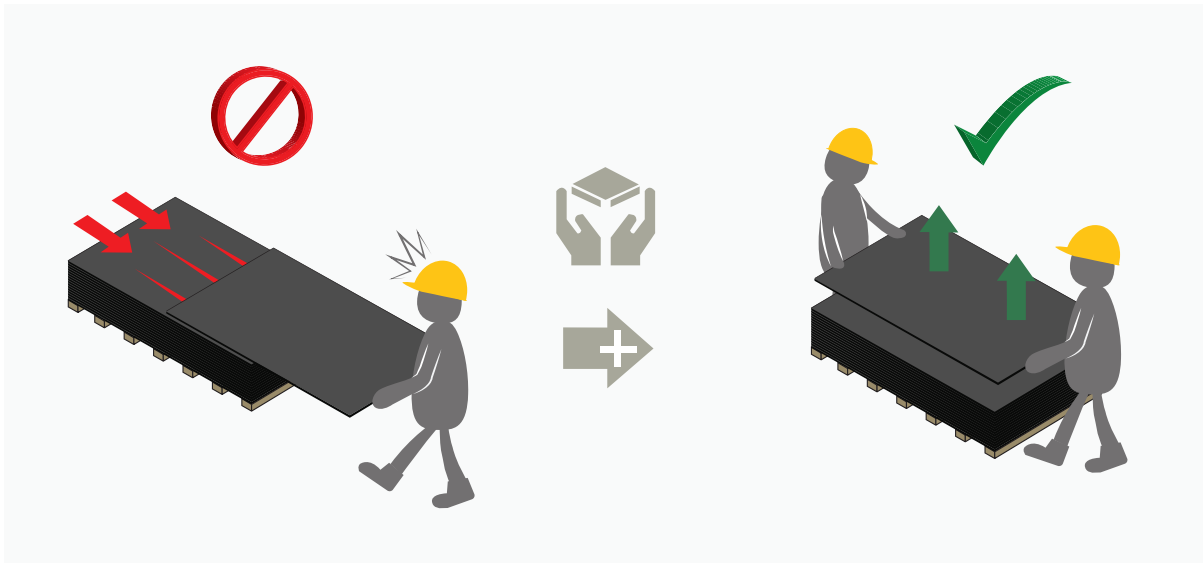


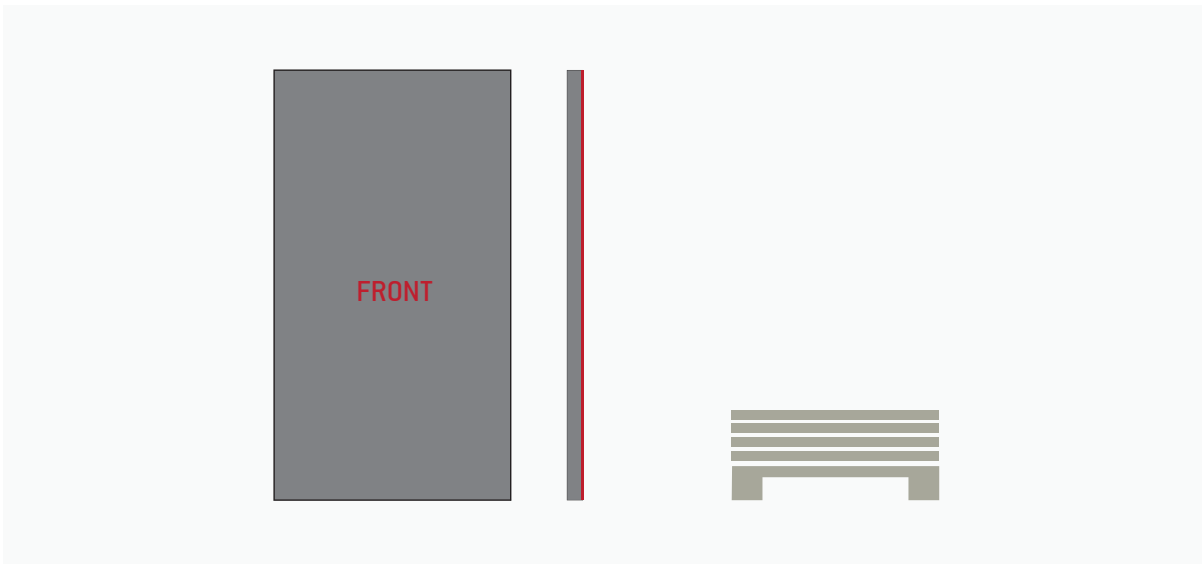
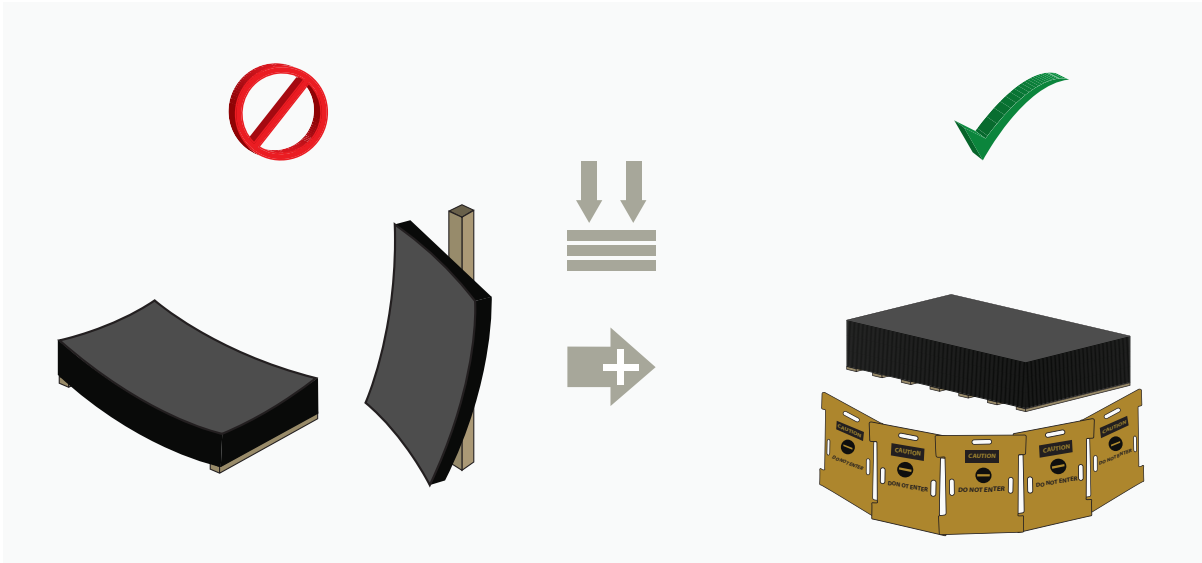
Aluminium
Perforated
Closure



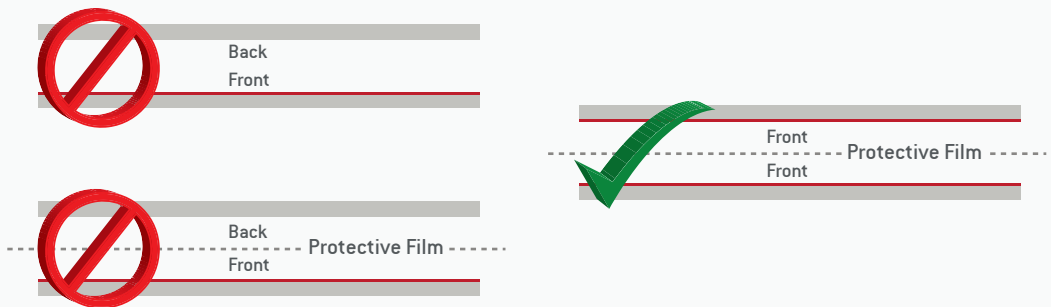
*Only for EQUITONE [natura] PRO & [natura]

STORAGE & HANDLING

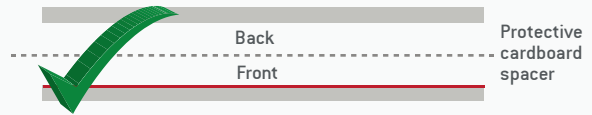
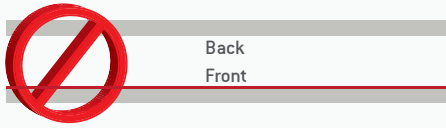




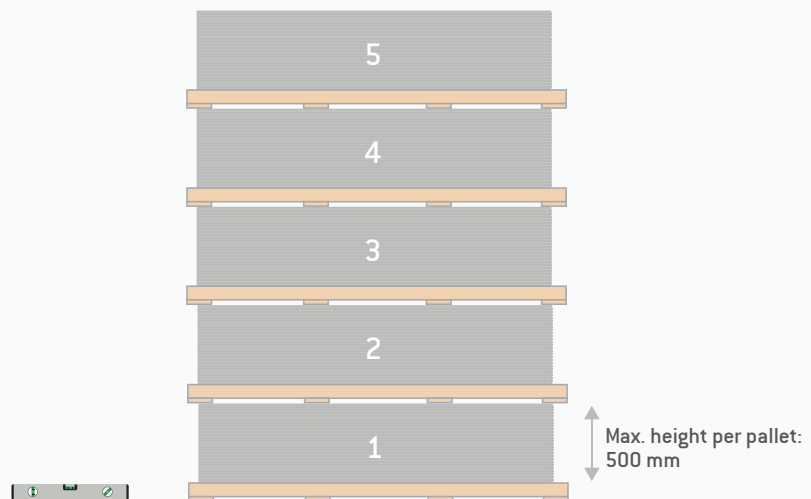
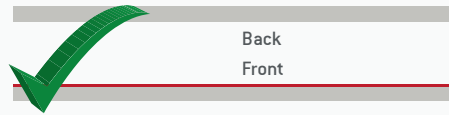
EQUITONE [natura], [natura] PRO, [pictura], & [textura]



EQUITONE [linea]

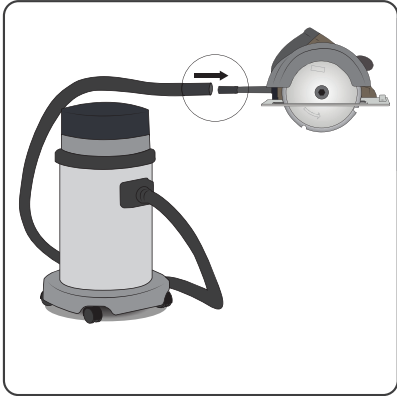


EQUITONE [tectiva] & [lunara]

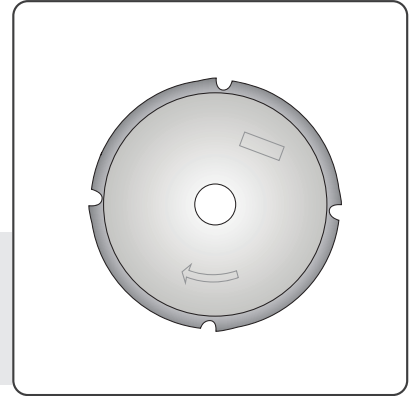


PANEL CUTTING

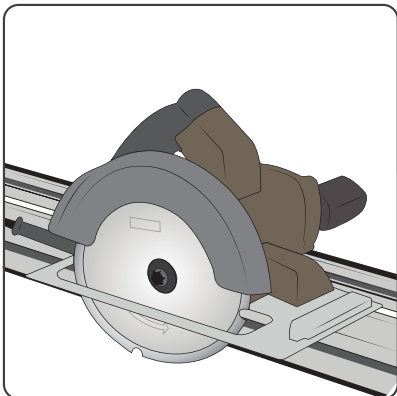
TOOLS



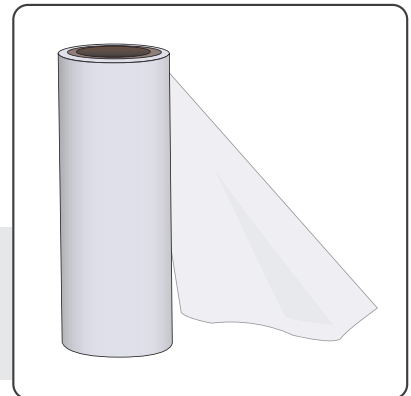
Dust extraction system



EQUITONE fibre cement saw blade



Circular saw & Guide rail



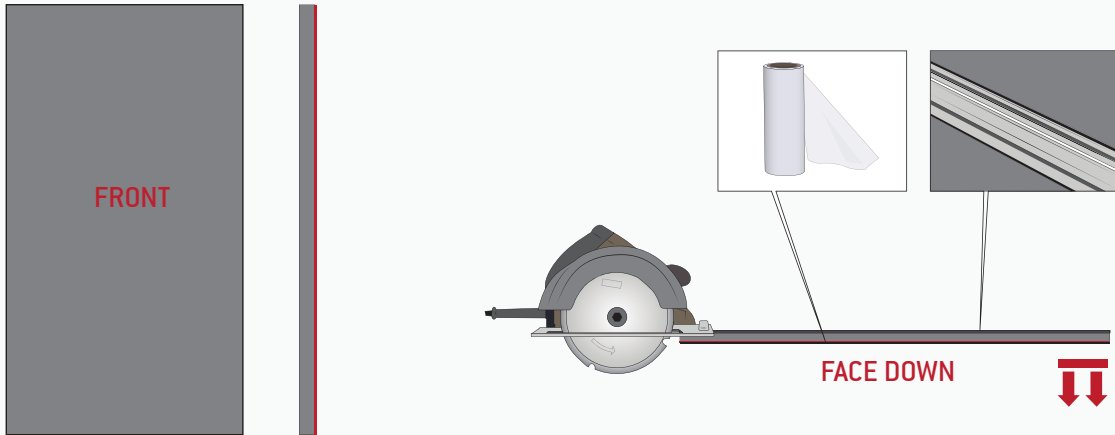
Styrofoam film blade



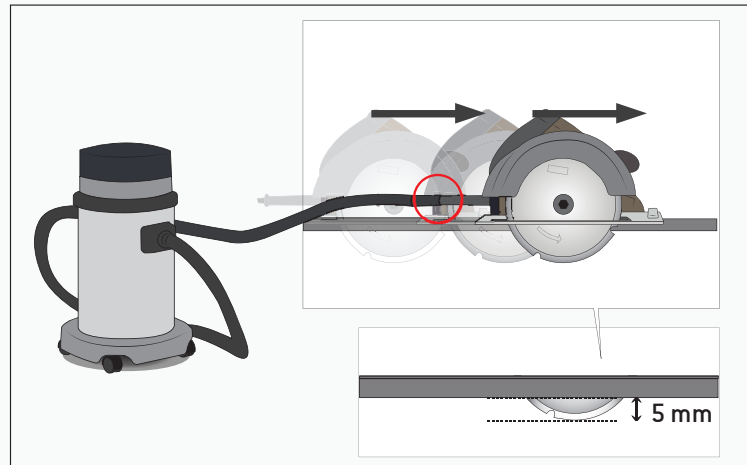
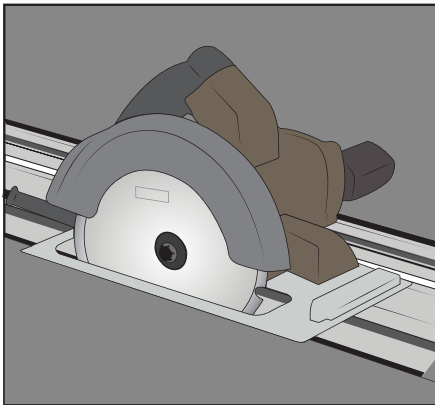
Stable Work Table With Sacrificial Board blade

PANEL CUTTING

1

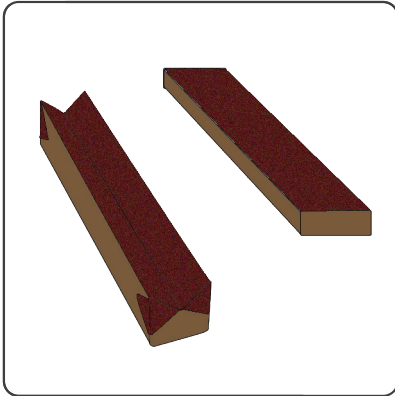


2



PANEL EDGE TREATMENT

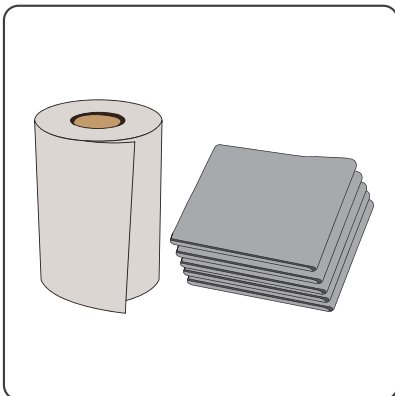
TOOLS



Sandpaper
(80 Grit)



Soft bristle
brush



Micro fibre cloth,
paper towel

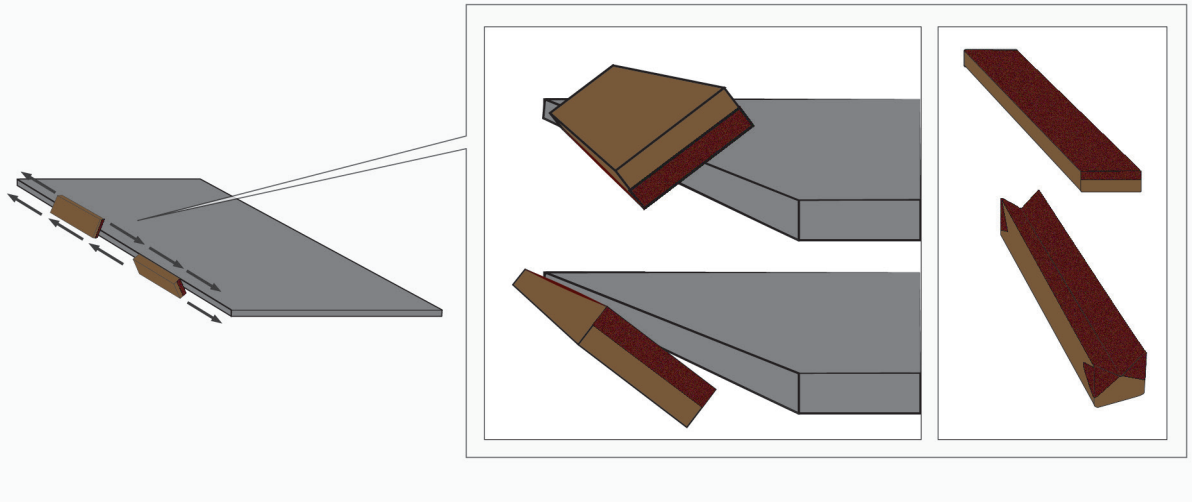


LUKO edge sealer
& applicator

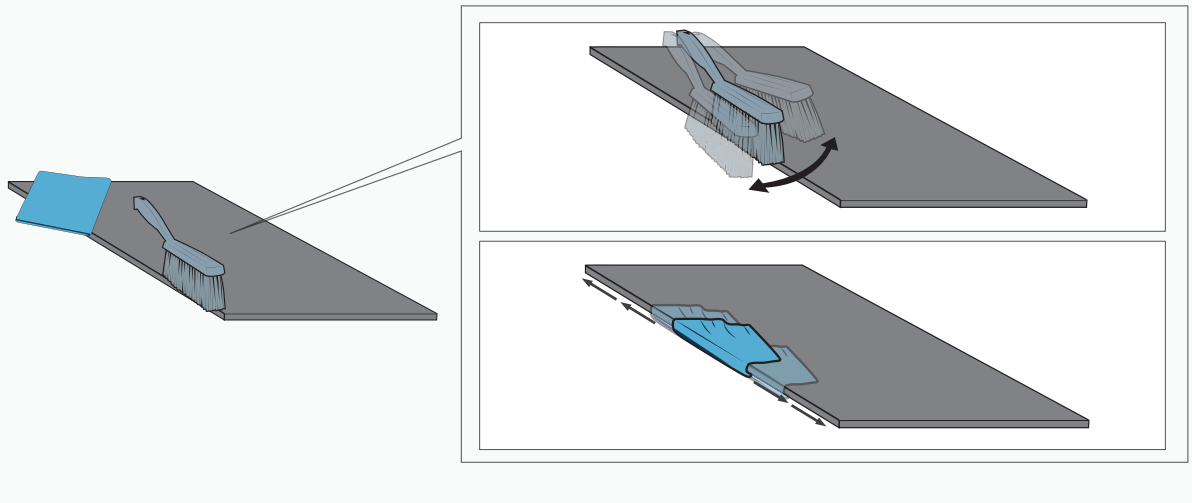
*For EQUITONE
[natura] & [natura] PRO

PANEL EDGE TREATMENT

1

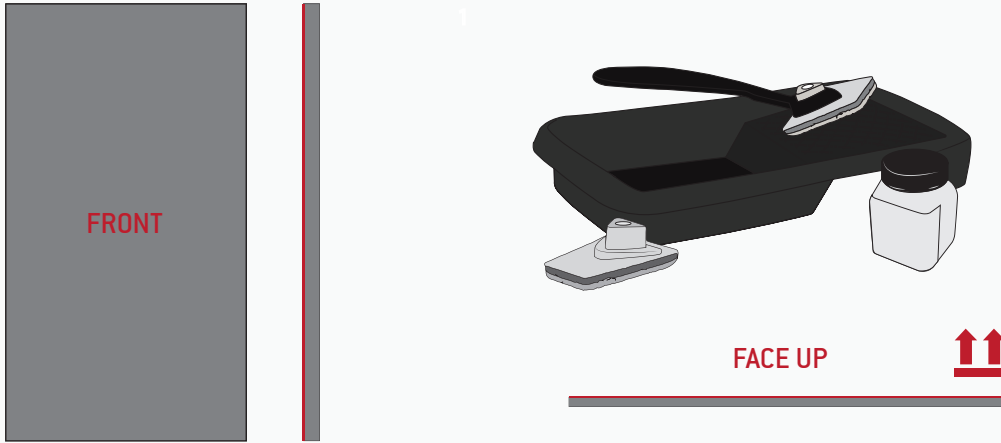


2

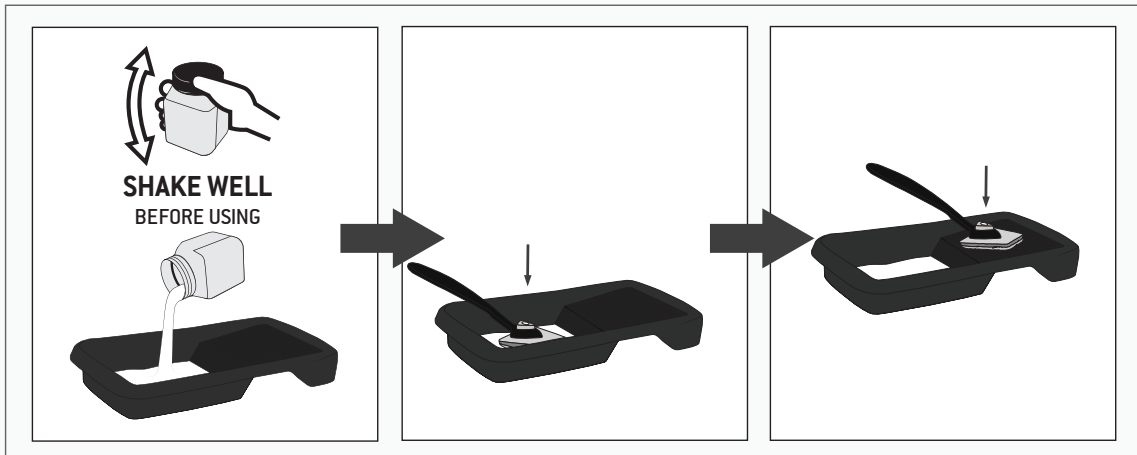


Steps 3 to 7: Only applicable to EQUITONE [natura] & [natura] PRO

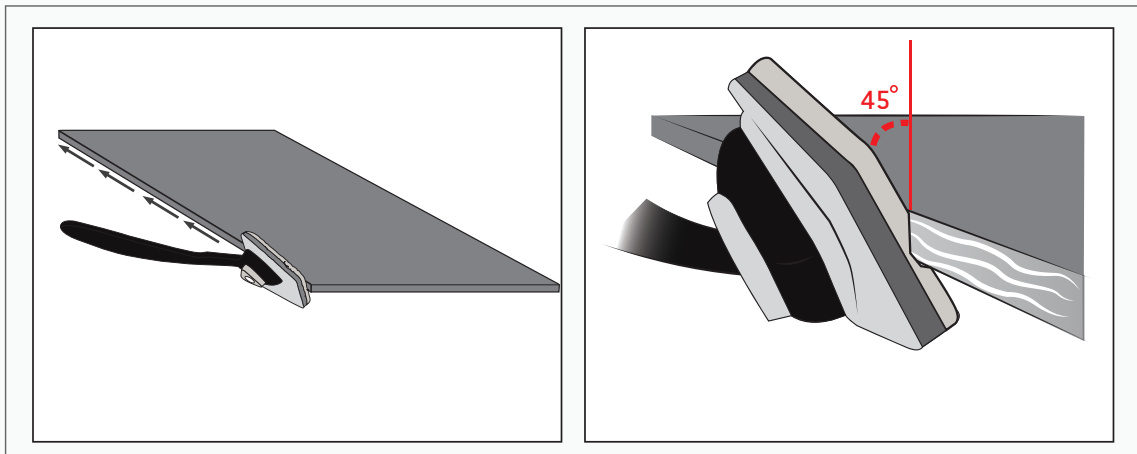
3



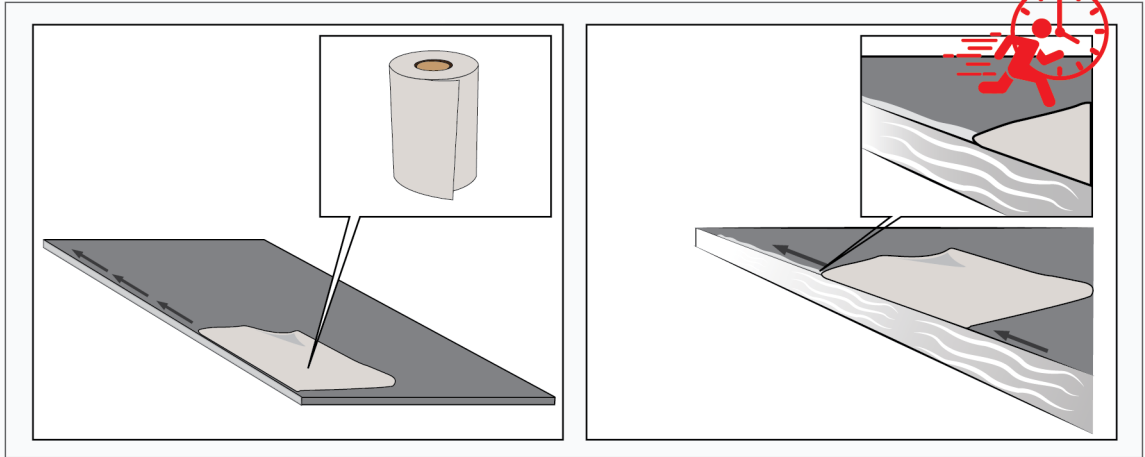
4



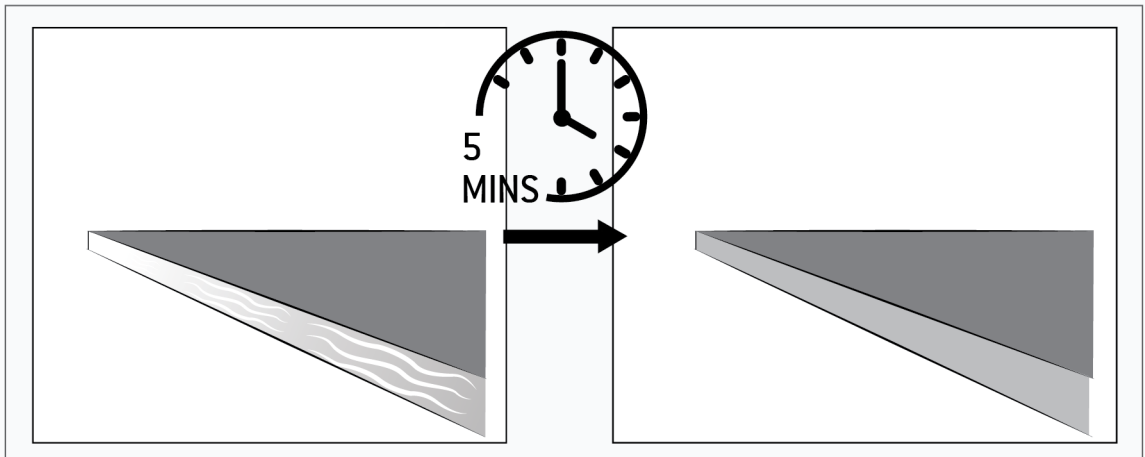
5



6

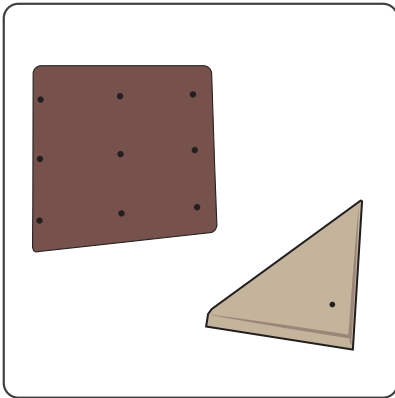


7



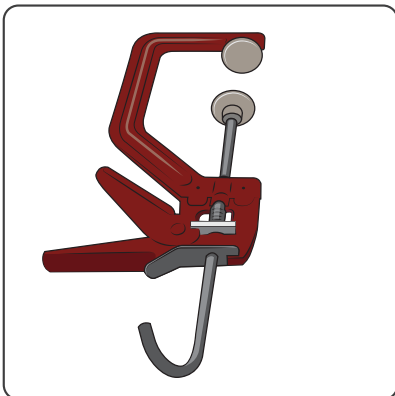
PANEL DRILLING

TOOLS



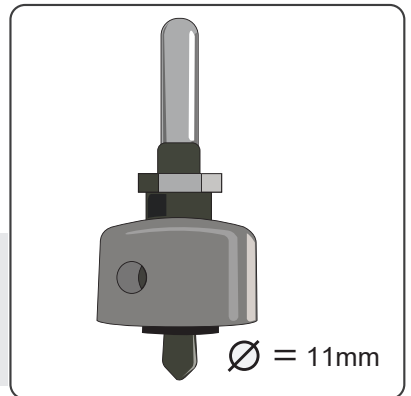
Hole Template
(Optional)

EQUITONE Drill Bit
11mm Diameter



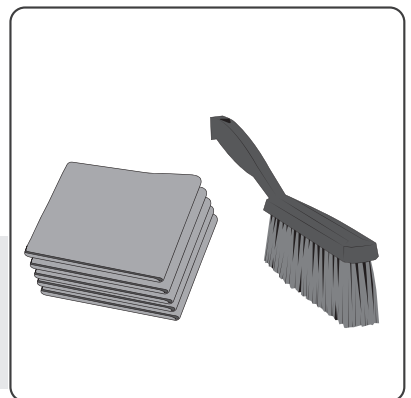
G Clamp
(Optional)

EQUITONE [linea]
milling tool
11mm Diameter

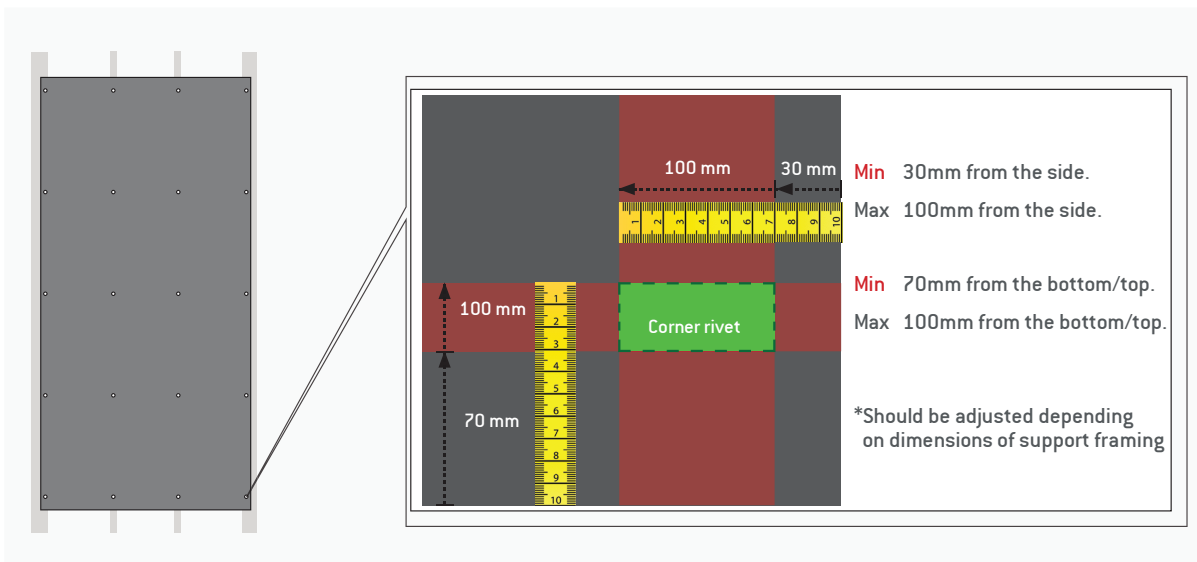
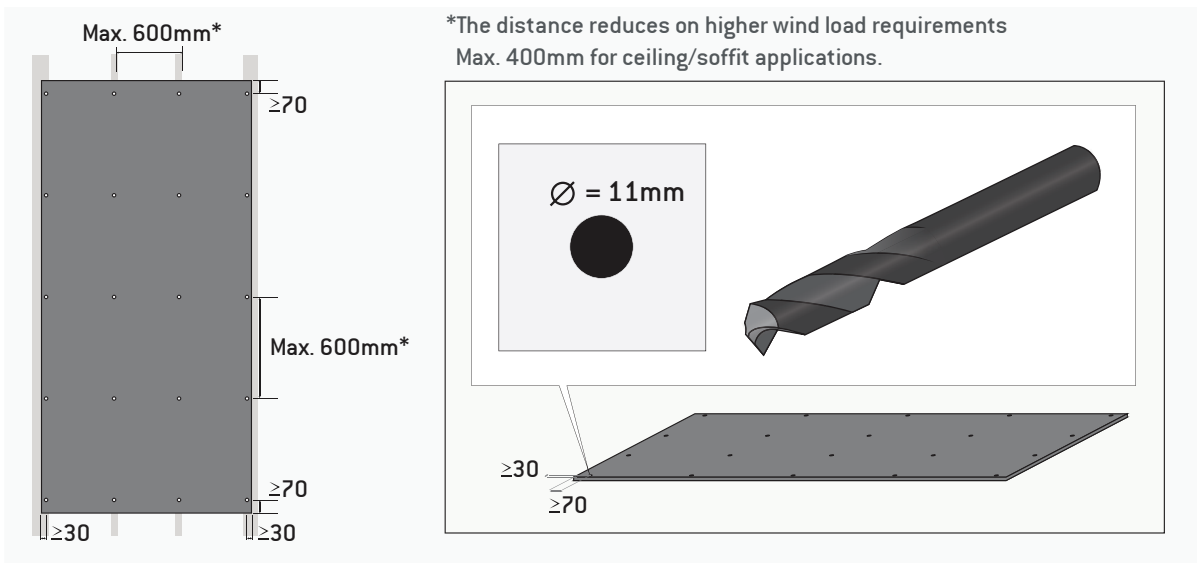
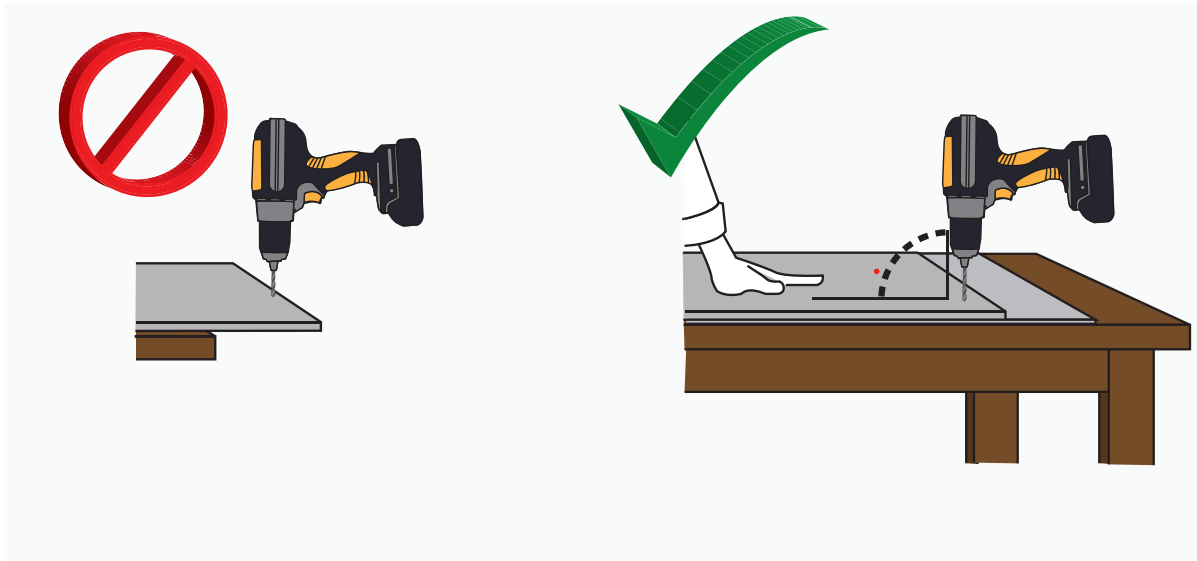


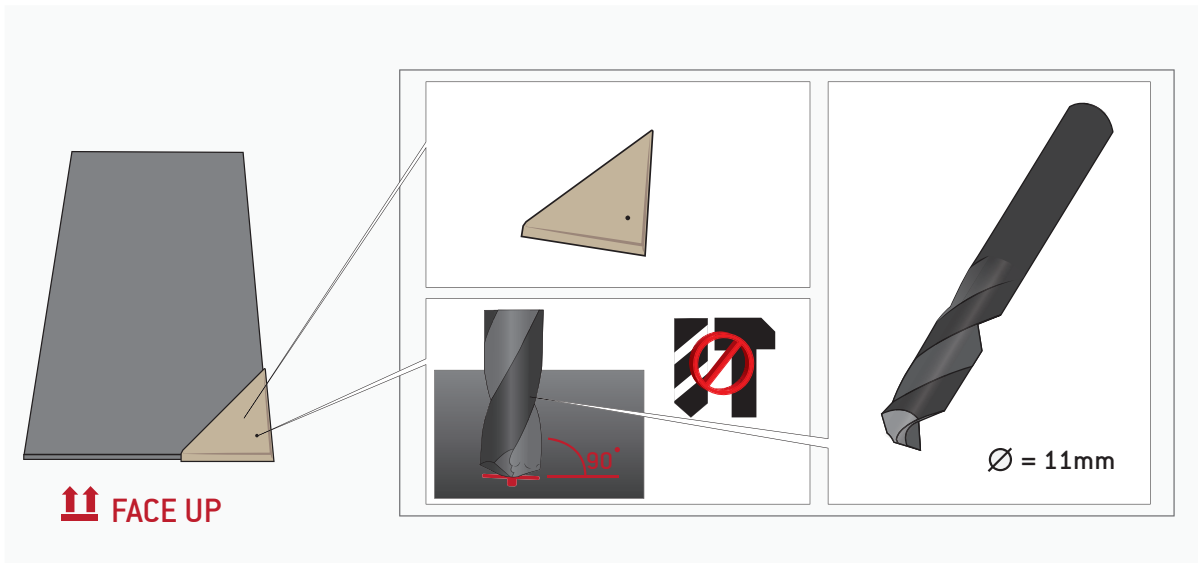
Stable Work Table
With Sacrificial
Board/Fibre Cement

Micro Fibre Towel
& Brush



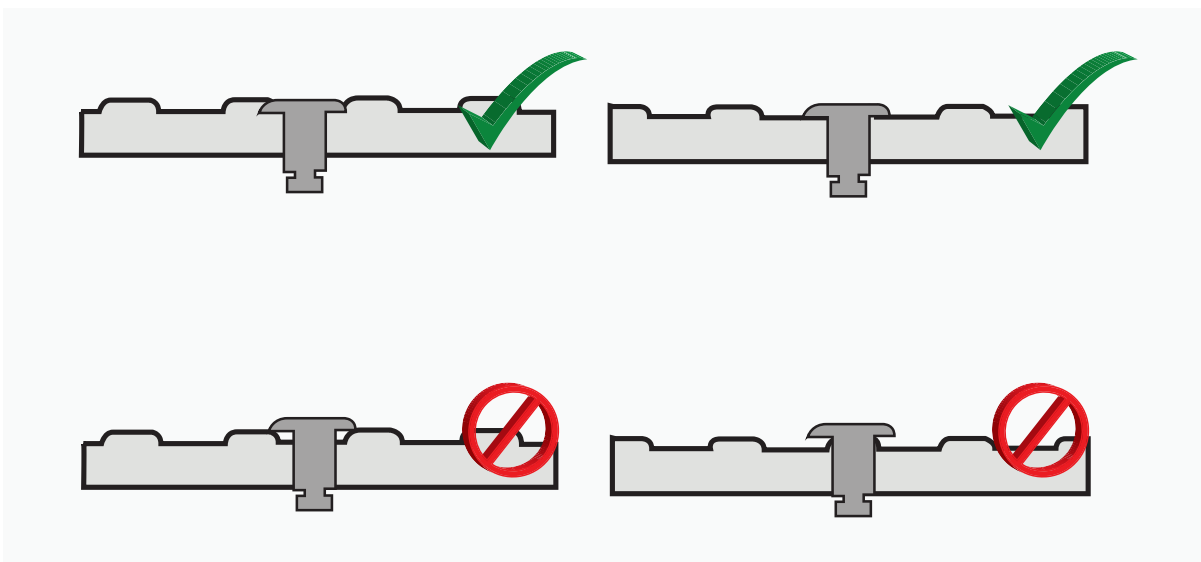
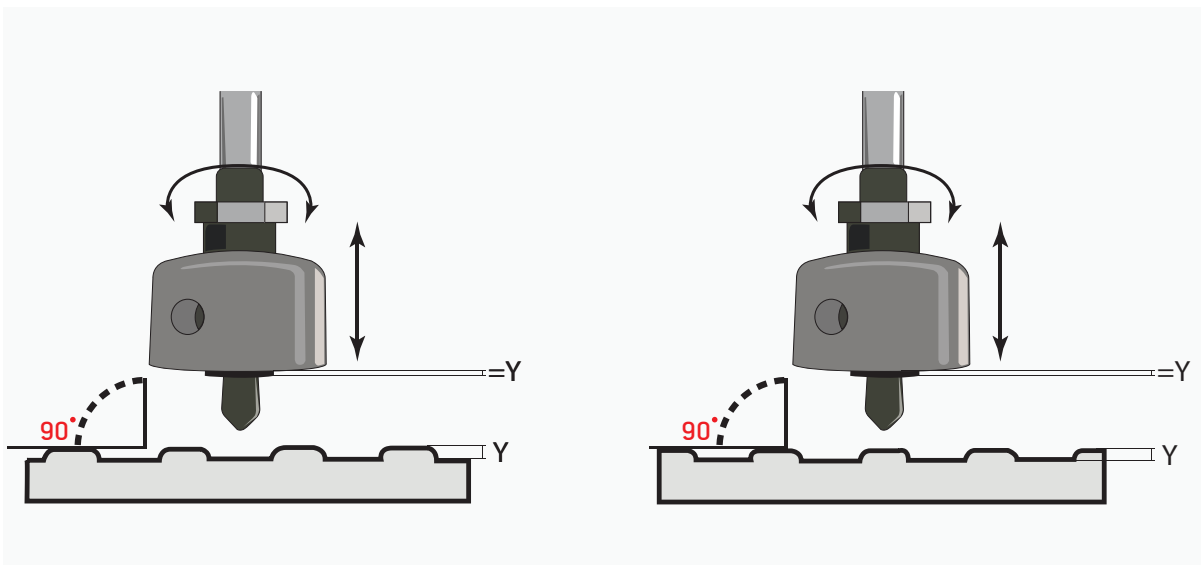
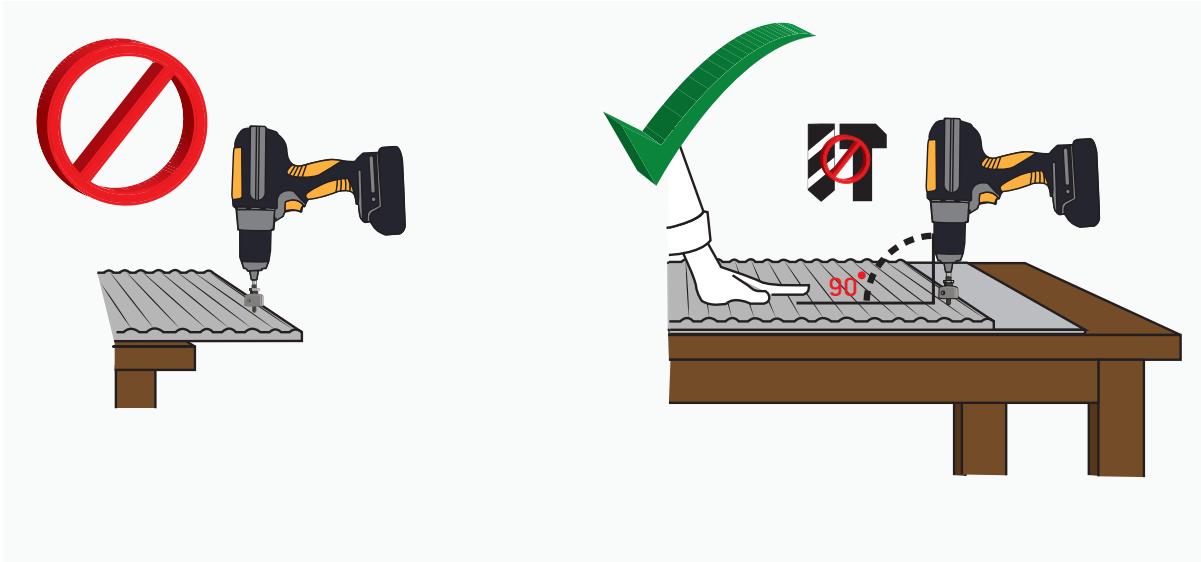
PANEL DRILLING

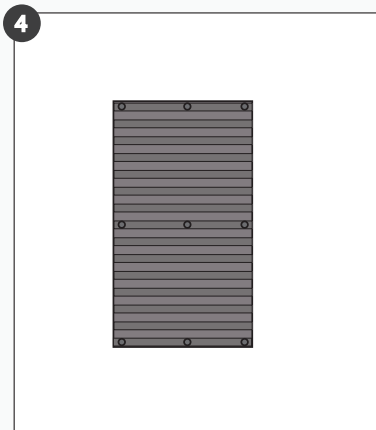
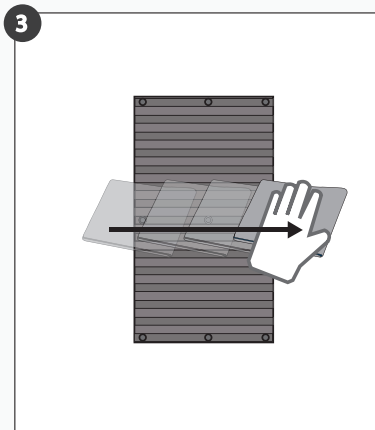
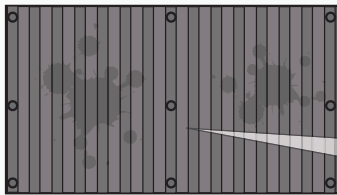
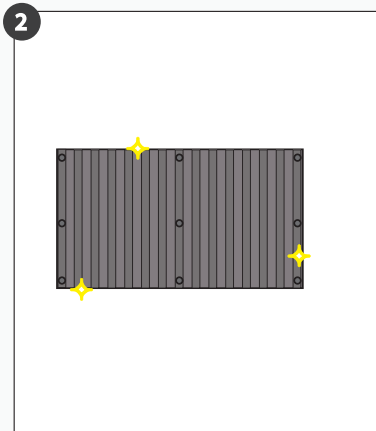
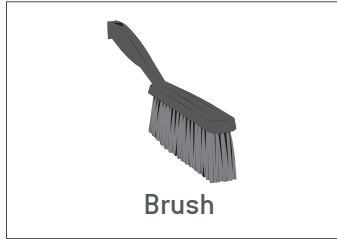
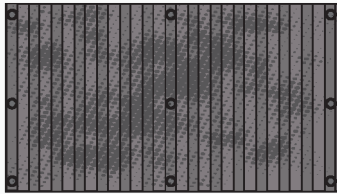




PANEL DRILLING

EQUITONE [linea]



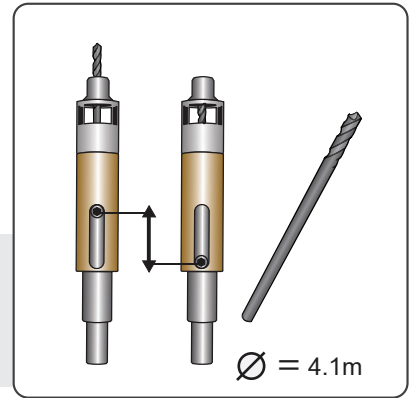


UNI-RIVET FIXING

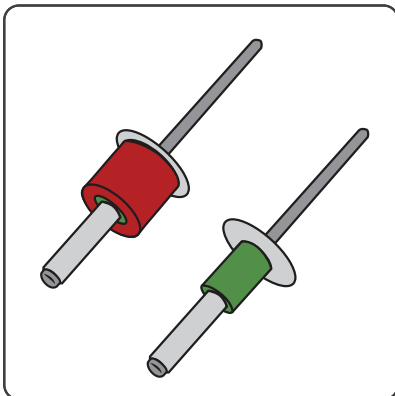
TOOLS



Cordless Drill



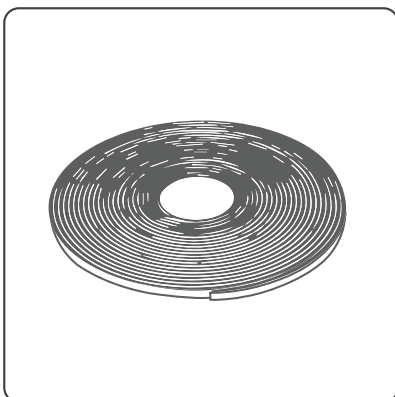
Centralising Tool



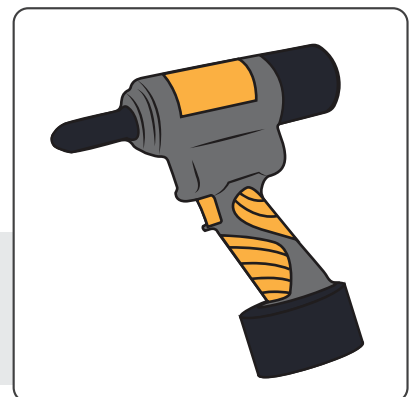
UNI-Rivets



Rivet Setting Tool

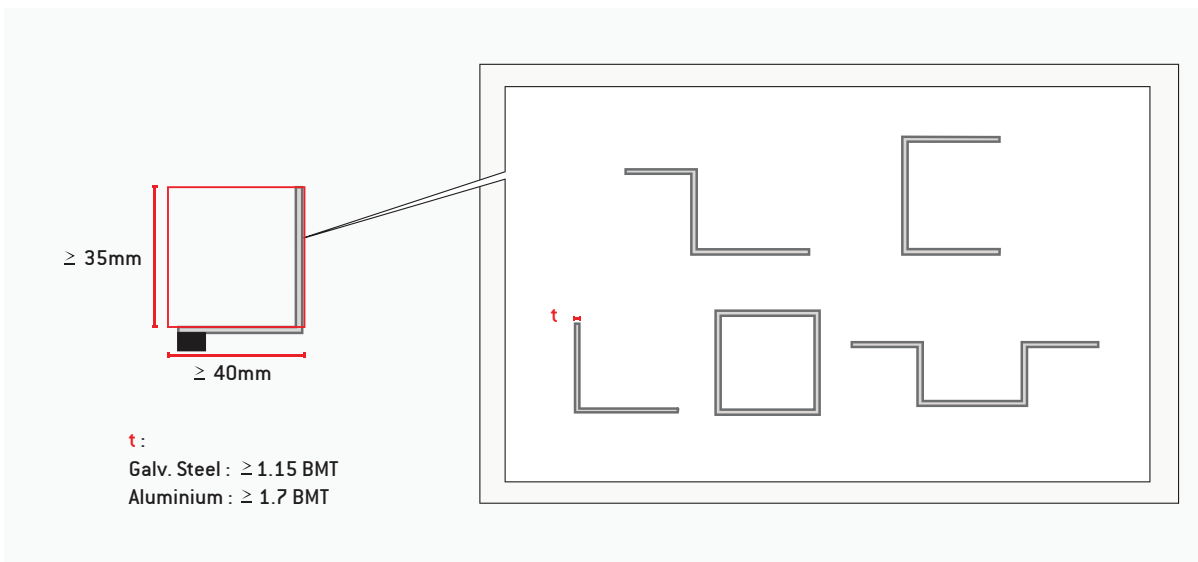
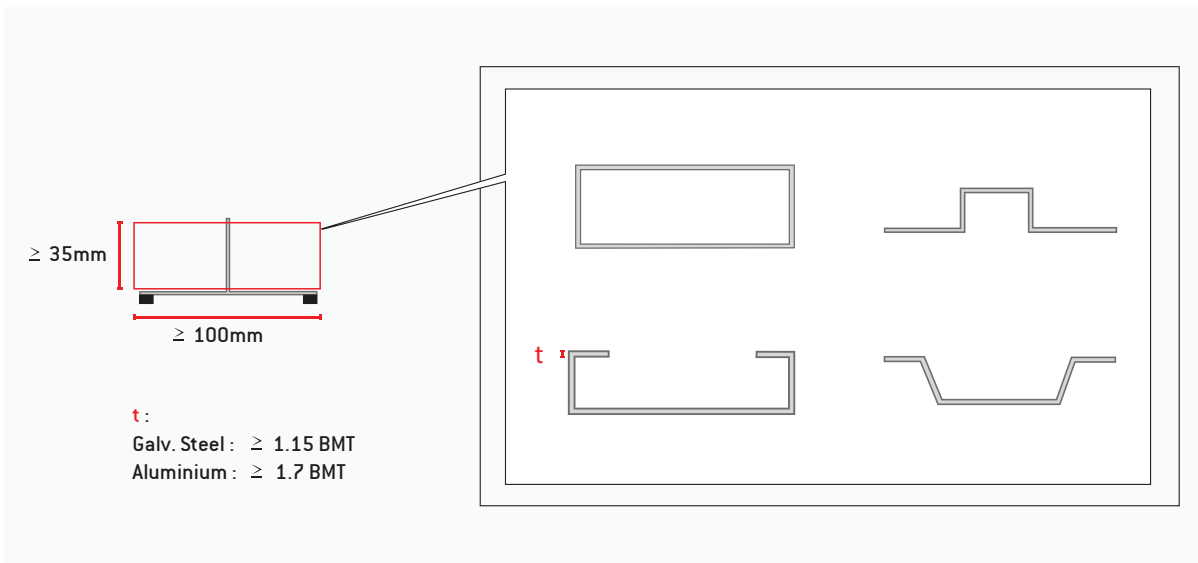
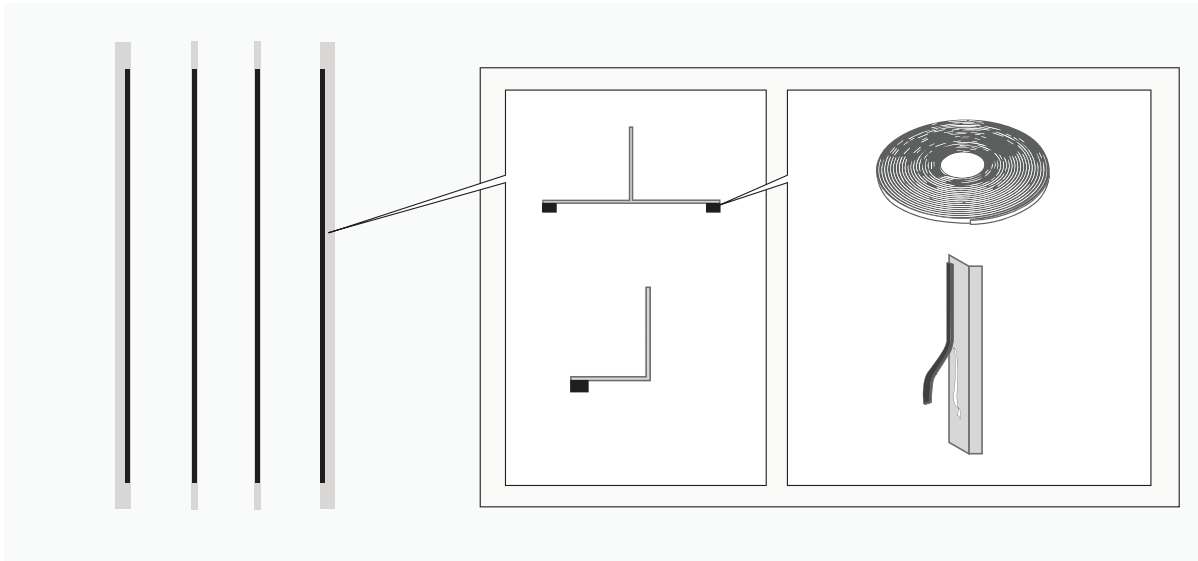


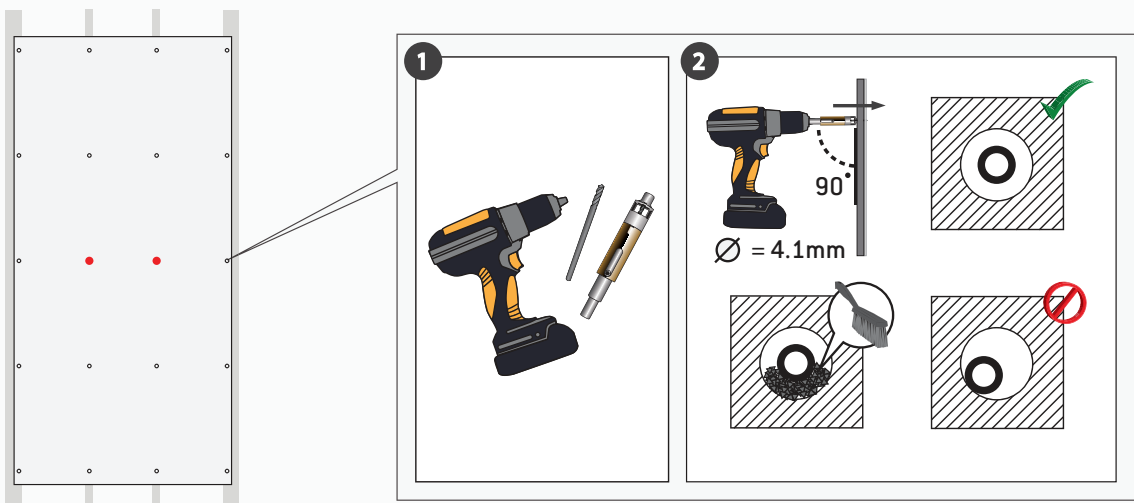
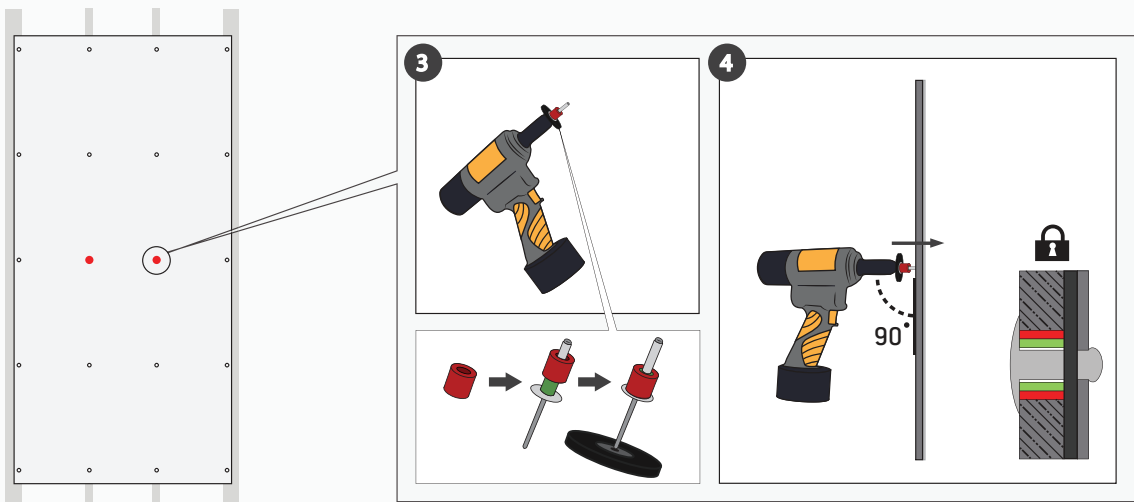
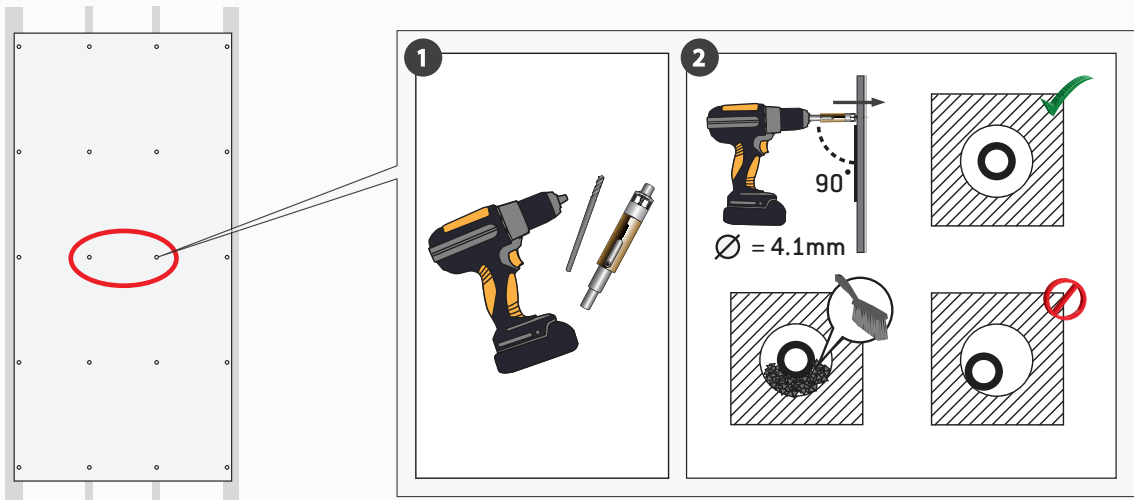
Foam Tape

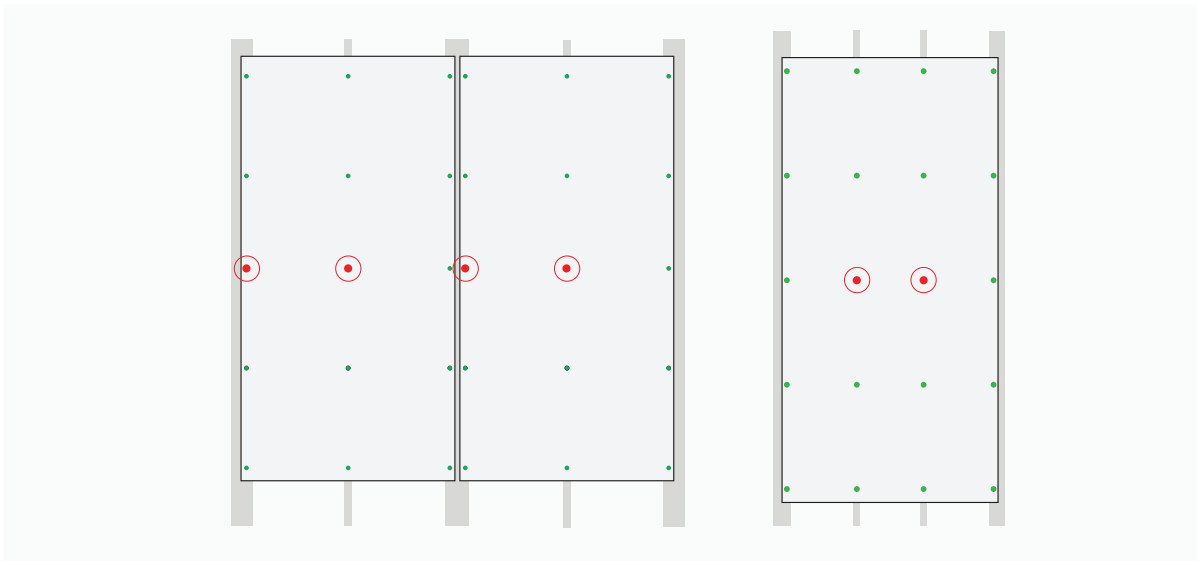
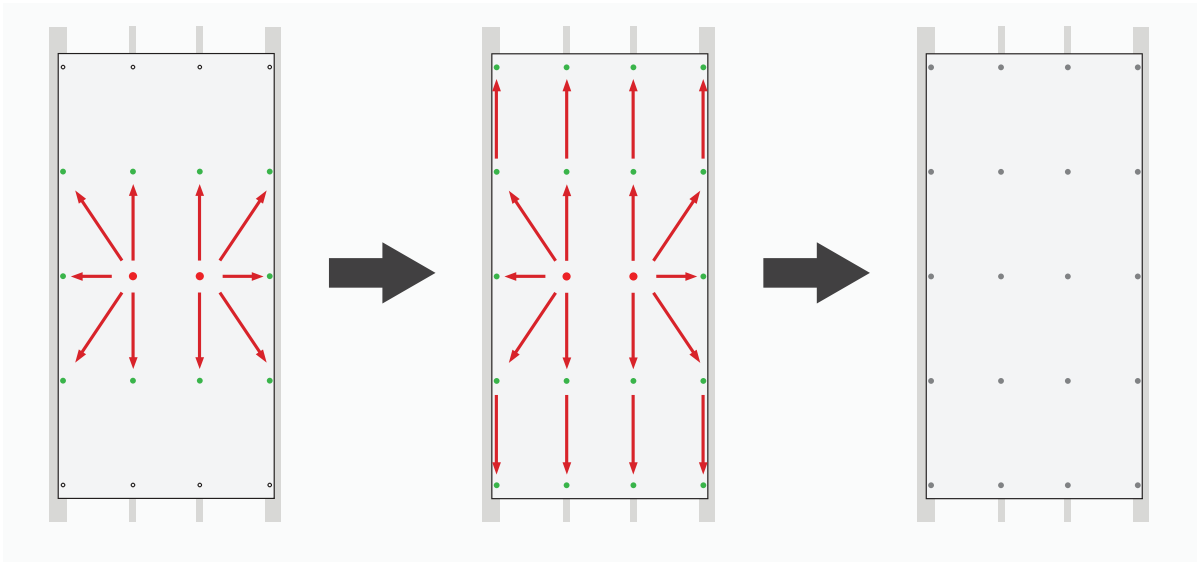
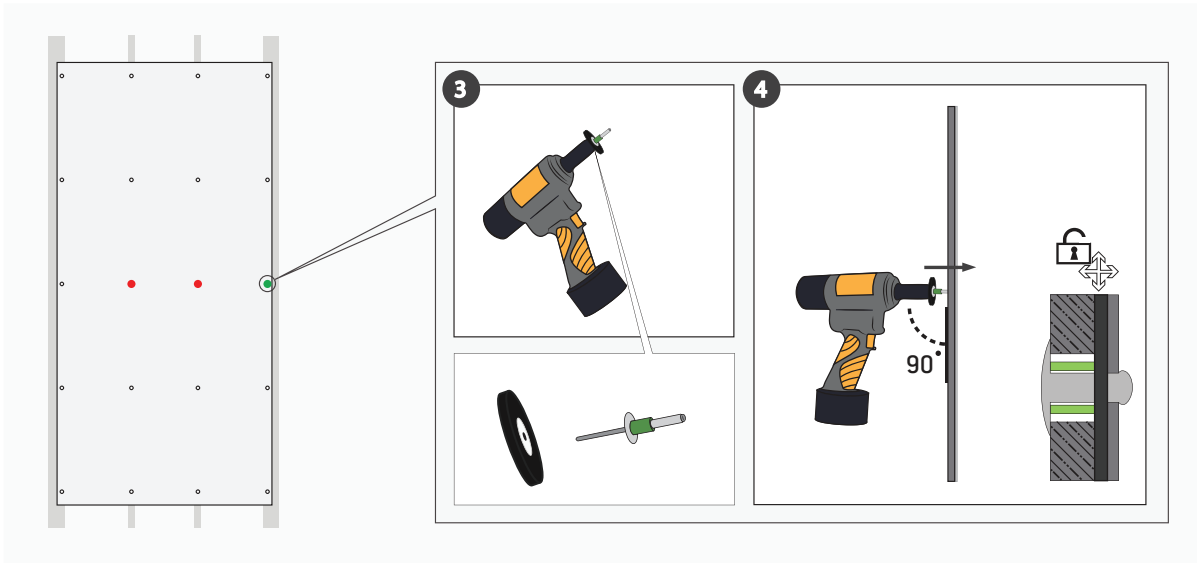


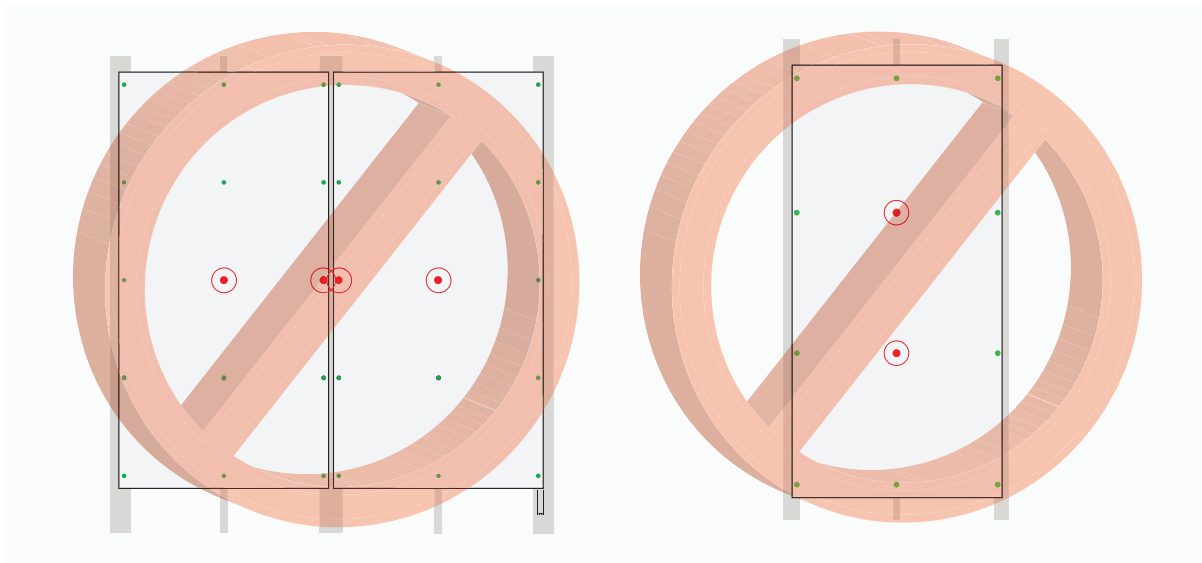
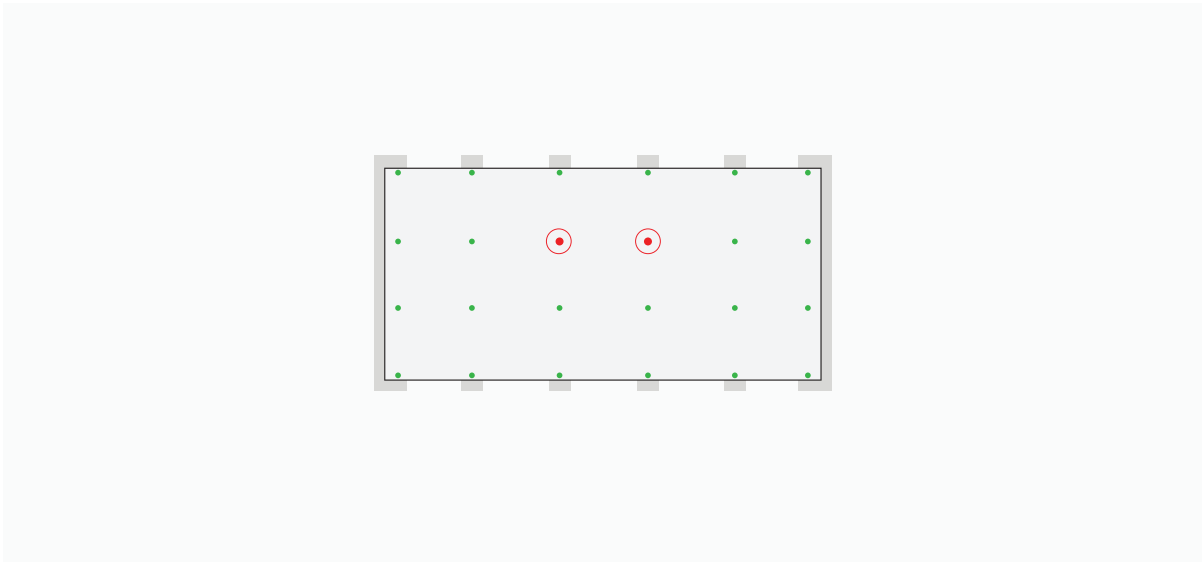
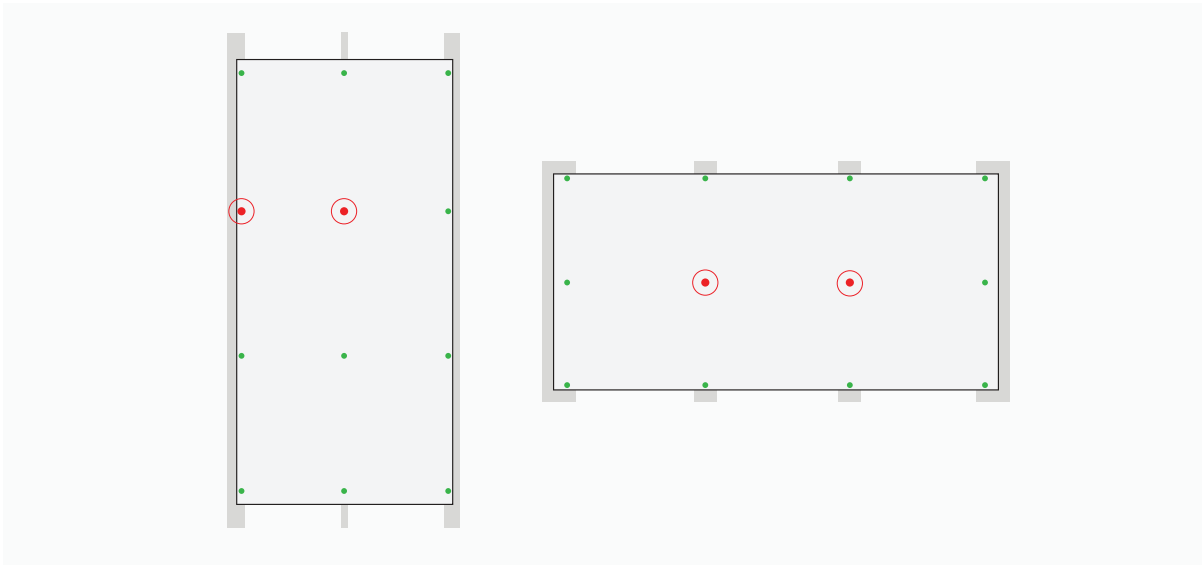
Rivet Gun

UNI-RIVET FIXING

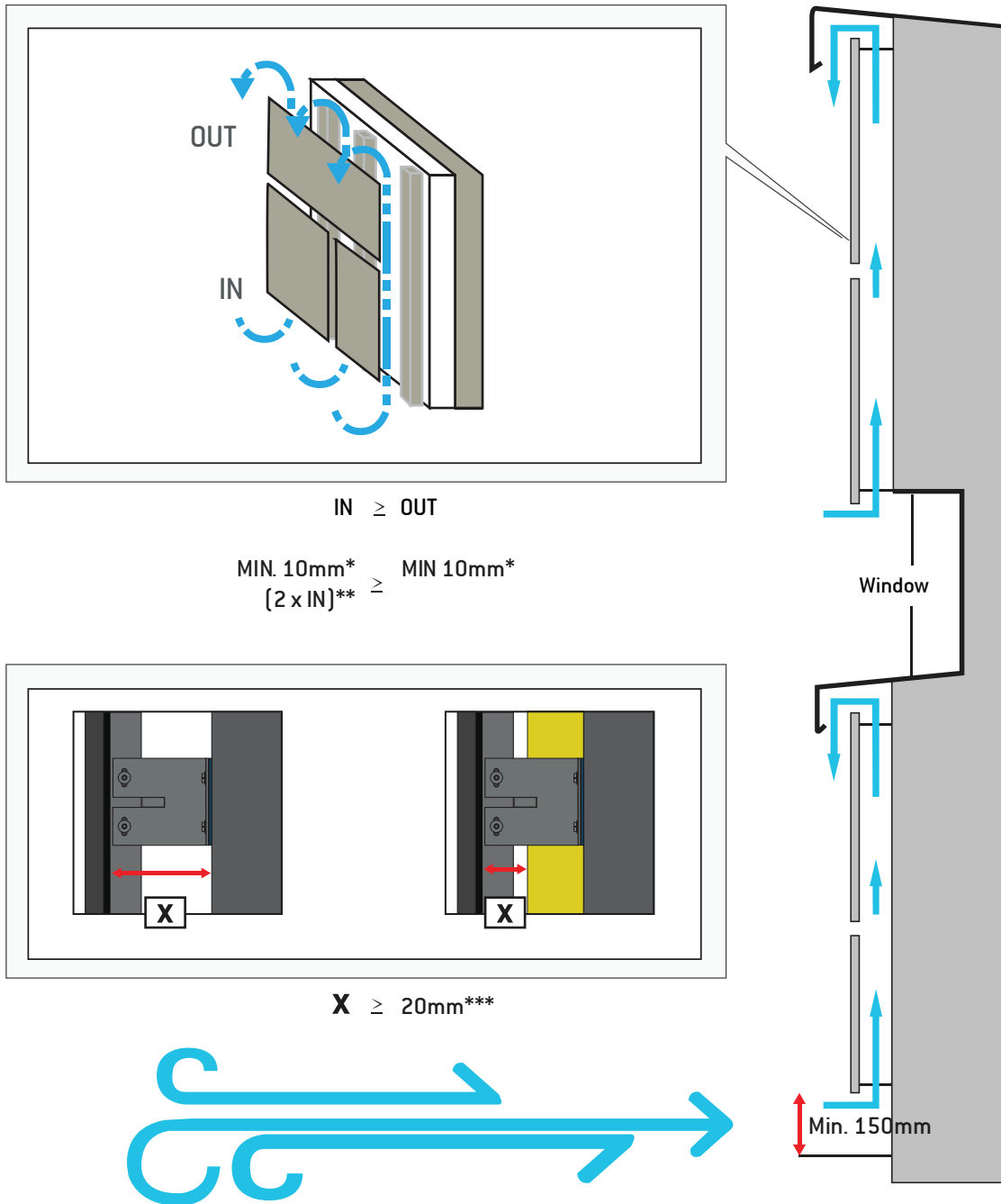








VENTILATION

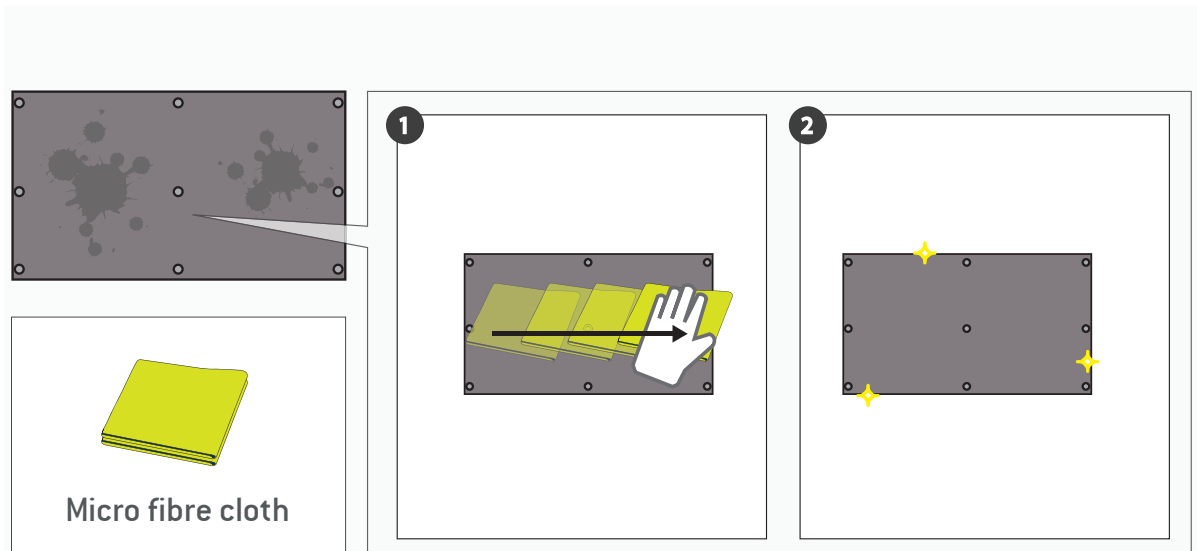
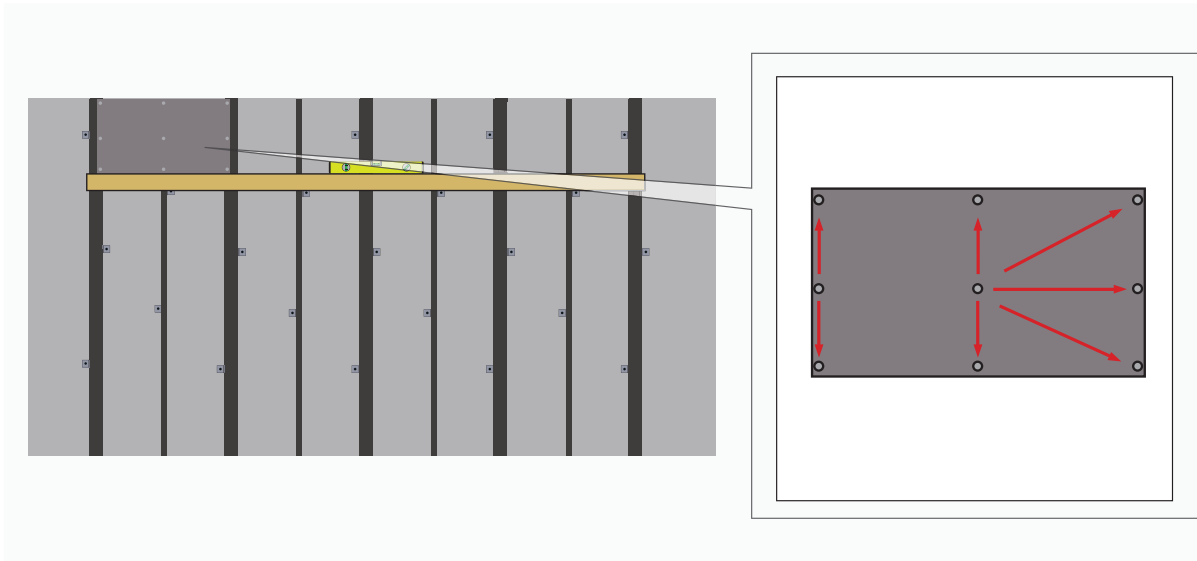
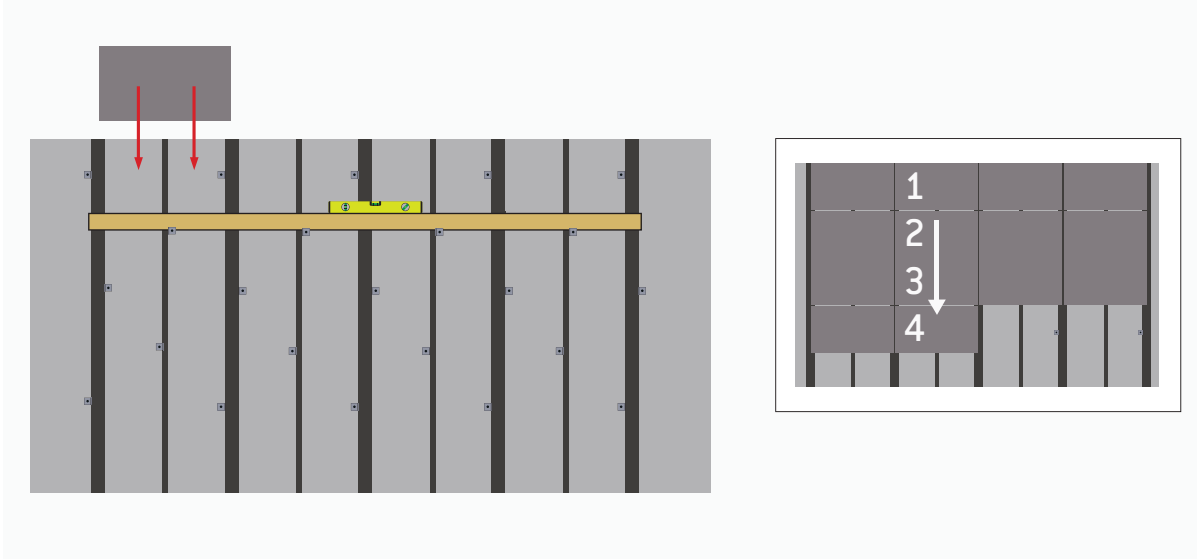


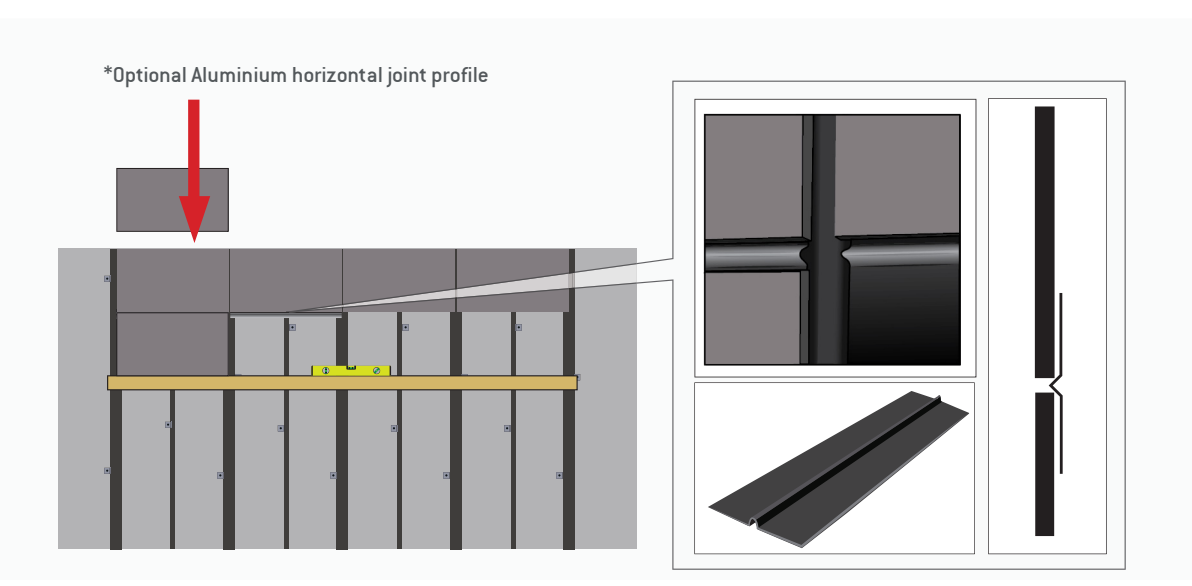
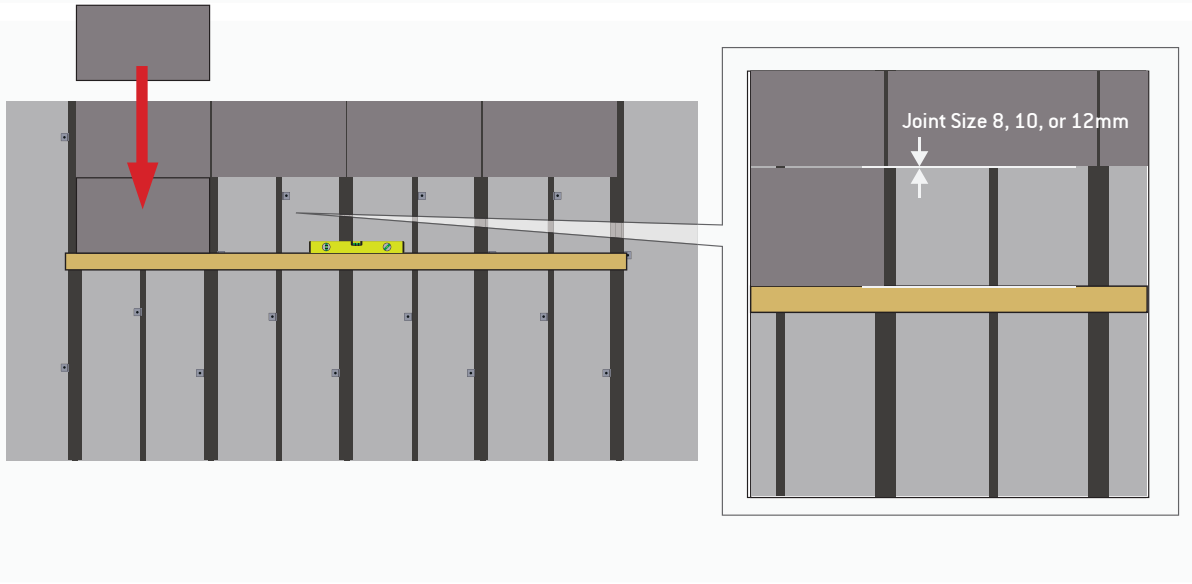
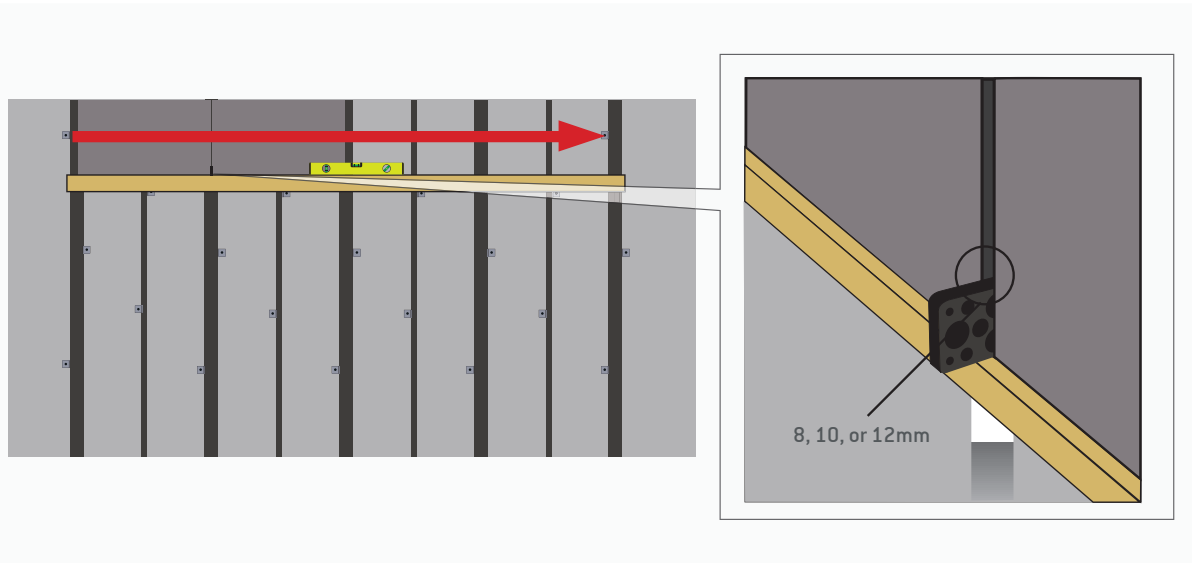
* Refer to other relevant EQUITONE technical documents for the recommendations on the minimum sizes of ventilation inlets and outlets as well as minimum ground clearances.

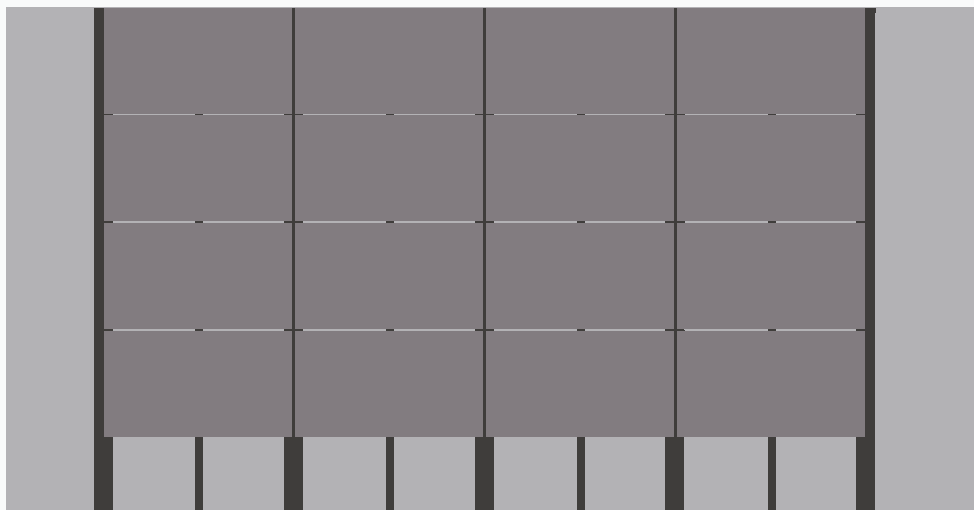
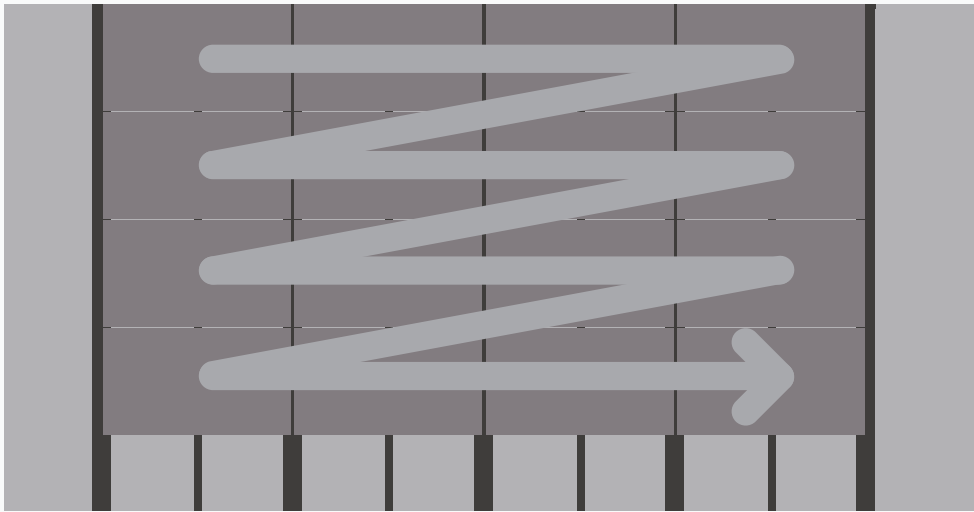
** If perforated closure profile is used.

*** Cavity space X increases as the height of the facade & vertical distance IN & OUT increases.

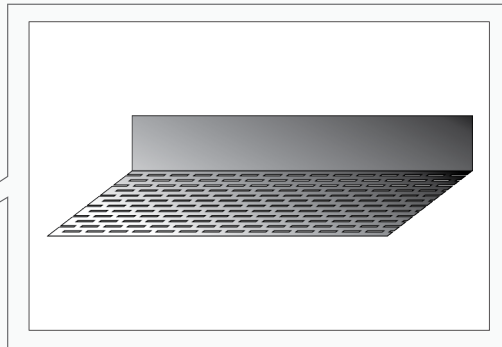
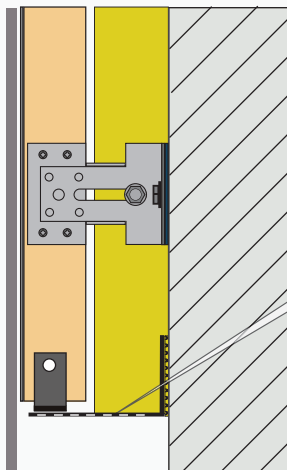
INSTALLATION





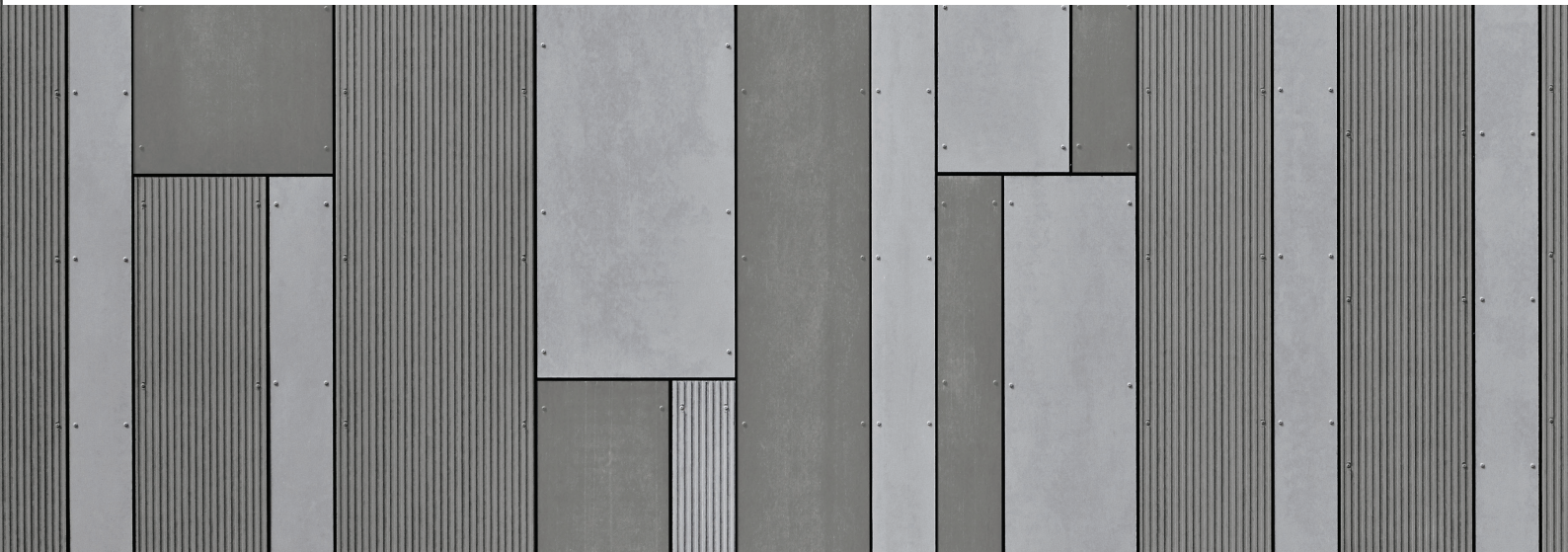


*Optional Aluminium perforated closer







 **EQUITONE**
Fibre cement facade materials



equitone.com

Follow us:

-  [equitone facade](#)
-  [equitone facade](#)

