



EQUITONE system

construction details

EQUITONE with face fixings on metal support frame

New Zealand

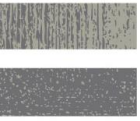


Table of contents

General information	3
Ventilation	4
Components	5
EQUITONE façade system with pliable membrane	
Single layer top hat construction	8
Double layer top hat construction	26
Aluminium bracketry construction	44
EQUITONE façade system with rigid air barrier	
Single layer top hat construction	62
Double layer top hat construction	80
Aluminium bracketry construction	98



General information

This document provides generic construction details for EQUITONE façade systems with face fixings on metal frame to assist with the design of EQUITONE façade.

This document is not designed to serve as an installation guide, and is intended to be used in conjunction with 'EQUITONE Design and Installation Guide_face fixings on metal frame' and other relevant technical and installation documents.

Construction details in this document have been independently certified for the purpose of compliance with Clause E2, External moisture, of the New Zealand Building Code within the scope of E2/VM1 and E2/VM2 for EQUITONE façade systems with the recommended pliable and rigid weather barrier, respectively, as described in the 'General components'.

The weatherproofing performance of any project specific detail or application that is different from or not included in the construction details of this document shall be evaluated by the project engineer or consultant.

Cladding support frame and its connection to substructure shall be designed by the project engineer in accordance with the relevant standards. The support frame maximum deflection under the influence of load shall be limited to $\text{Span}/250$.

The support frame, fixings, flashings and the like shall be of adequate corrosion resistance appropriate to the corrosivity category of the project location.

Flashings and capping shall be designed with respect to project wind loading, relevant standards and regulations.

Construction details contained in this document are not to a specific scale, and are for illustration purposes only.

The information in this guide is comprehensive but not exhaustive, and the reader will need to satisfy themselves that the contents of this guide are suitable for their intended application. It is the responsibility of the project consultants (designer, architect, and engineers) to ensure that the information and details provided in this document are appropriate for the project.

The information in this document is correct at the time of issuing. However, due to our committed program of continuous material and system development we reserve the right to amend or alter the information contained therein without prior notice. Please contact your local EQUITONE sales organisation to ensure you have the most current version.

This document is supplied in good faith and no liability can be accepted for any loss or damage resulting from its use. All the content of this document is © Copyright of Etex Group. All rights reserved.

This document is protected by International copyright laws. Reproduction and distribution in whole or in part without prior written permission is strictly prohibited. Cedral and logos are trademarks of Etex NV or an affiliate thereof. Any use without authorisation is strictly prohibited and may violate trademark laws.

Ventilation

A ventilated façade is a kind of two stage construction, an inner structure with a protective outer skin, and the cladding panel or rainscreen. A ventilated façade consists of an insulated and weathertight structure, a ventilated cavity formed with a cladding support frame and the cladding panel.

Allowance for adequate ventilation is paramount in ensuring a successful EQUITONE façade. Ventilated façades provide a number of added benefits to the building and its occupants. These may include but are not limited to the following:

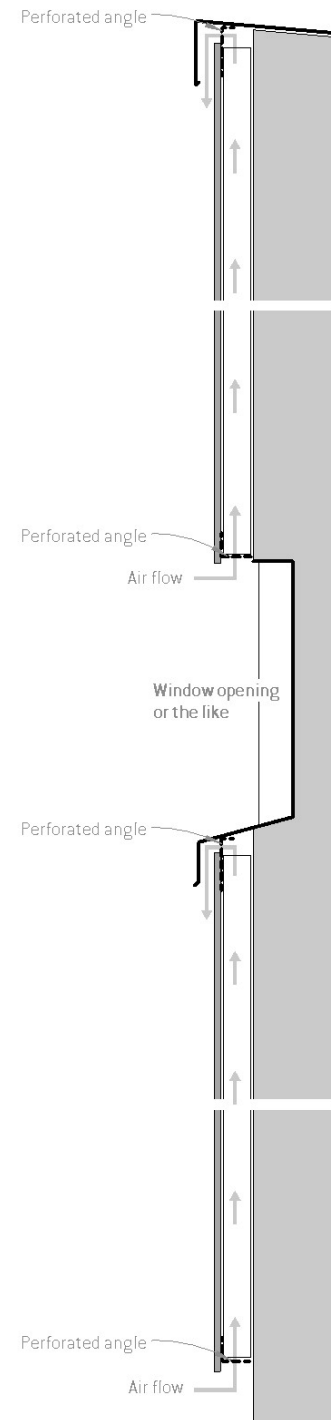
- Positive contribution to energy savings
- Assists with condensation management
- Minimises thermal bridges by providing an opportunity for applying external insulation
- Reduces thermal movement of the structure and cladding support frame
- Dissipates radiant heat
- Increases acoustic performance of the external wall
- Provides an effective drainage path for any moisture passing the cladding skin
- Eliminates the need for exposed caulking and sealant, therefore reducing maintenance requirements
- Assists with keeping the weather barrier dry and healthy
- Provides opportunities for concealing external services such as downpipes within the cavity
- Proven to be a more sustainable and healthier façade construction
- Architectural design flexibility

Air must be allowed to enter the cavity from bottom of the façade, window head, soffit, slab junctions, and the like, and exit from top of the façade, capping, window sill, slab and soffit interfaces, and the like.

All air inlets and outlets are protected against entry of birds and vermin into the cavity with a corrosion resistant perforated profile (angle).

The perforated angle should be less than 0.9mm in thickness where placed between EQUITONE and the support frame, and should have a minimum 50% open area with aperture size of maximum 3mm to 5mm. The perforations must be kept open and unobstructed to maintain drainage and ventilation of the cavity. The perforated angle shall be positioned to allow an adequate drip edge to the cladding panel.

For further information, refer to Design and Installation Guides. Air inlet and outlet sizes shown in this document are indicative only. Refer to the Design and Installation Guide for information about air inlet and outlet sizes which may vary depending on the application and vertical distance between them.

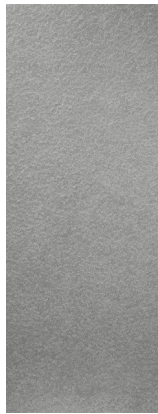


Components

Materials



EQUITONE [lines]



EQUITONE [lunara]



EQUITONE [tectiva]



EQUITONE [natura]



EQUITONE [pictura]



EQUITONE [inspira]

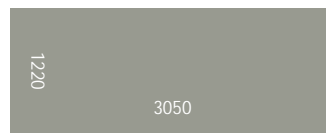
The Minerals

The Colourfuls

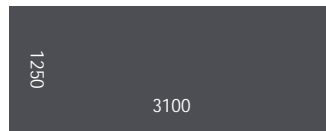
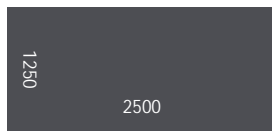
The Graphicals

Maximum available panel sizes

EQUITONE [tectiva] 8 mm thick
EQUITONE [lines] 10 mm thick
EQUITONE [lunara] 10 mm thick



EQUITONE [natura] 8 and 12 mm thick
EQUITONE [natura] PRO 8 and 12 mm thick
EQUITONE [pictura] 8 and 12 mm thick
EQUITONE [inspira] 8 mm thick



Panel Fixing Options

EQUITONE UNI Rivet or UNI-Metal Screw

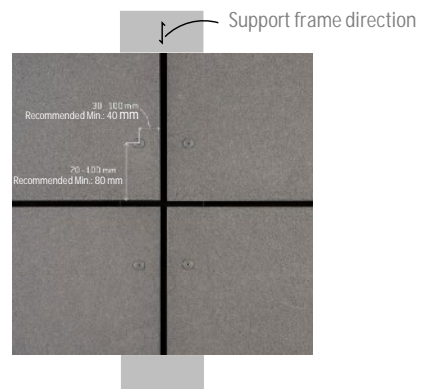
Refer to Design and Installation Guide of EQUITONE with Face Fixing on Metal Support Frame for further information about and correction application of these fixings.

Note: For illustration purposes, only the UNI Rivet option is shown in the construction details. However, these details are interchangeable with the UNI-Metal Screw.



Or

STOP point gasket



Components

Compressible EPDM gasket

Tesa®

A compressible closed-cell EPDM gasket used for sealing interfaces with flashings and the like.

12mm Tesa® 66703, 12mm Tesa® 61102, or 12mm PVC Tesa® 60106 where a narrow strip is required as specified on the construction details

40-48mm Tesa® 66703 where located on vertical joints as specified on the construction details



Expanding foam gasket

pro clima CONTEGA® FIDEN EXO

A pre-compressed sealing tape used to seal interfaces with window joineries and the like as specified on the construction details.

The required tape size depends on the gap which needs to be sealed. Refer to pro clima CONTEGA® FIDEN EXO datasheet to determine the required tape size.



Baffle

Black coated aluminium baffle used to close and form expressed panel horizontal joint.



Weather resistive barrier option 1

Flexible air barrier (pliable membrane)

EQUITONE façade systems have been certified with pro clima SOLITEX EXTASANA® pliable membrane to E2/VM1 for the purpose of compliance with Clause E2 of the NZBC for the following scope:

Serviceability wind pressure: Up to $\pm 1515\text{Pa}$

Ultimate wind pressure: Up to $\pm 2500\text{Pa}$

Building height: Up to 10m

pro clima SOLITEX EXTASANA® shall be applied in accordance with pro clima SOLITEX EXTASANA® installation guidelines and relevant standards.



Weather resistive barrier option 2

Rigid air barrier

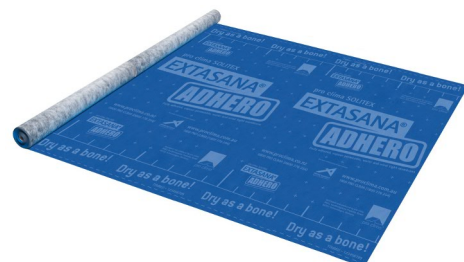
Where a rigid air barrier is required the ADHERO version of pro clima SOLITEX EXTASANA® may be used with minimum 6mm fibre cement sheeting.

EQUITONE façade systems have been certified with pro clima SOLITEX EXTASANA® ADHERO and 6mm fibre cement sheeting to E2/VM2 for the purpose of compliance with Clause E2 of the NZBC for the following scope:

Serviceability wind pressure: Up to $\pm 2250\text{Pa}$

Building height: Up to 25m

pro clima SOLITEX EXTASANA® ADHERO shall be applied in accordance with pro clima SOLITEX EXTASANA® ADHERO installation guidelines and relevant standards.



Components

Flashing tape pro clima TESCON EXTORA®

A pressure sensitive adhesive tape for overlaps and end laps used with both weather resistive barrier options.



Sill tape pro clima TESCON EXTOSEAL®

A flexible tape for use around window and door openings, used with both weather resistive barrier options.



Sealing tape pro clima TESCON® NAIDECK mono patch

A single-sided adhesive nail or screw sealing adhesive used with both weather resistive barrier options.



Foil tape pro clima TESCON® ADHISO WS

A pure aluminium tape for wet seal connections to TESCON EXTOSEAL® and EXTORA® and SOLITEX EXTASANA®.

Note: foil tape is optional and not required when using sealants which are compatible with TESCON EXTOSEAL® and EXTORA® and SOLITEX EXTASANA®. Check with the sealant manufacturer for compatibility with pro clima products.

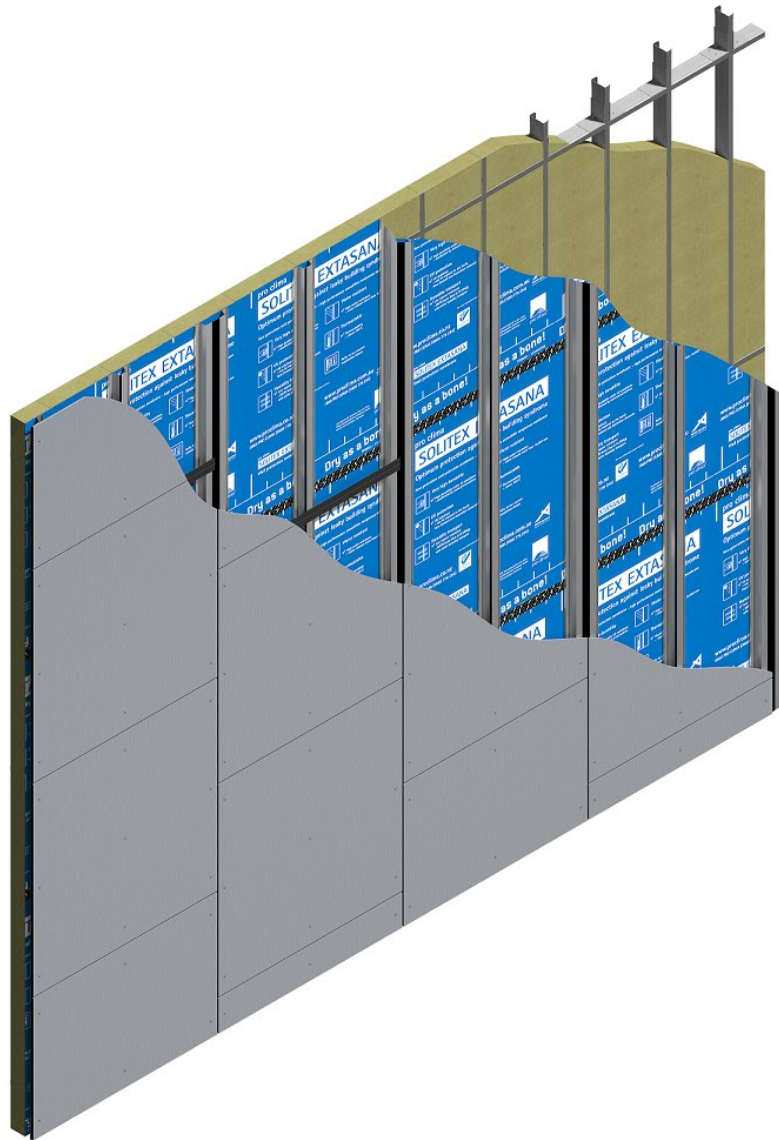


Grommet pro clima ROFLEX and KALFEX

pro clima ROFLEX is used to seal pipe and pro clima KALFEX for cable penetrations. pro clima ROFLEX and KALFEX are used with both weather resistive barrier options.



EQUITONE system



flexible air barrier (pliable membrane)
single layer top hat construction

Support frame

EQUITONE may be fixed to vertical metal top hat profiles with minimum gauge (thickness) of 1.15mm BMT, minimum depth of 35mm and minimum width of 50 and 120mm for intermediate and joint profiles, respectively.

Metal top hats shall be of adequate corrosion resistance required for the project.

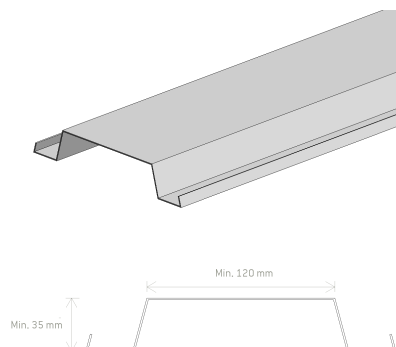
Maximum deflection of support framing must be limited to $\text{Span}/250$.

Structure and support frame shall be designed to relevant standards including, but not limited to, the following:

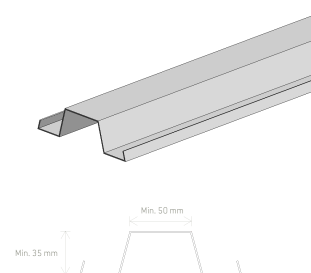
- AS/NZS 4600 – Cold-formed steel structures
- NZS 3404 – Steel structures
- NZS 3604 – Timber framed buildings

Top hat profiles

120 x 35 mm, minimum 1.15mm BMT
Located on vertical joints as specified on the construction details



50 x 35 mm, minimum 1.15mm BMT
For intermediate panel support as specified on the construction details



Notes

Support frame and its connection to substructure shall be designed by project engineer in accordance with the relevant standards. Refer to UNI Rivet span tables for maximum vertical and horizontal spacing of panel fixings.

Drawings index

Detail	Figure	Page
Baffled horizontal joint	1	11
Baffled horizontal joint junction with vertical joint - Elevation	2	11
Vertical joint - Detail 1	3	12
Vertical joint - Detail 2	4	12
Vertical joint - Detail 3	5	12
Intermediate panel fixings connection	6	12
Horizontal control joint	7	13
EPDM gasket support over control joint or the like	8	13
Vertical control joint	9	13
Flush window - Head and sill	10	14
Flush window - Jamb	11	14
Recessed window - Head and sill	12	15
Recessed window jamb - Option 1	13	15
Recessed window jamb - Option 2	14	15
Meter box - Section	15	16
Meter box - Plan view - Detail 1	16	16
Meter box - Plan view - Detail 2	17	16
Isometric view of window/meter box opening - Tape application	18	17
Soffit junction	19	17
Base detail	20	18
Base detail - Covered area	21	18
Base detail - Balcony	22	18
Junction with other materials - flush detail	23	19
Junction with other materials, eaves or the like - recessed detail	24	19
Exposed concrete slab or beam - Cladding flush	25	20
Exposed concrete slab or beam - Cladding recessed	26	20
External corner - Detail 1	27	21
External corner - Detail 2	28	21
Internal corner	29	22
Abutment	30	22
Pipe penetration - Plan view	31	23
Pipe penetration - Elevation	32	23
Pipe penetration - Section	33	23
Capping - Detail 1	34	24
Capping - Detail 2	35	24
Parapet junction - Section	36	24
Parapet junction - Plan view	37	25
Corrosion resistant saddle flashing	38	25

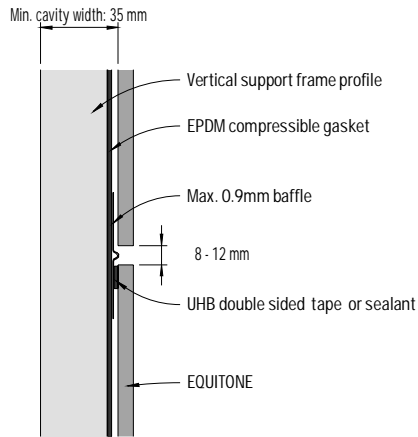


Figure 1: Baffled horizontal joint
(Not suitable for EQUITONE [material])

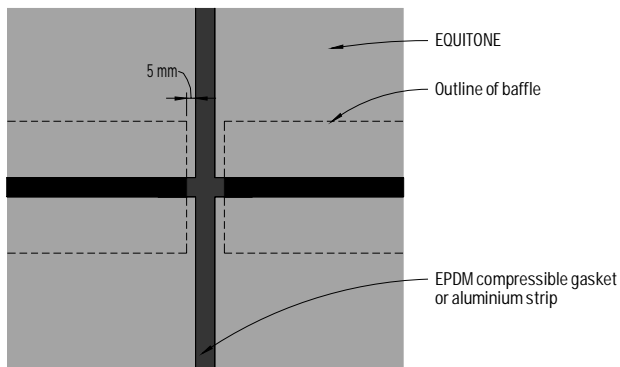


Figure 2: Baffled horizontal joint
junction with vertical joint - Elevation

Notes

- 1) Depending on the project requirements max. 0.9mm (powder) coated aluminium strip may be used in lieu of EPDM strip on vertical joints for higher UV resistance.
- 2) EQUITONE [material] requires open horizontal panel joints. Horizontal open joint detail requires project engineer's evaluation and approval, and the selection of appropriate rigid and UV resistant weather resistive barrier (membrane).

Intermediate (narrow) EPDM compressible gasket may be applied as shown in dashed line, replacing the wide one, where the metal strip behind is of desired colour

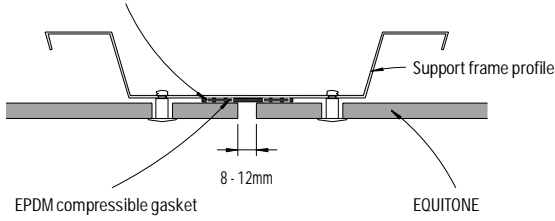


Figure 3: Vertical joint - Detail 1

Intermediate (narrow) EPDM compressible gasket may be applied as shown in dashed line, replacing the wide one, where the metal strip behind is of desired colour

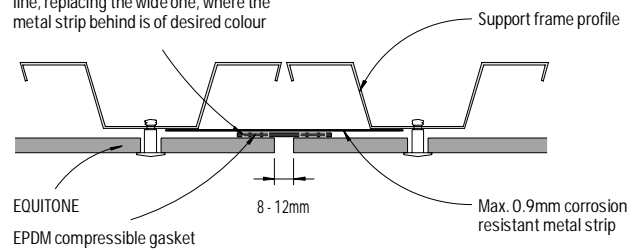


Figure 4: Vertical joint - Detail 2

Intermediate (narrow) EPDM compressible gasket may be applied as shown in dashed line, replacing the wide one, where the metal strip behind is of desired colour

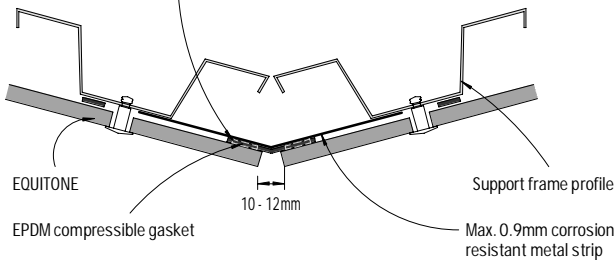


Figure 5: Vertical joint - Detail 3

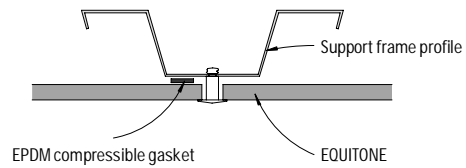


Figure 6: Intermediate panel fixings connection

Notes

1) Depending on the project requirements max. 0.9mm (powder) coated aluminium strip may be used in lieu of EPDM strip on vertical joints for higher UV resistance.

2) In Figure 4 & 5, the metal strip should be fixed ONLY to one of the profiles (either left or right) where allowance for horizontal and/or vertical movement of the cladding frame is required.

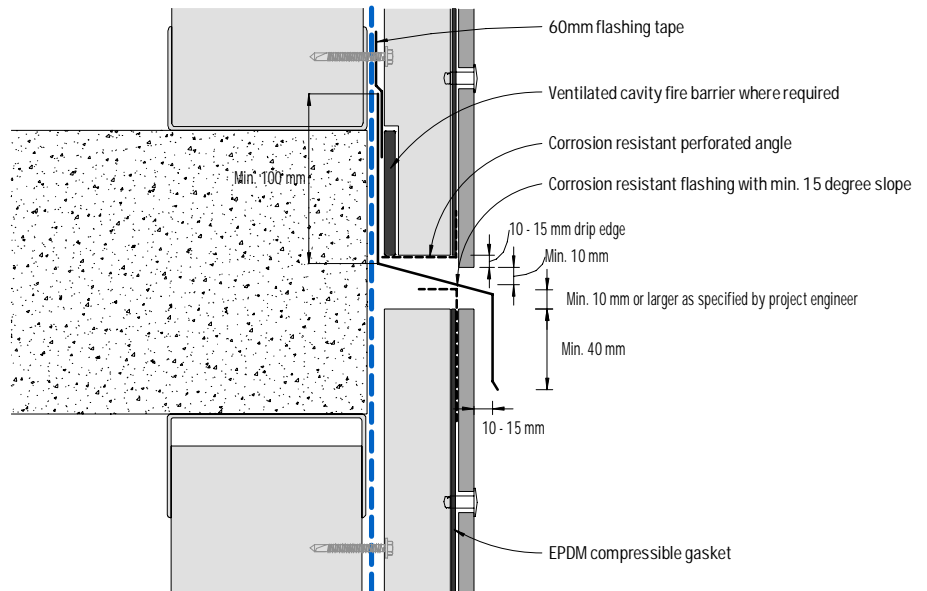


Figure 7: Horizontal control joint

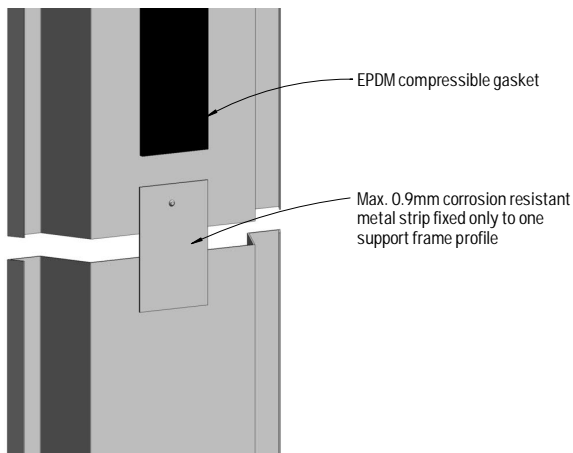


Figure 8: EPDM gasket support over control joint or the like

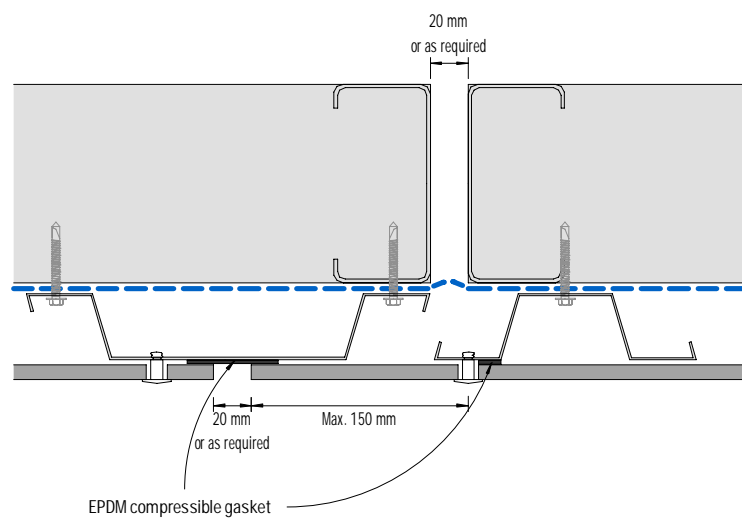


Figure 9: Vertical control joint

Notes

- 1) Support frame profiles must NOT be fixed crossing over a control joint.
- 2) Allowance for movement at the location of any control joint must be made in the cladding and its support frame design and installation. Panel must NOT be fixed bridging over any control joint.
- 3) Corrosion resistant perforated angle shall be of max. thickness of 0.9mm where located between panel and support frame, and be of min. 50% open area with aperture size of 3-5mm.

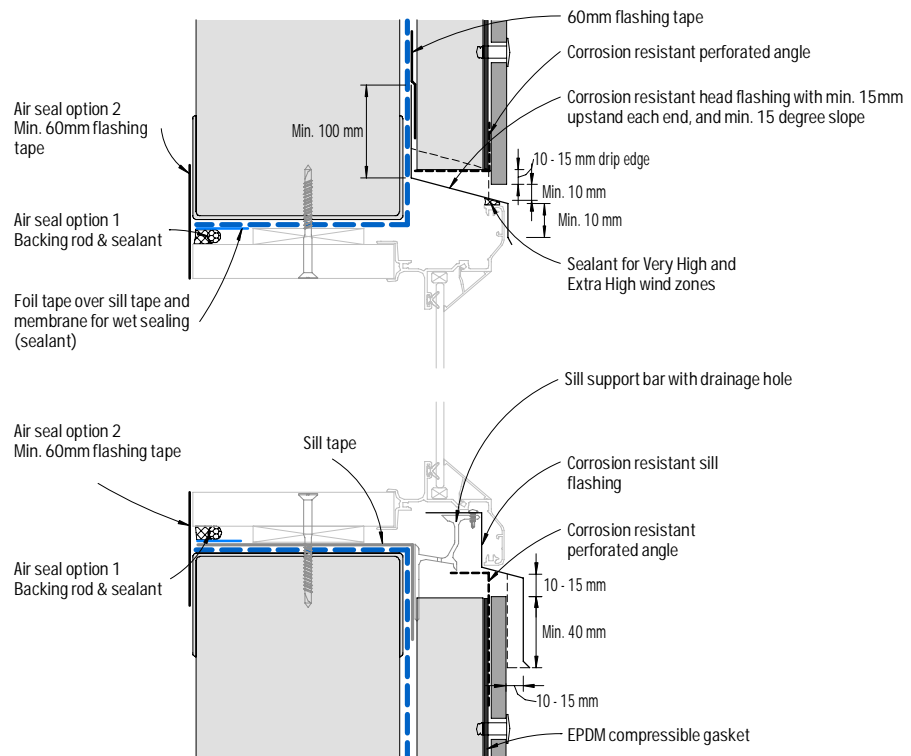


Figure 10: Flush window - Head and sill

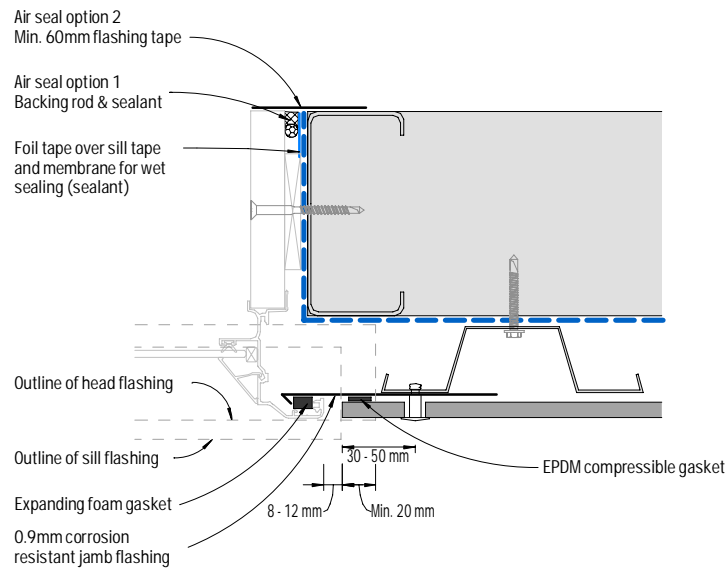


Figure 11: Flush window - Jamb

Notes

- 1) ONLY sealant compatible with the foil tape should be used. Should any sealant be intended to be used directly on the flashing and/or sill tape it must be confirmed with its manufacturer to ensure compatibility with these tapes in accordance with the relevant standards.
- 2) Corrosion resistant perforated angle shall be of max. thickness of 0.9mm where located between panel and support frame, and be of min. 50% open area with aperture size of 3-5mm.

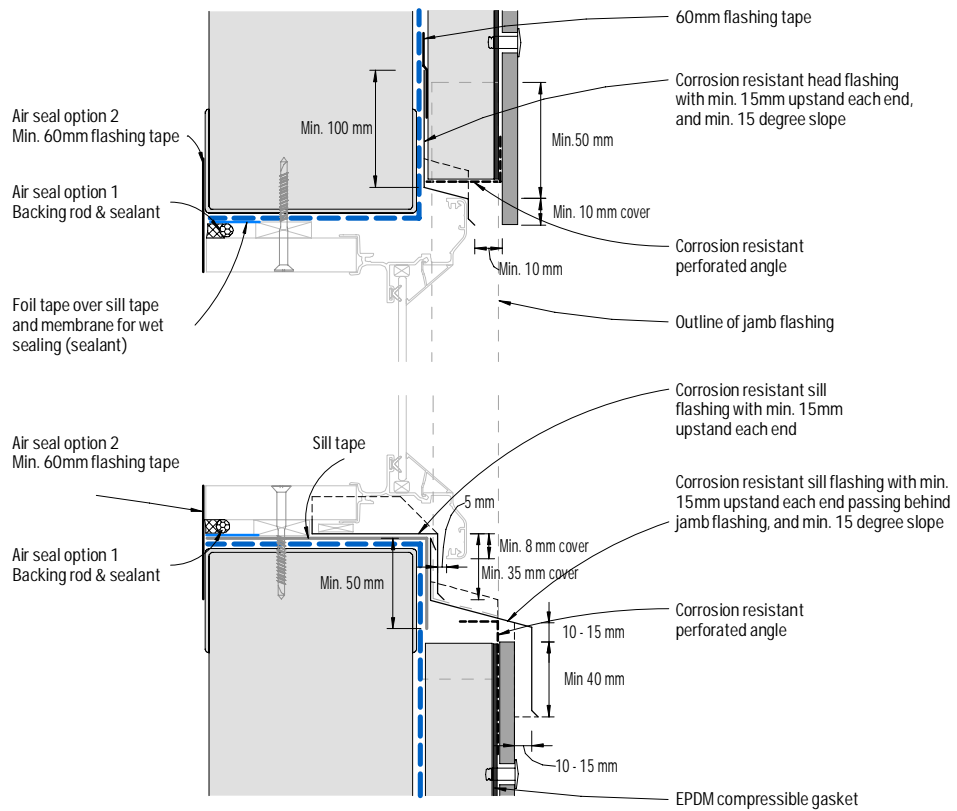


Figure 12: Recessed window - Head and sill

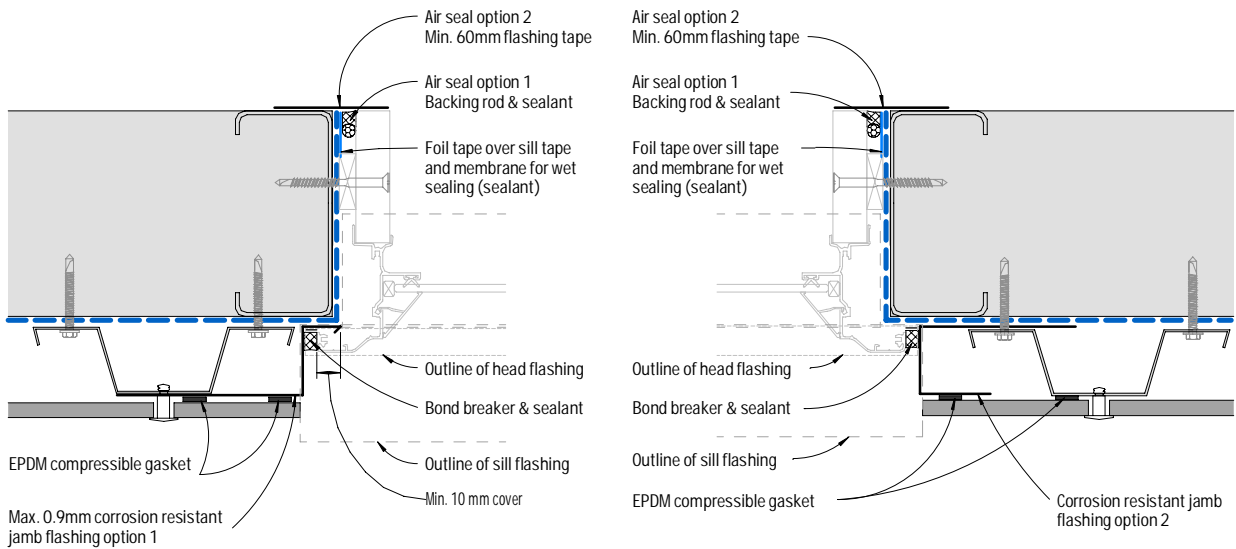


Figure 13: Recessed window jamb - Option 1

Figure 14: Recessed window jamb - Option 2

Notes

- 1) ONLY sealant compatible with the foil tape should be used. Should any sealant be intended to be used directly on the flashing and/or sill tape it must be confirmed with its manufacturer to ensure compatibility with these tapes in accordance with the relevant standards.
- 2) Corrosion resistant perforated angle shall be of max. thickness of 0.9mm where located between panel and support frame, and be of min. 50% open area with aperture size of 3-5mm.

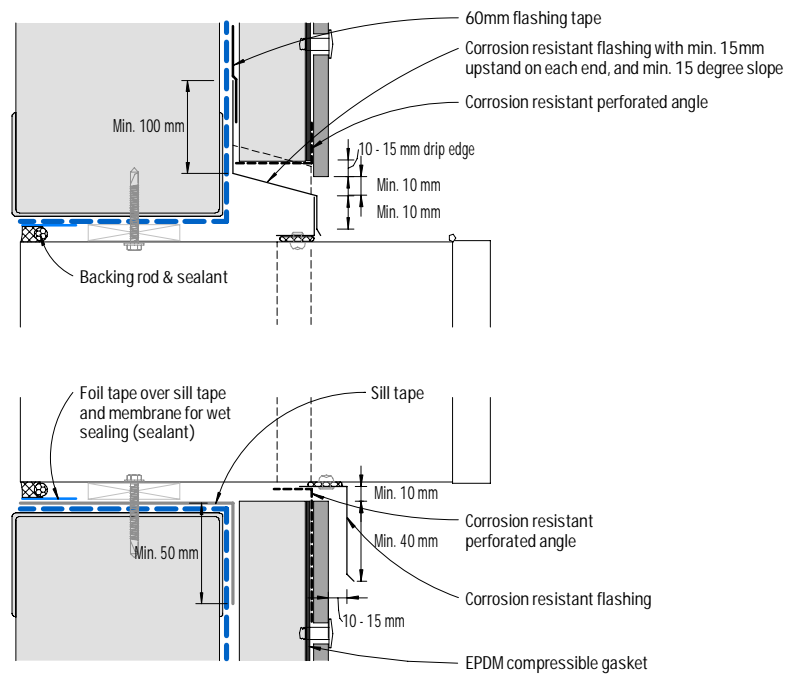


Figure 15: Meter box - Section

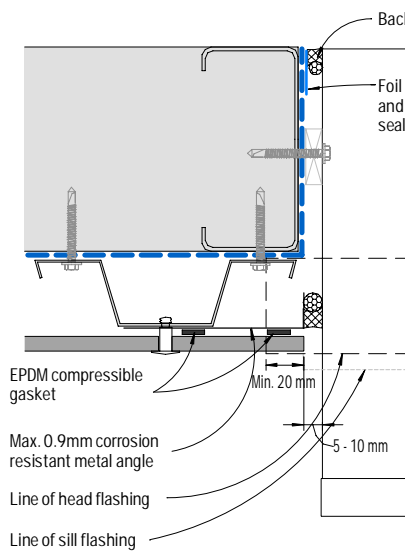


Figure 16: Meter box - Plan view - Detail 1

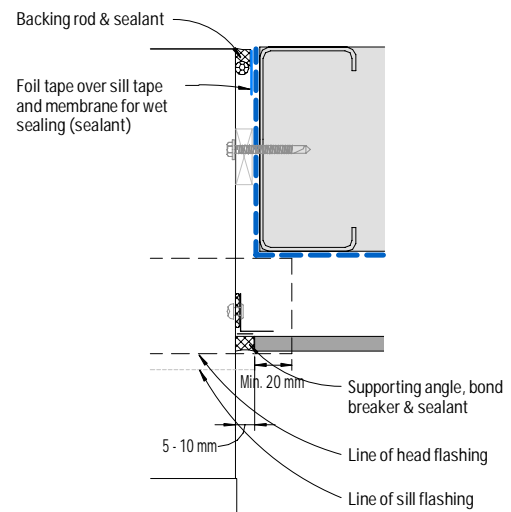


Figure 17: Meter box - Plan view - Detail 2

Notes

- 1) ONLY sealant compatible with the foil tape should be used. Should any sealant be intended to be used directly on the flashing and/or sill tape it must be confirmed with its manufacturer to ensure compatibility with these tapes in accordance with the relevant standards.
- 2) Corrosion resistant perforated angle shall be of max. thickness of 0.9mm where located between panel and support frame, and be of min. 50% open area with aperture size of 3-5mm.

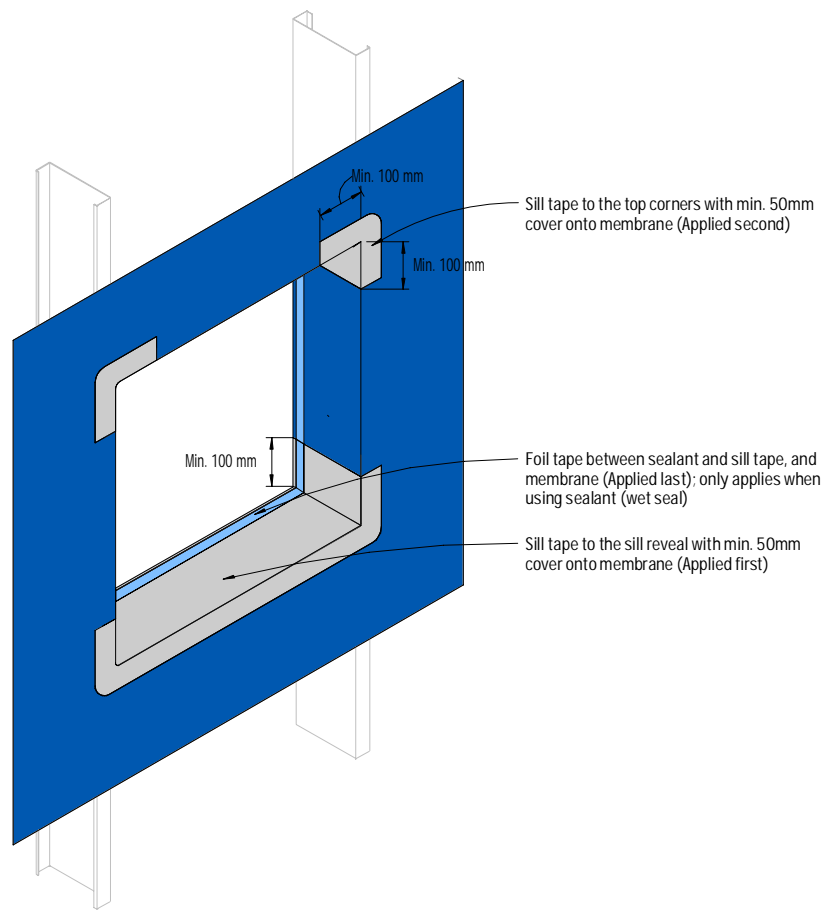


Figure 18: Isometric view of window/meter box opening - Tape application

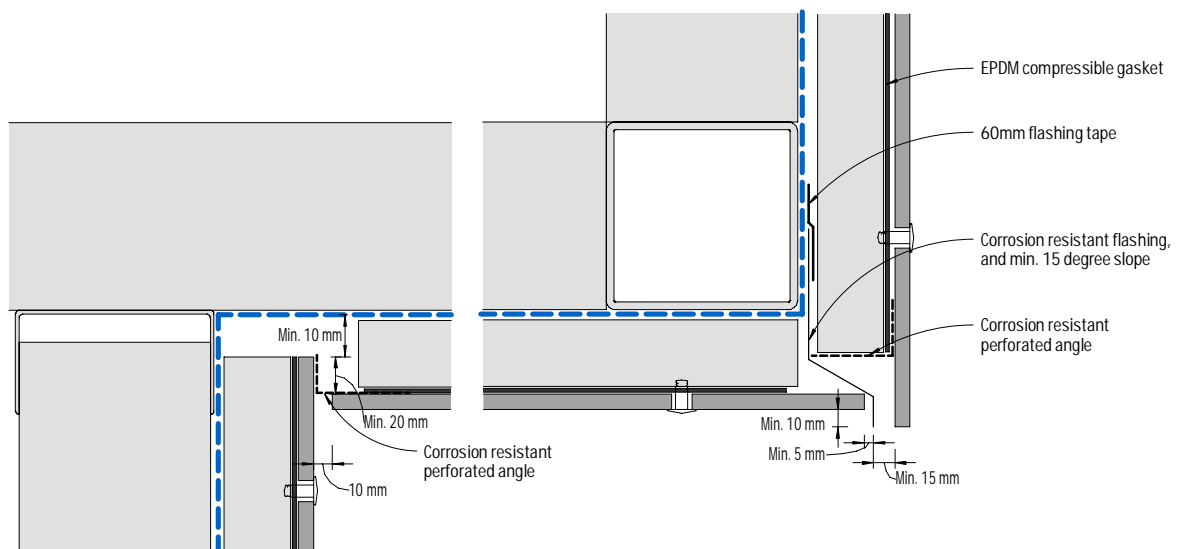


Figure 19: Soffit junction

Notes

- 1) ONLY sealant compatible with the foil tape should be used. Should any sealant be intended to be used directly on the flashing and/or sill tape it must be confirmed with its manufacturer to ensure compatibility with these tapes in accordance with the relevant standards.
- 2) Support frame profiles must NOT be fixed crossing over a control joint.
- 3) Corrosion resistant perforated angle shall be of max. thickness of 0.9mm where located between panel and support frame, and be of min. 50% open area with aperture size of 3-5mm.

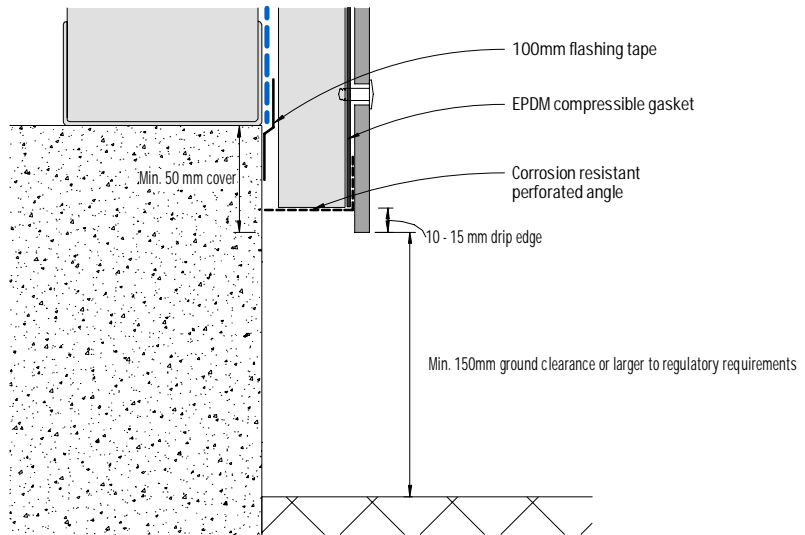


Figure 20: Base detail

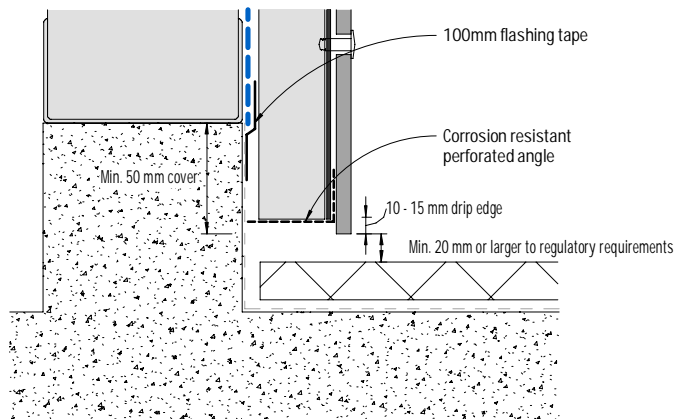


Figure 21: Base detail - Covered area

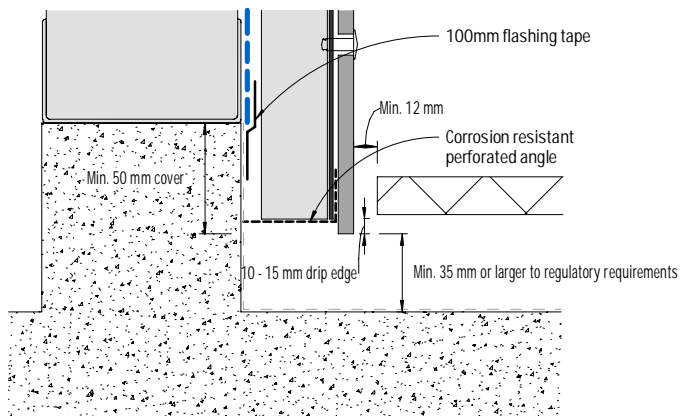


Figure 22: Base detail - Balcony

Notes

1) For **EQUITONE [materia]**, minimum ground clearance is **300mm**.

2) Corrosion resistant perforated angle shall be of max. thickness of 0.9mm where located between panel and support frame, and be of min. 50% open area with aperture size of 3-5mm.

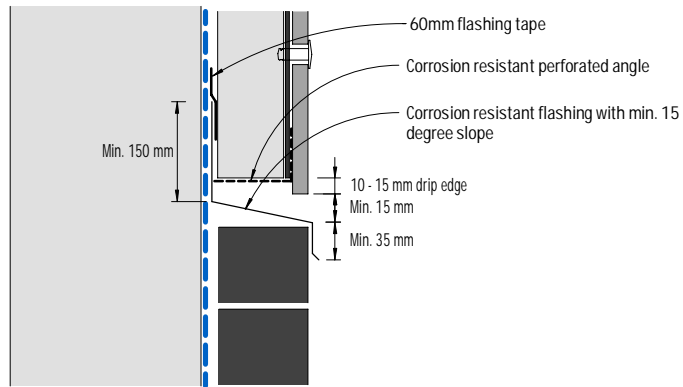
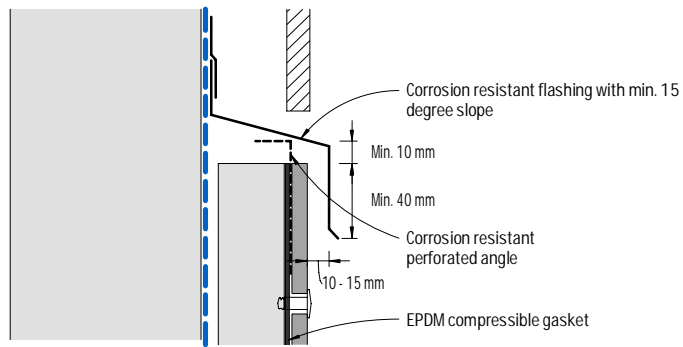


Figure 23: Junction with other materials - flush detail

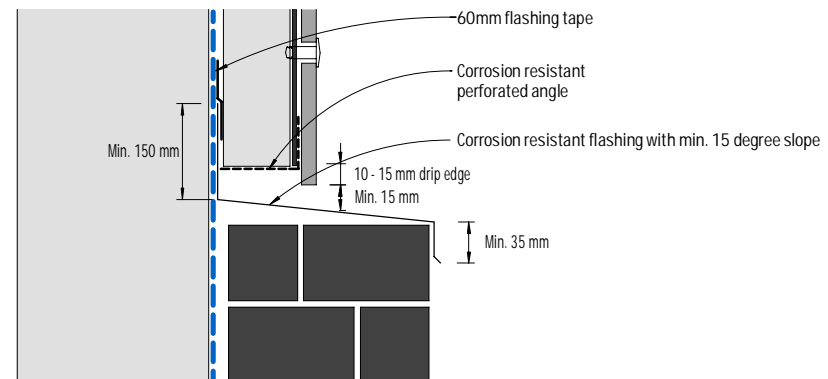
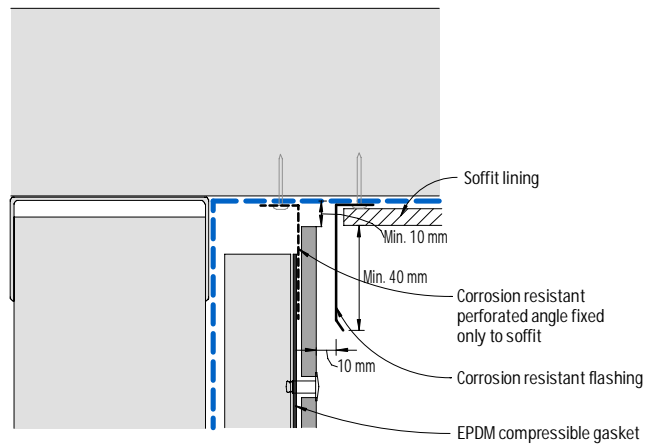


Figure 24: Junction with other materials, eaves or the like - recessed detail

Notes

- 1) Support frame profiles must NOT be fixed crossing over a control joint.
- 2) Corrosion resistant perforated angle shall be of max. thickness of 0.9mm where located between panel and support frame, and be of min. 50% open area with aperture size of 3-5mm.

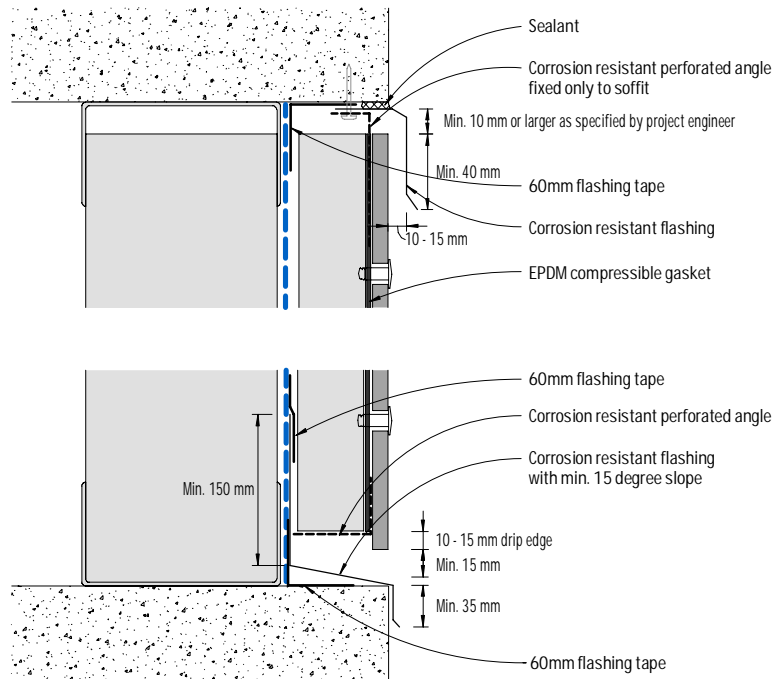


Figure 25: Exposed concrete slab or beam - Cladding flush

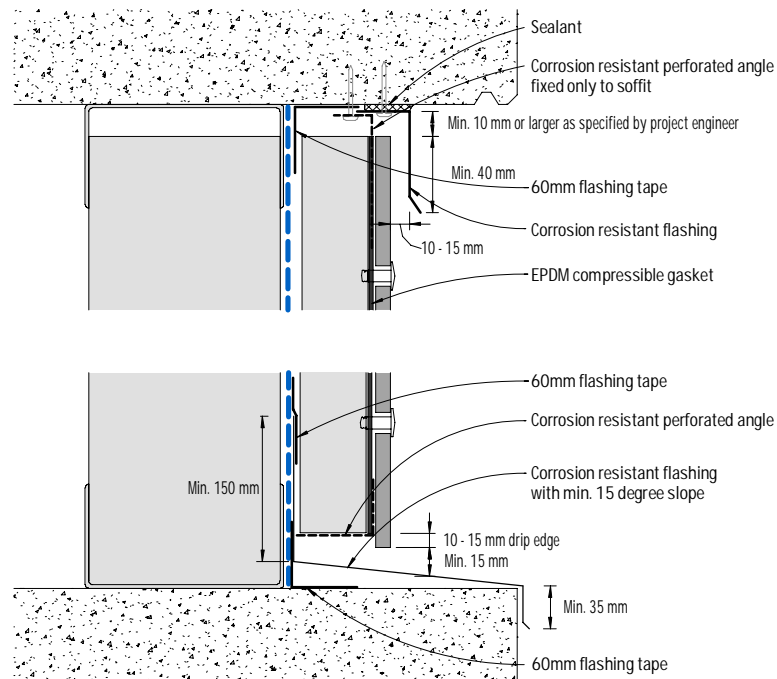


Figure 26: Exposed concrete slab or beam - Cladding recessed

Notes

- 1) Support frame profiles must NOT be fixed crossing over a control joint.
- 2) Corrosion resistant perforated angle shall be of max. thickness of 0.9mm where located between panel and support frame, and be of min. 50% open area with aperture size of 3-5mm.

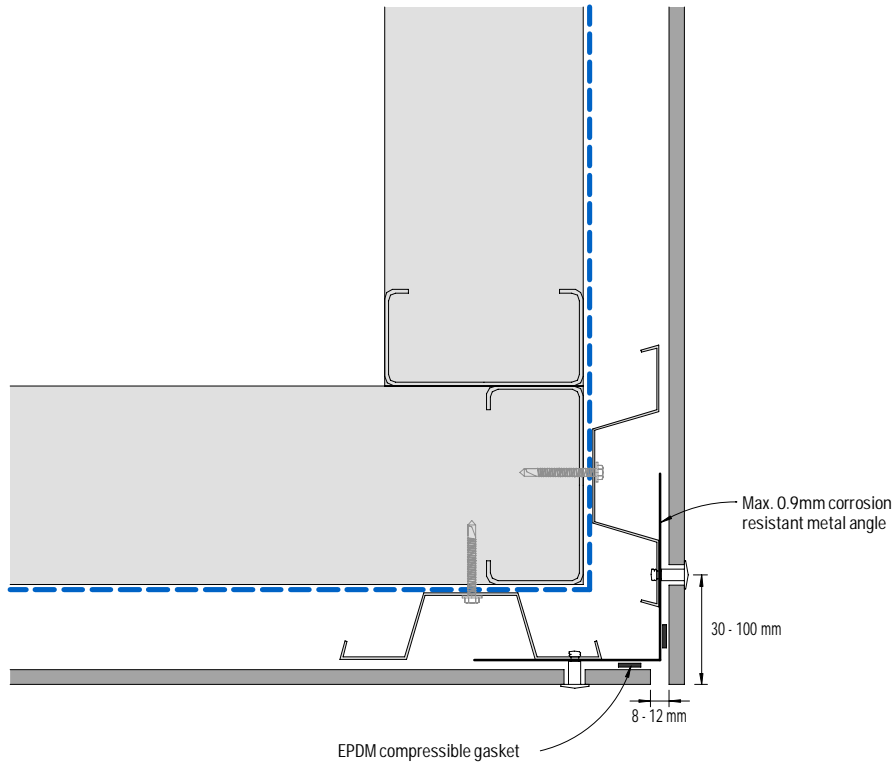


Figure 27: External corner - Detail 1

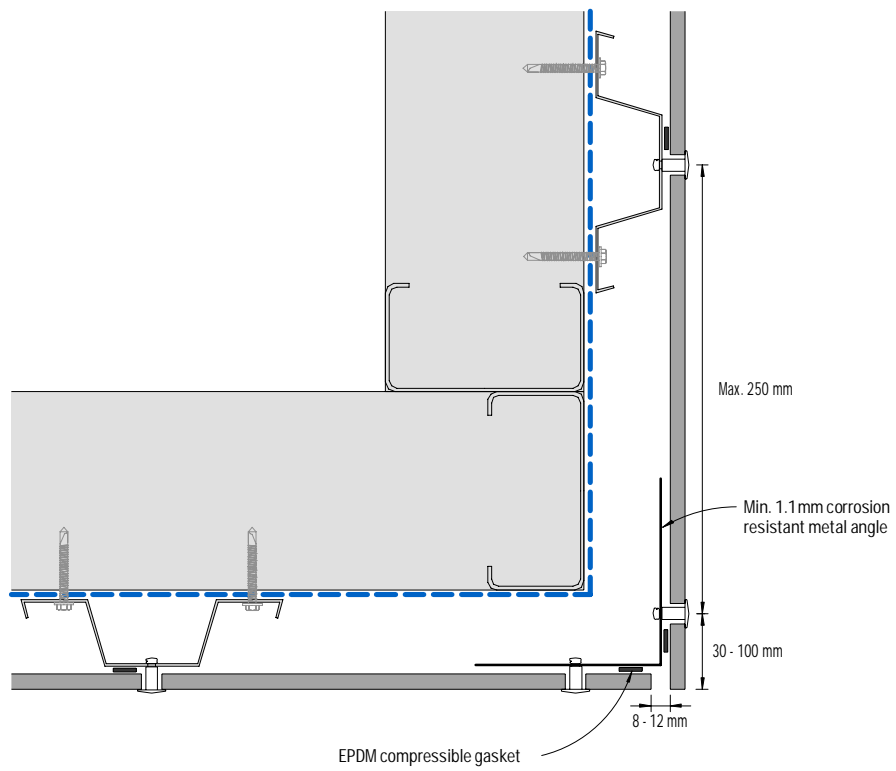


Figure 28: External corner - Detail 2

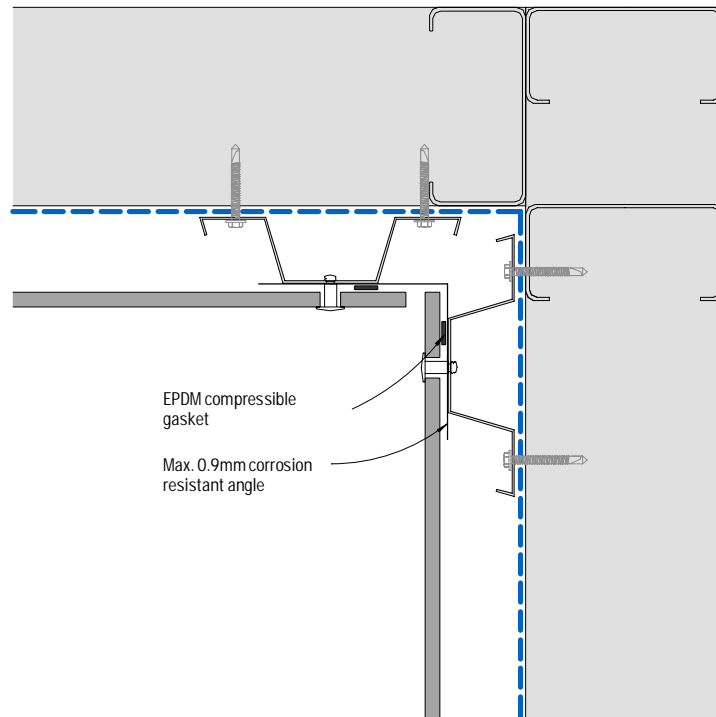


Figure 29: Internal corner

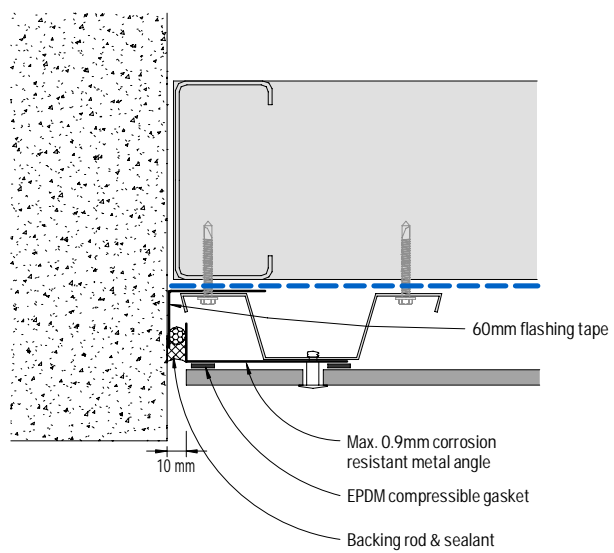


Figure 30: Abutment

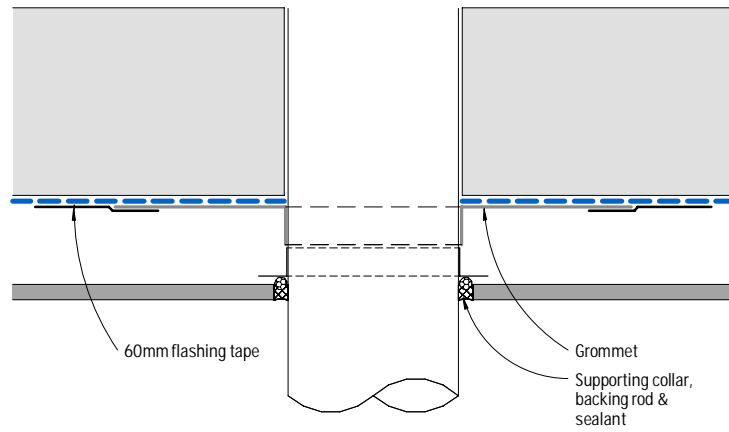


Figure 31: Pipe penetration - Plan view

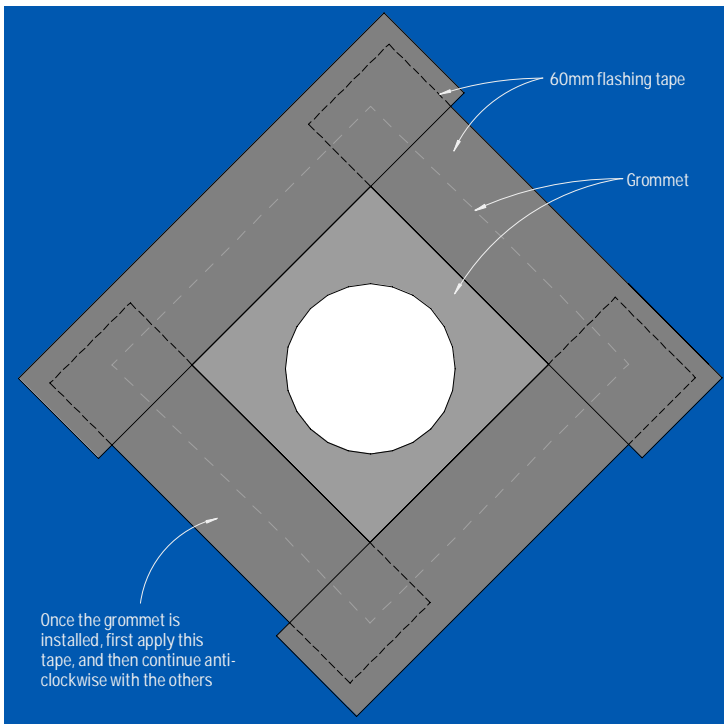


Figure 32: Pipe penetration - Elevation

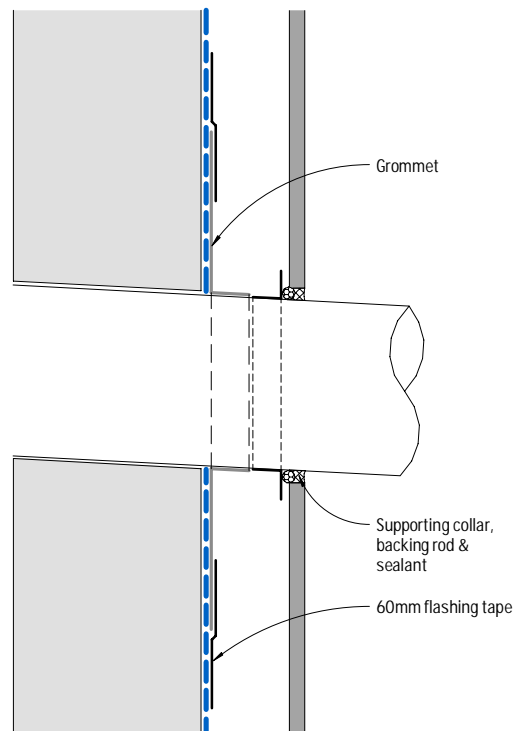


Figure 33: Pipe penetration - Section

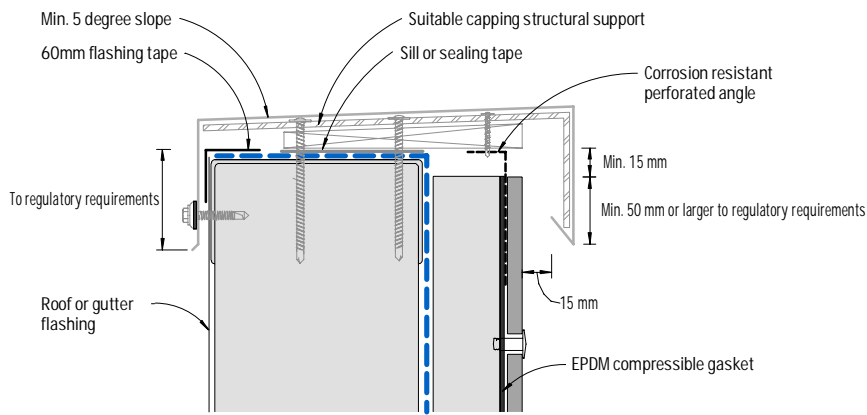


Figure 34: Capping - Detail 1

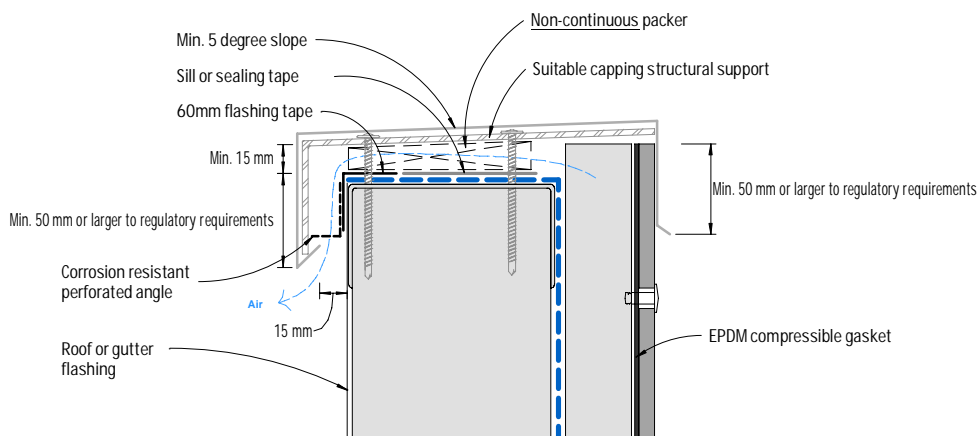


Figure 35: Capping - Detail 2
(Not suitable for EQUITONE [material])

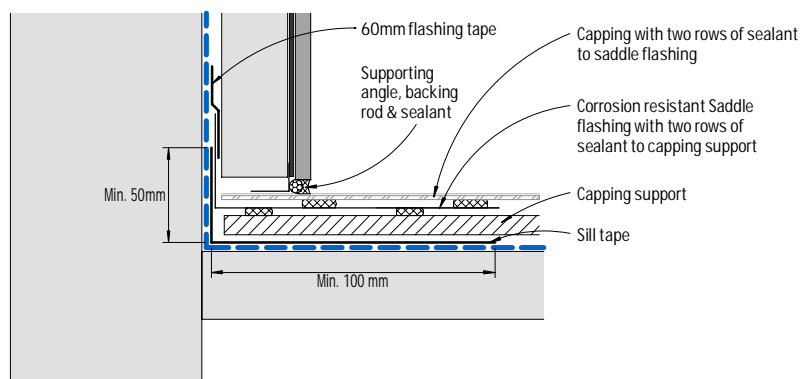


Figure 36: Parapet junction - Section

Notes

- 1) For EQUITONE [material], the following capping dimensions should be followed.
 - A minimum 20mm between panel face and rear of the capping
 - A minimum 50mm overlap with the panel for building up to 8m or larger to regulatory requirements.
 - A minimum 80mm overlap with the panel for building up to 20m or larger to regulatory requirements.
 - A minimum 100mm overlap with the panel for building over 20m or larger to regulatory requirements.
- 2) Any face fixings of capping shall be through an over sized hole (by min 5mm) in the capping as well as the panel.
- 3) Corrosion resistant perforated angle shall be of max. thickness of 0.9mm where located between panel and support frame, and be of min. 50% open area with aperture size of 3-5mm.
- 4) Capping shall be designed and engineered accordingly to provide adequate allowance for ventilation as shown in Figures 34 & 35.

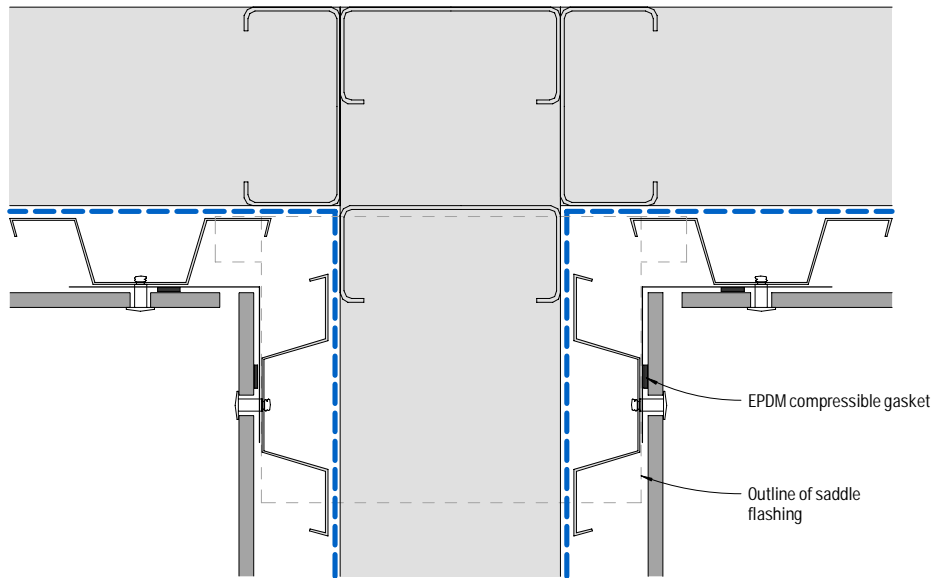


Figure 37: Parapet junction - Plan view

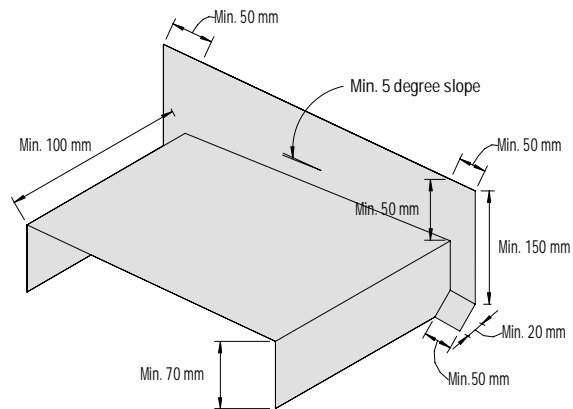
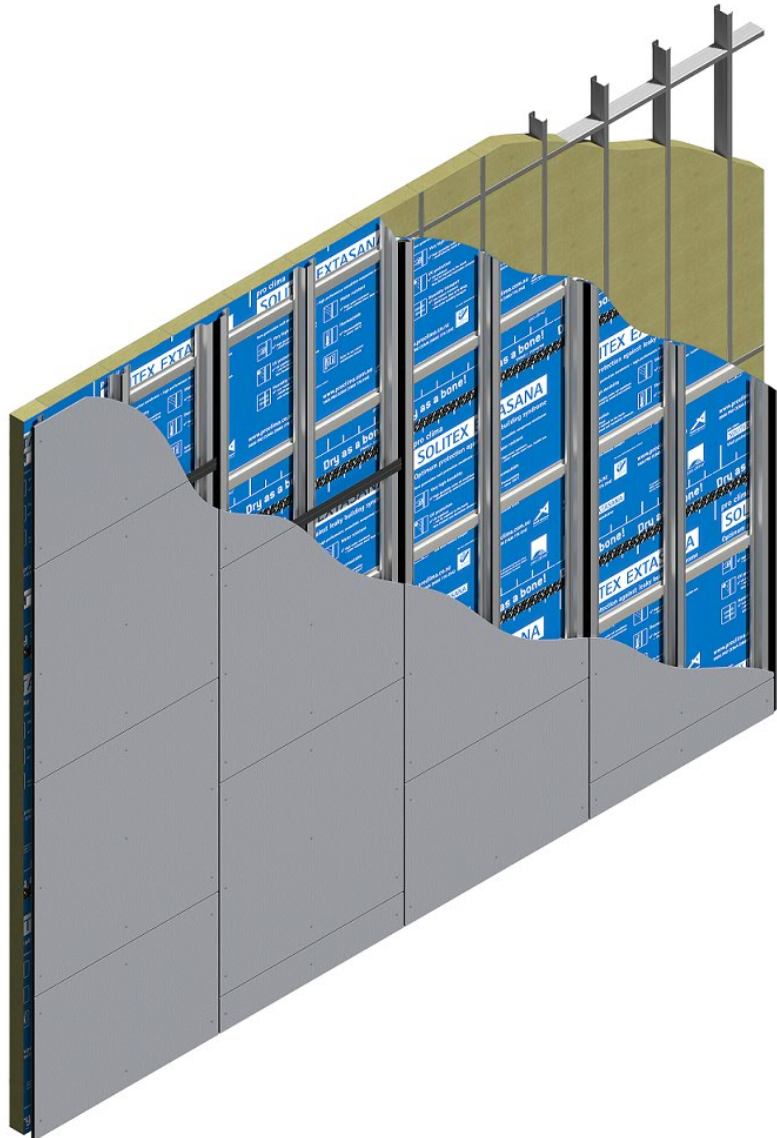


Figure 38: Corrosion resistant saddle flashing

EQUITONE system



flexible air barrier (pliable membrane)

double layer top hat construction

Support frame

EQUITONE may be fixed to double layer metal top hat construction where the structure is not designed to directly accommodate vertical top hat profiles. In this type of construction, first a layer of horizontal top hat profiles is installed at the required spacing, followed by vertical top hat profiles to which EQUITONE is fixed.

Metal top hats shall be of adequate corrosion resistance required for the project.

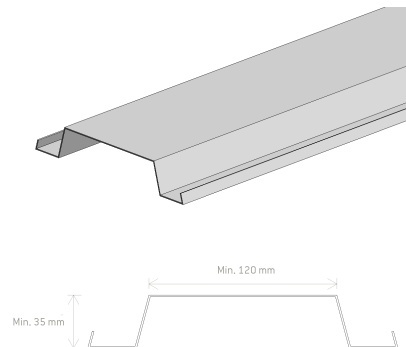
Maximum deflection of support framing must be limited to $\text{Span}/250$.

Structure and support frame shall be designed to relevant standards including, but not limited to, the following:

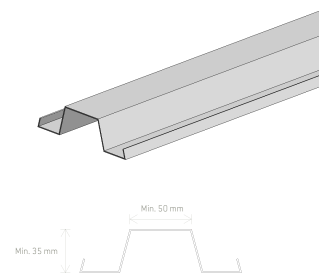
- AS/NZS 4600 – Cold-formed steel structures
- NZS 3404 – Steel structures
- NZS 3604 – Timber framed buildings

Top hat profiles

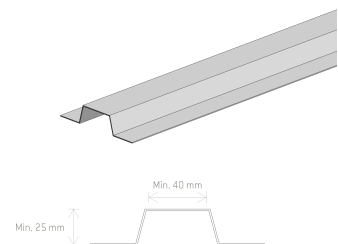
120 x 35 mm, minimum 1.15mm BMT
Installed vertically on vertical joints as specified on the construction details



50 x 35 mm, minimum 1.15mm BMT
Installed vertically as specified on the construction details



40 x 25 mm, minimum 1.15mm BMT
Installed horizontally to accommodate vertical top hat profiles



Notes

Support frame and its connection to substructure shall be designed by project engineer in accordance with the relevant standards. Refer to UNI Rivet span tables for maximum vertical and horizontal spacing of panel fixings.

Drawings index

Detail	Figure	Page
Baffled horizontal joint	1	29
Baffled horizontal joint junction with vertical joint - Elevation	2	29
Vertical joint - Detail 1	3	30
Vertical joint - Detail 2	4	30
Vertical joint - Detail 3	5	30
Intermediate panel fixings connection	6	30
Horizontal control joint	7	31
EPDM gasket support over control joint or the like	8	31
Vertical control joint	9	31
Flush window - Head and sill	10	32
Flush window - Jamb	11	32
Recessed window - Head and sill	12	33
Recessed window jamb - Option 1	13	33
Recessed window jamb - Option 2	14	33
Meter box - Section	15	34
Meter box - Plan view - Detail 1	16	34
Meter box - Plan view - Detail 2	17	34
Isometric view of window/meter box opening - Tape application	18	35
Soffit junction	19	35
Base detail	20	36
Base detail - Covered area	21	36
Base detail - Balcony	22	36
Junction with other materials - flush detail	23	37
Junction with other materials, eaves or the like - recessed detail	24	37
Exposed concrete slab or beam - Cladding flush	25	38
Exposed concrete slab or beam - Cladding recessed	26	38
External corner - Detail 1	27	39
External corner - Detail 2	28	39
Internal corner	29	40
Abutment	30	40
Pipe penetration - Plan view	31	41
Pipe penetration - Elevation	32	41
Pipe penetration - Section	33	41
Capping - Detail 1	34	42
Capping - Detail 2	35	42
Parapet junction - Section	36	42
Parapet junction - Plan view	37	43
Corrosion resistant saddle flashing	38	43

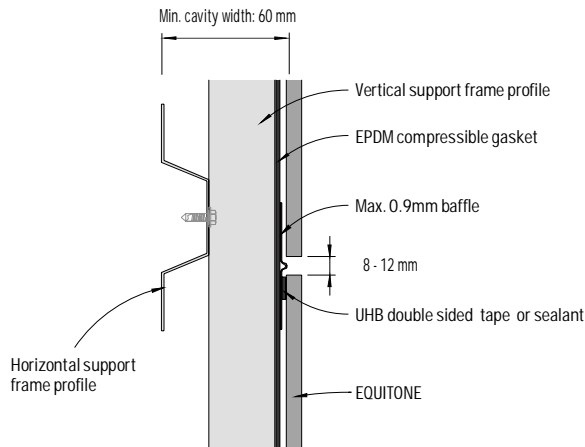


Figure 1: Baffled horizontal joint
(Not suitable for EQUITONE [material])

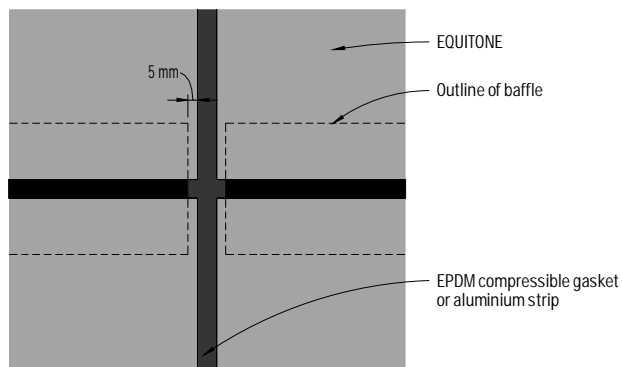


Figure 2: Baffled horizontal joint
junction with vertical joint - Elevation

Notes

- 1) Depending on the project requirements max. 0.9mm (powder) coated aluminium strip may be used in lieu of EPDM strip on vertical joints for higher UV resistance.
- 2) EQUITONE [material] requires open horizontal panel joints. Horizontal open joint detail requires project engineer's evaluation and approval, and the selection of appropriate rigid and UV resistant weather resistive barrier (membrane).
- 3) The length of support frame profiles must NOT exceed 3,150mm.

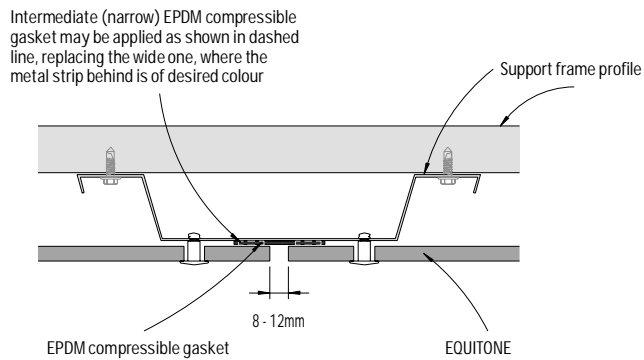


Figure 3: Vertical joint - Detail 1

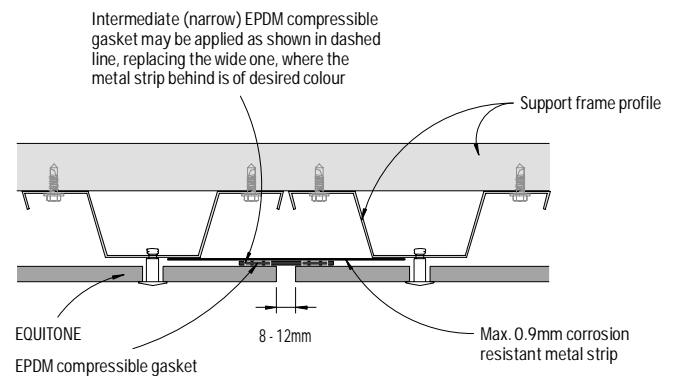


Figure 4: Vertical joint - Detail 2

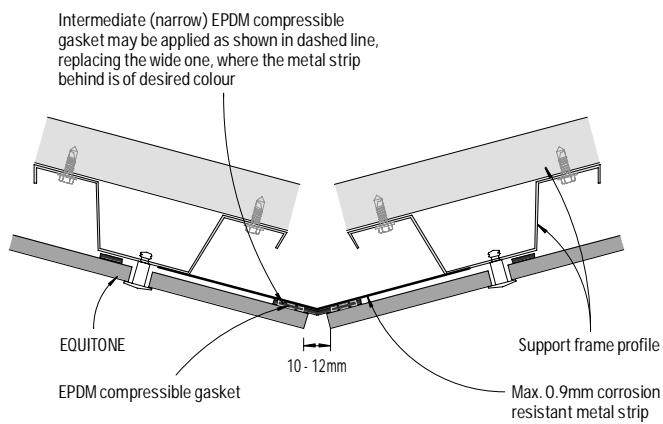


Figure 5: Vertical joint - Detail 3

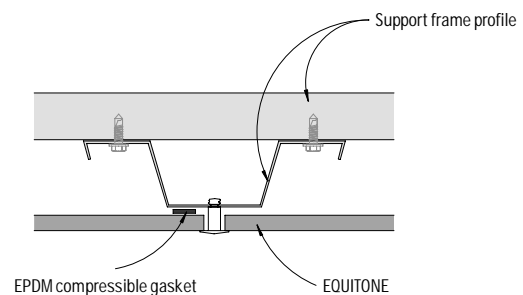


Figure 6: Intermediate panel fixings connection

Notes

1) Depending on the project requirements max. 0.9mm (powder) coated aluminium strip may be used in lieu of EPDM strip on vertical joints for higher UV resistance.

2) In Figure 4 & 5, the metal strip should be fixed ONLY to one of the support frame profiles (either left or right) where allowance for horizontal and/or vertical movement of the cladding frame is required.

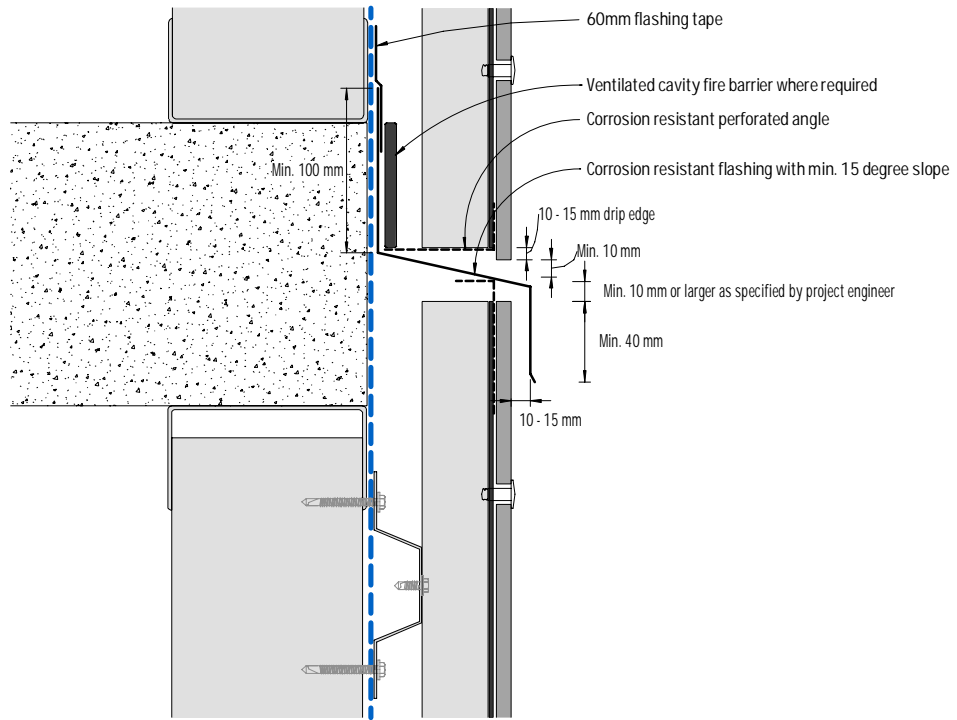


Figure 7: Horizontal control joint

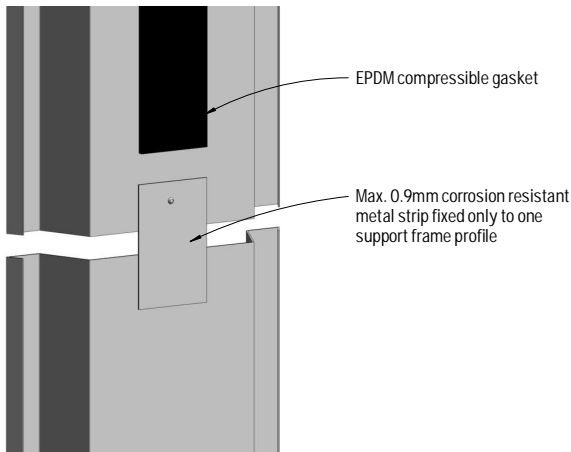


Figure 8: EPDM gasket support over control joint or the like

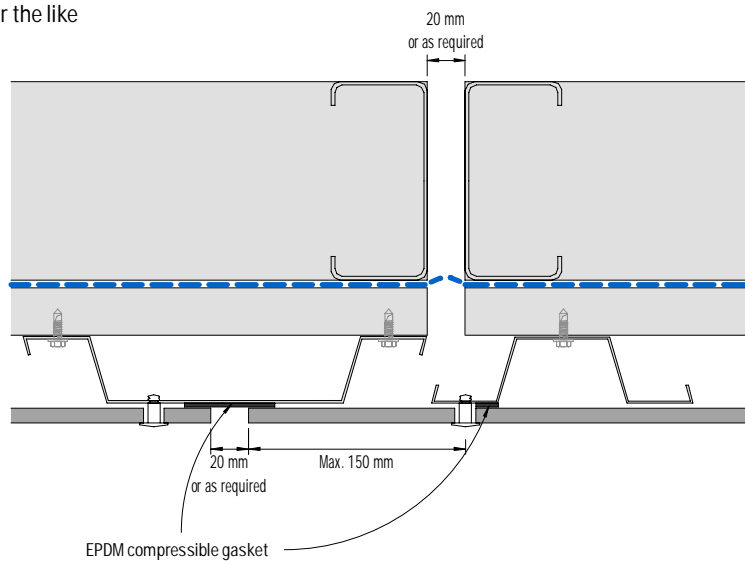


Figure 9: Vertical control joint

Notes

- 1) Support frame profiles must NOT be fixed crossing over a control joint.
- 2) Allowance for movement at the location of any control joint must be made in the cladding and its support frame design and installation. Panel must NOT be fixed bridging over any control joint.
- 3) Corrosion resistant perforated angle shall be of max. thickness of 0.9mm where located between panel and support frame, and be of min. 50% open area with aperture size of 3-5mm.

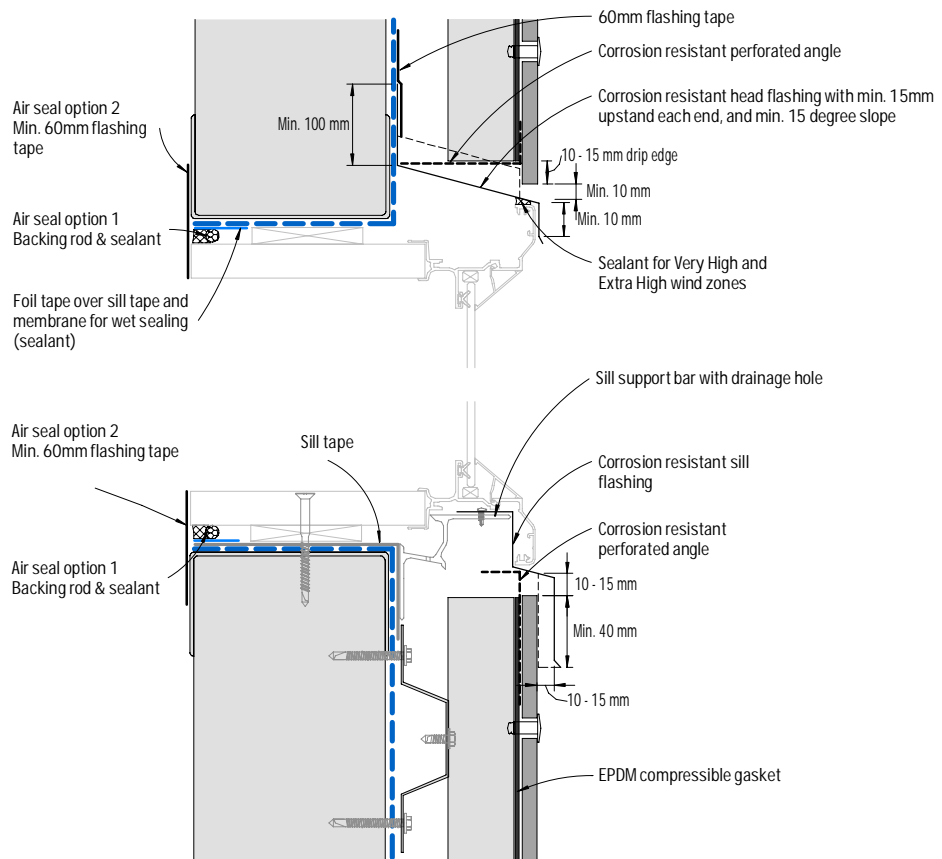


Figure 10: Flush window - Head and sill

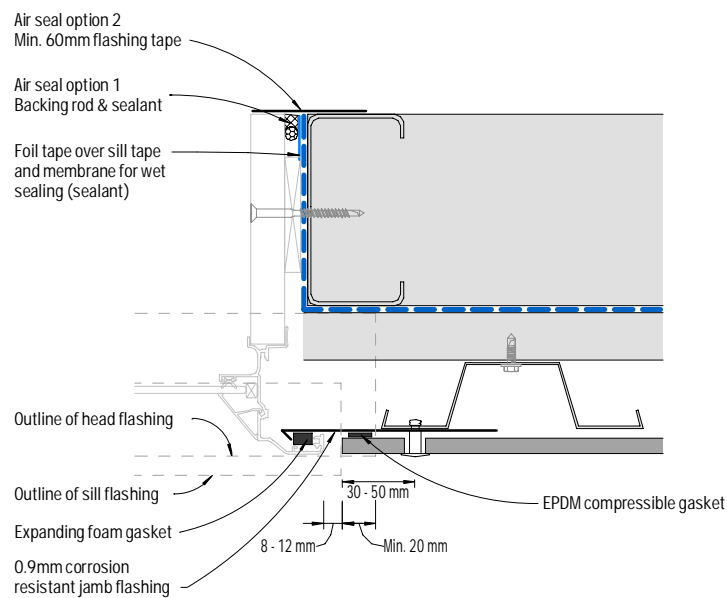


Figure 11: Flush window - Jamb

Notes

- 1) ONLY sealant compatible with the foil tape should be used. Should any sealant be intended to be used directly on the flashing and/or sill tape it must be confirmed with its manufacturer to ensure compatibility with these tapes in accordance with the relevant standards.
- 2) Corrosion resistant perforated angle shall be of max. thickness of 0.9mm where located between panel and support frame, and be of min. 50% open area with aperture size of 3-5mm.

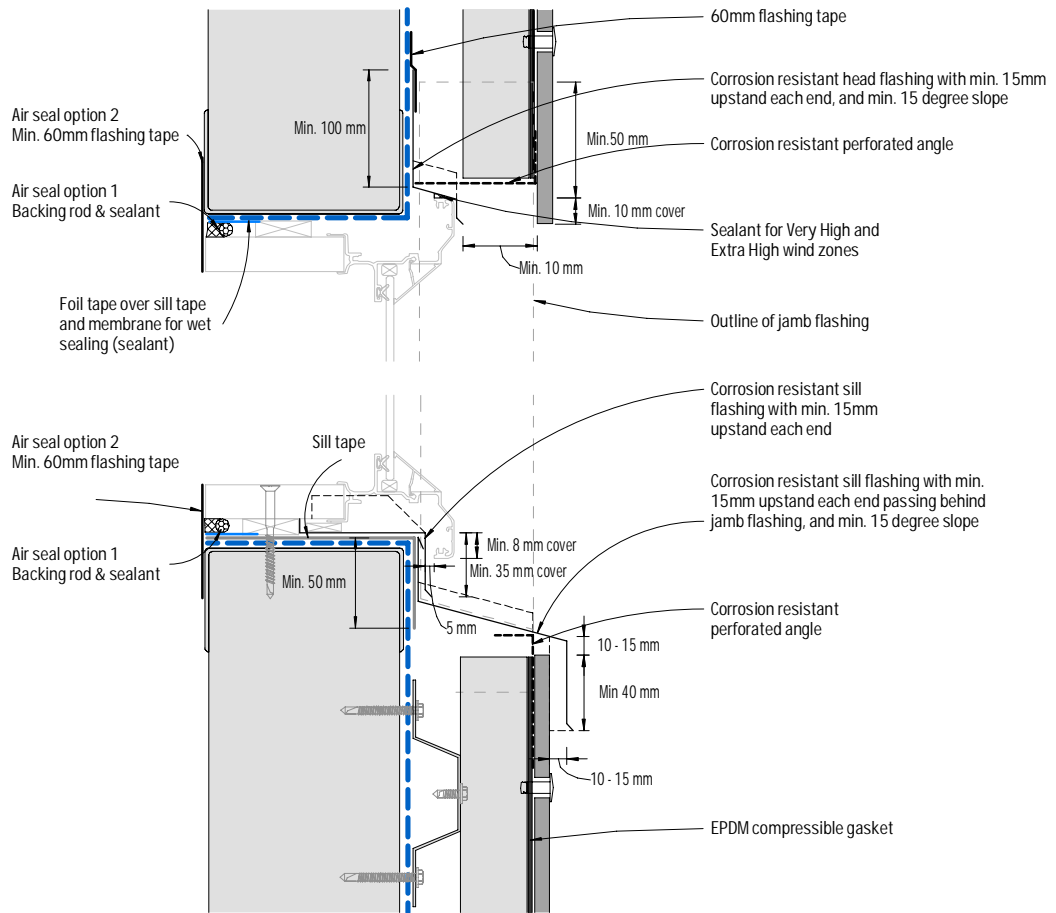


Figure 12: Recessed window - Head and sill

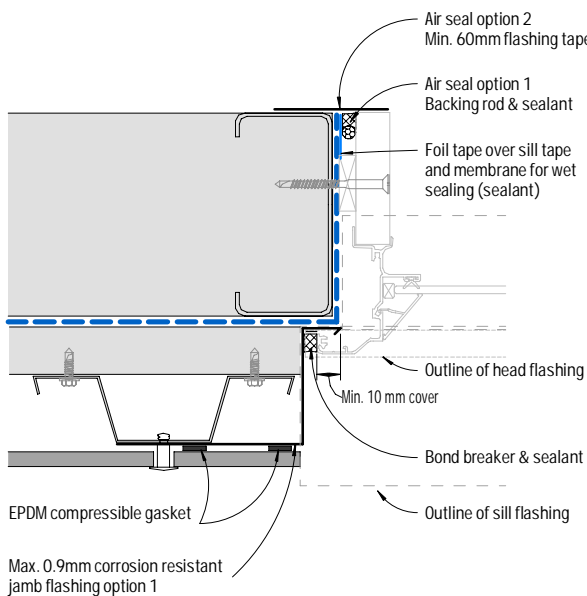


Figure 13: Recessed window jamb - Option 1

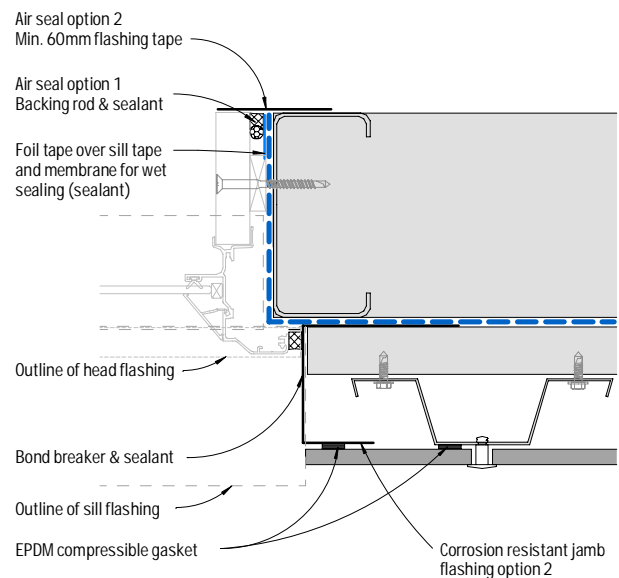


Figure 14: Recessed window jamb - Option 2

Notes

- 1) ONLY sealant compatible with the foil tape should be used. Should any sealant be intended to be used directly on the flashing and/or sill tape it must be confirmed with its manufacturer to ensure compatibility with these tapes in accordance with the relevant standards.
- 2) Corrosion resistant perforated angle shall be of max. thickness of 0.9mm where located between panel and support frame, and be of min. 50% open area with aperture size of 3-5mm.

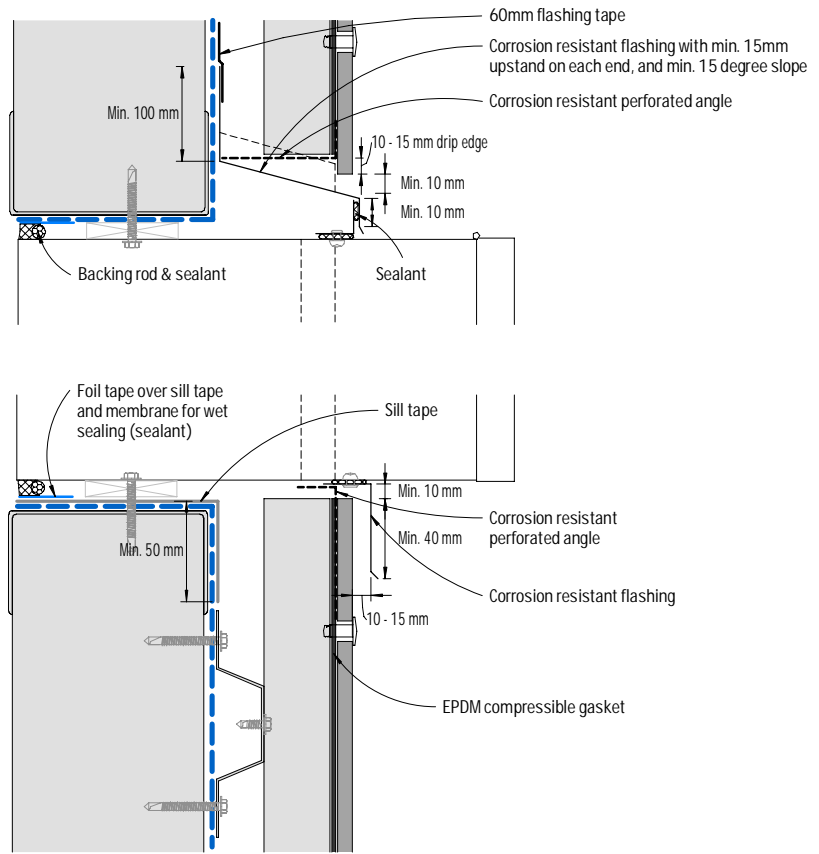


Figure 15: Meter box - Section

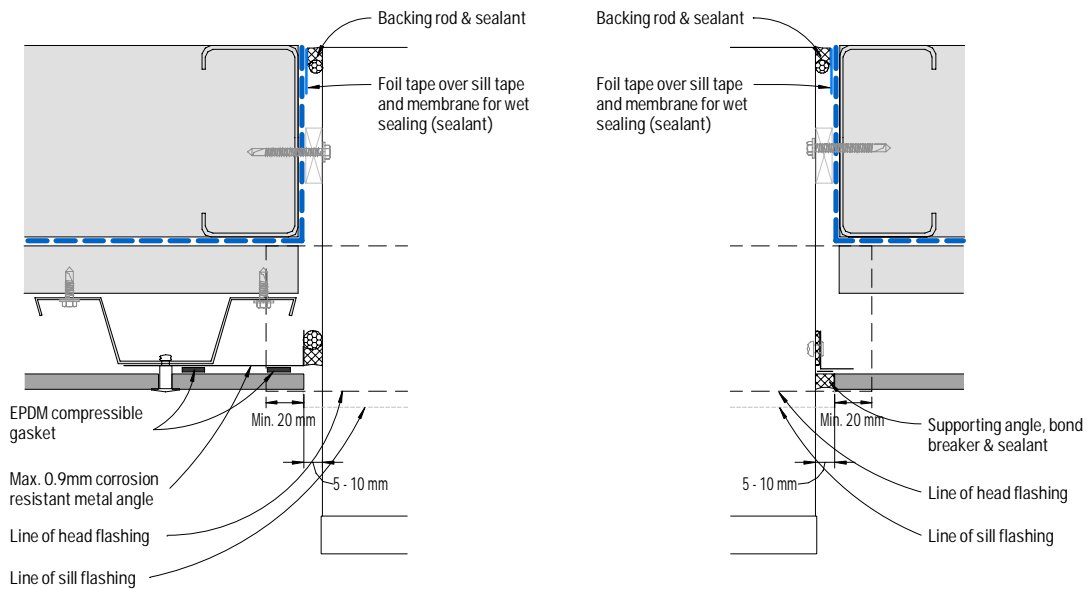


Figure 16: Meter box - Plan view - Detail 1

Figure 17: Meter box - Plan view - Detail 2

Notes

- 1) ONLY sealant compatible with the foil tape should be used. Should any sealant be intended to be used directly on the flashing and/or sill tape it must be confirmed with its manufacturer to ensure compatibility with these tapes in accordance with the relevant standards.
- 2) Corrosion resistant perforated angle shall be of max. thickness of 0.9mm where located between panel and support frame, and be of min. 50% open area with aperture size of 3-5mm.

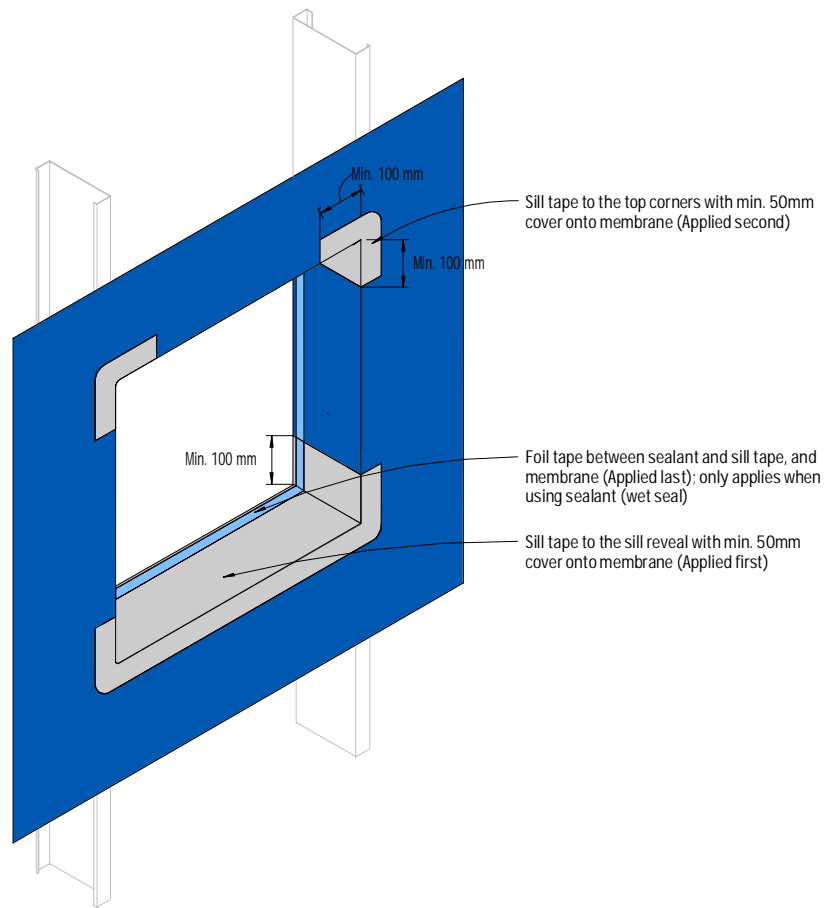


Figure 18: Isometric view of window/meter box opening - Tape application

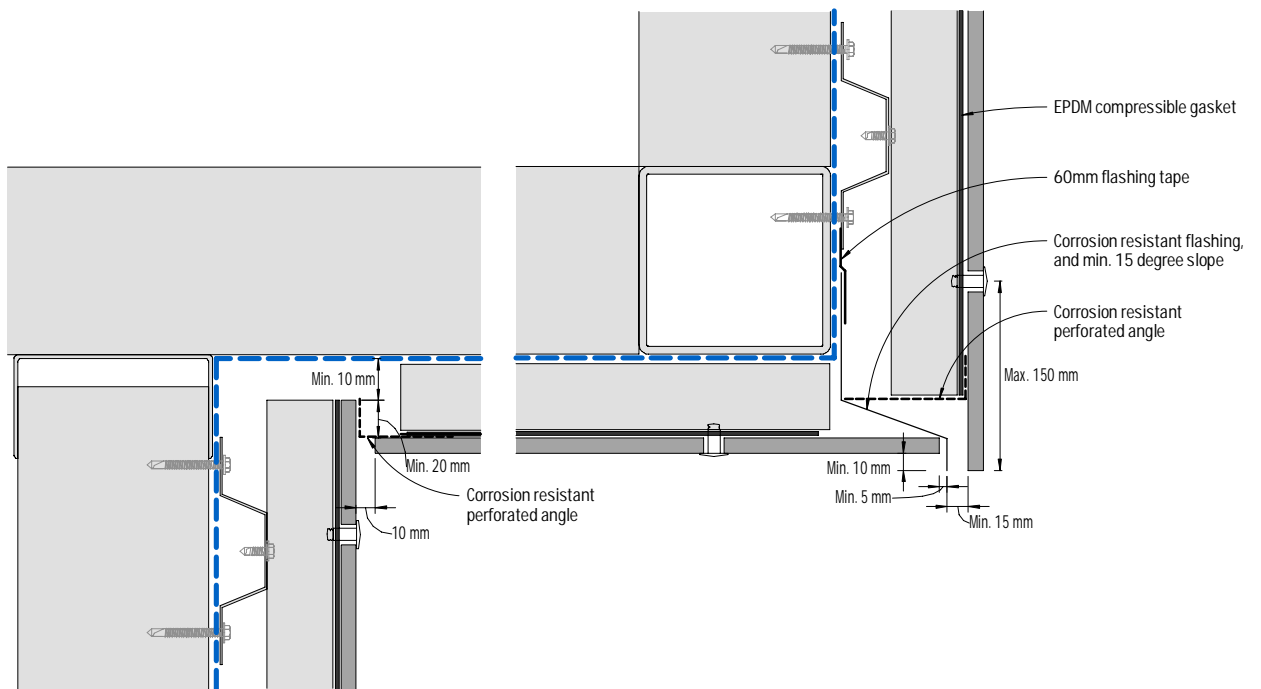


Figure 19: Soffit junction

Notes

- 1) ONLY sealant compatible with the foil tape should be used. Should any sealant be intended to be used directly on the flashing and/or sill tape it must be confirmed with its manufacturer to ensure compatibility with these tapes in accordance with the relevant standards.
- 2) Support frame profiles must NOT be fixed crossing over a control joint.
- 3) Corrosion resistant perforated angle shall be of max. thickness of 0.9mm where located between panel and support frame, and be of min. 50% open area with aperture size of 3-5mm.

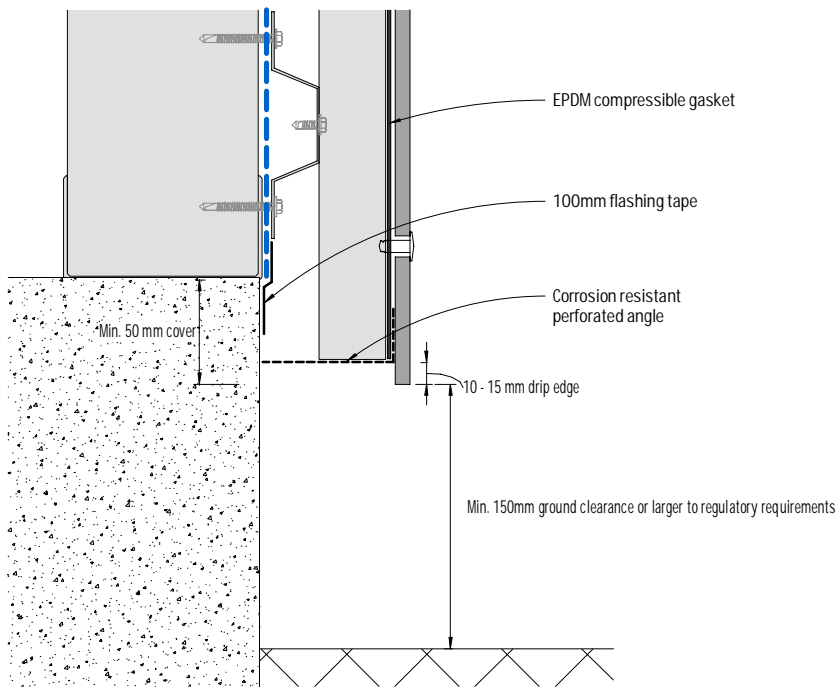


Figure 20: Base detail

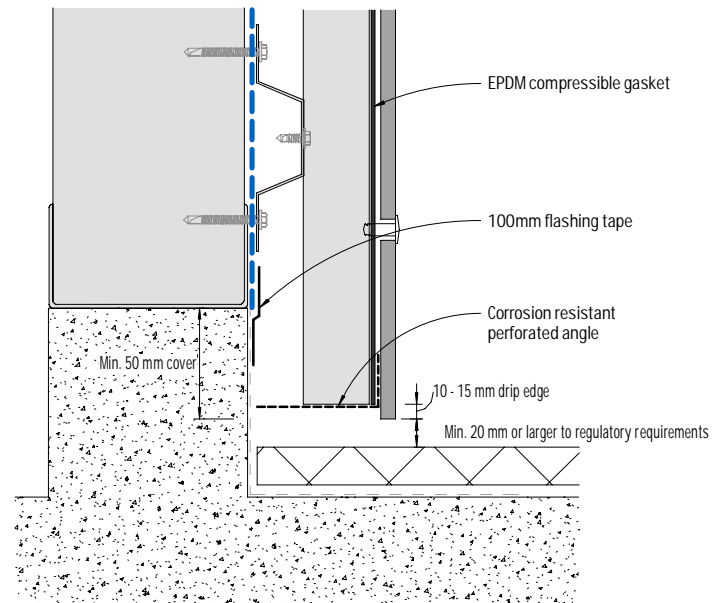


Figure 21: Base detail - Covered area

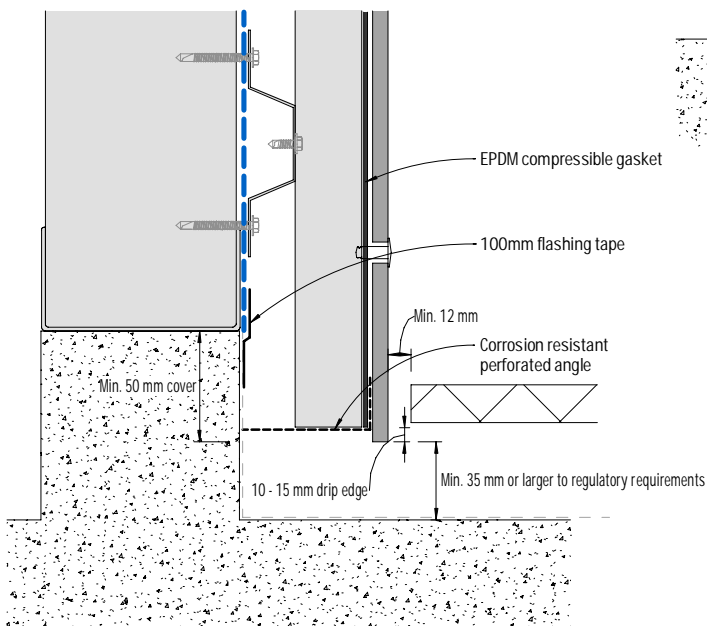


Figure 22: Base detail - Balcony

Notes

1) For **EQUITONE [materia]**, minimum ground clearance is **300mm**.

2) Corrosion resistant perforated angle shall be of max. thickness of 0.9mm where located between panel and support frame, and be of min. 50% open area with aperture size of 3-5mm.

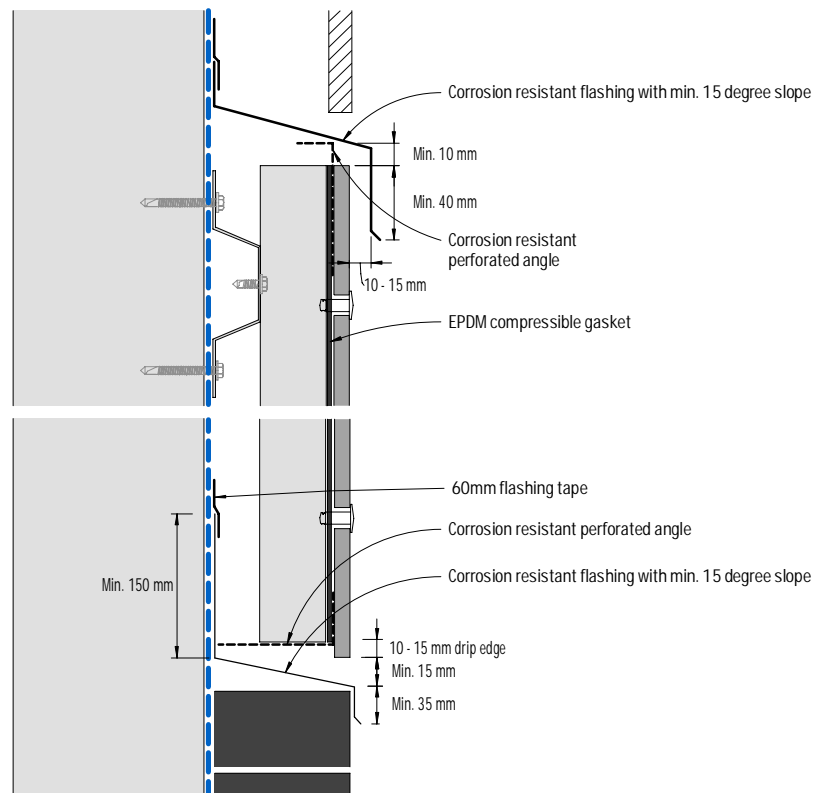


Figure 23: Junction with other materials - flush detail

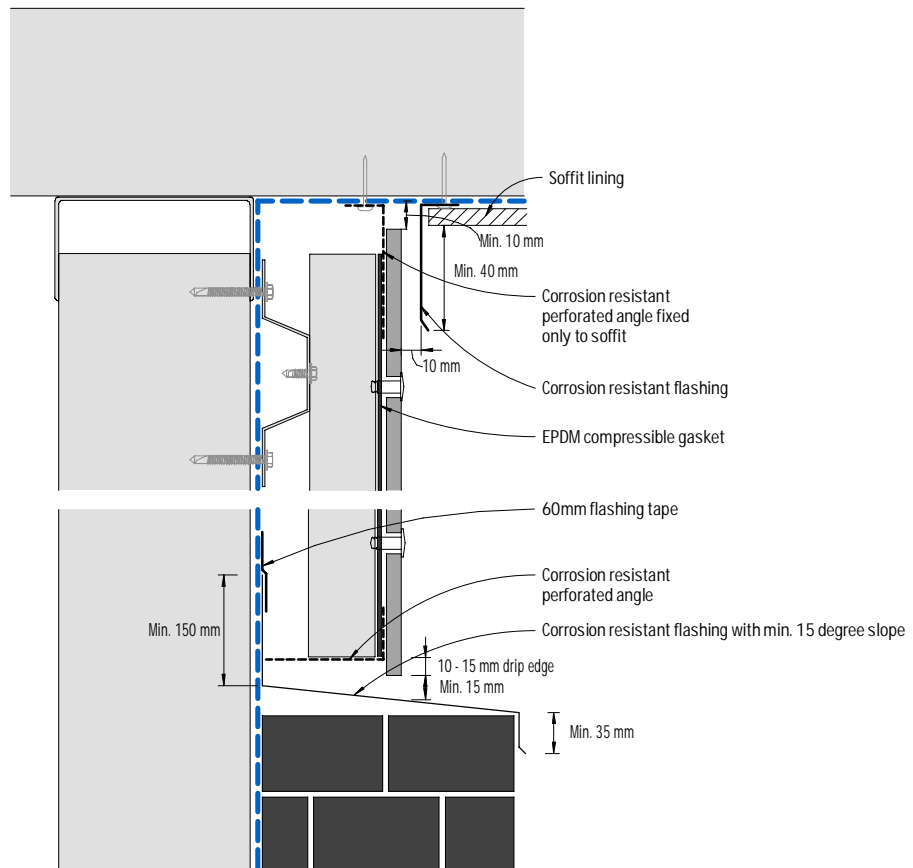


Figure 24: Junction with other materials, eaves or the like - recessed detail

Notes

- 1) Support frame profiles must NOT be fixed crossing over a control joint.
- 2) Corrosion resistant perforated angle shall be of max. thickness of 0.9mm where located between panel and support frame, and be of min. 50% open area with aperture size of 3-5mm.

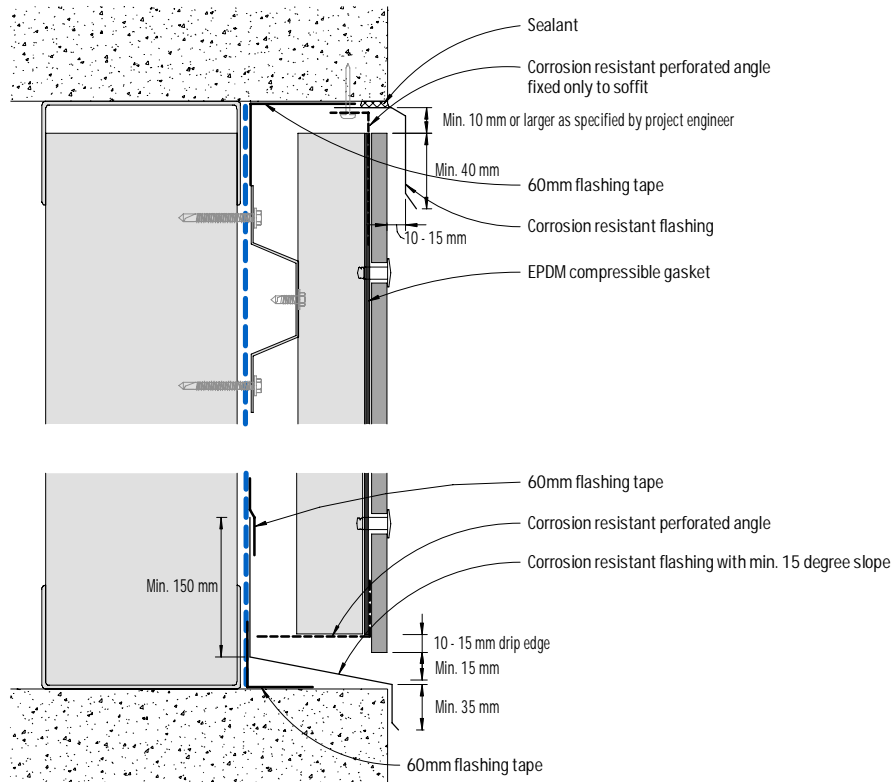


Figure 25: Exposed concrete slab or beam - Cladding flush

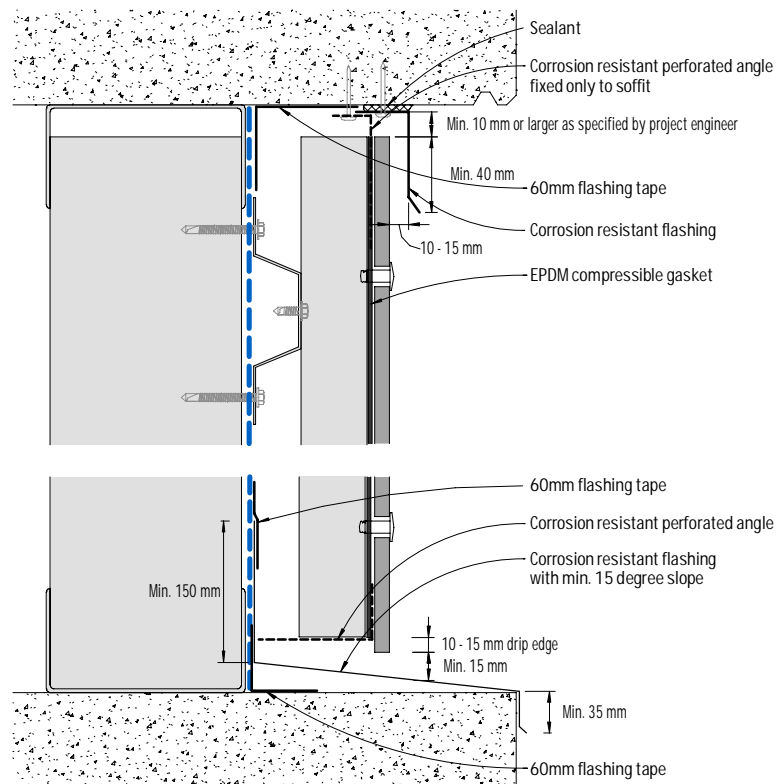


Figure 26: Exposed concrete slab or beam - Cladding recessed

Notes

- 1) Support frame profiles must NOT be fixed crossing over a control joint.
- 2) Corrosion resistant perforated angle shall be of max. thickness of 0.9mm where located between panel and support frame, and be of min. 50% open area with aperture size of 3-5mm.

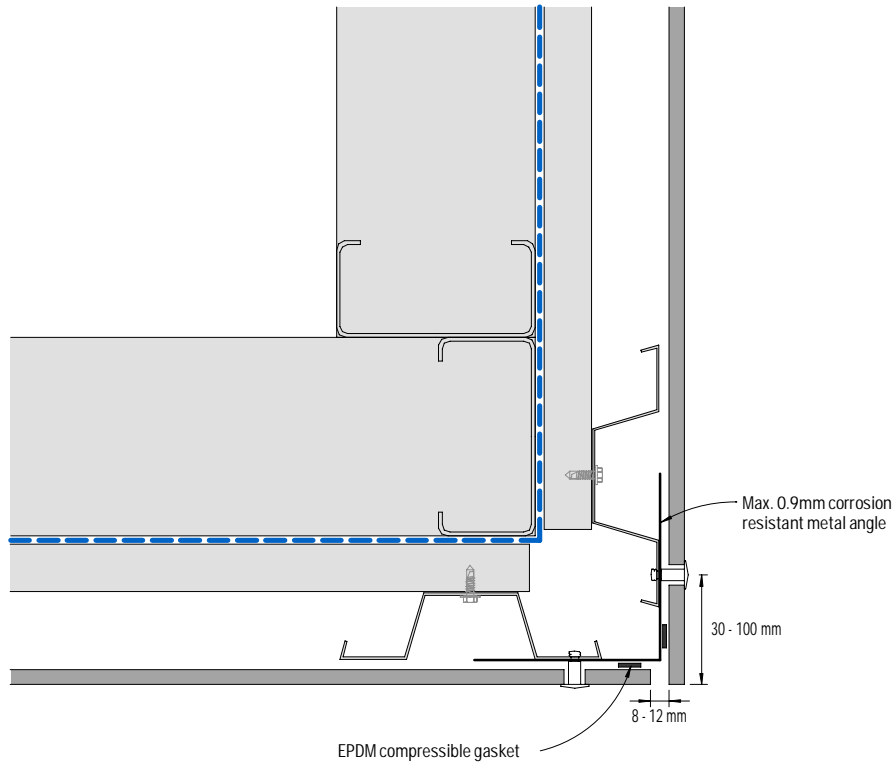


Figure 27: External corner - Detail 1

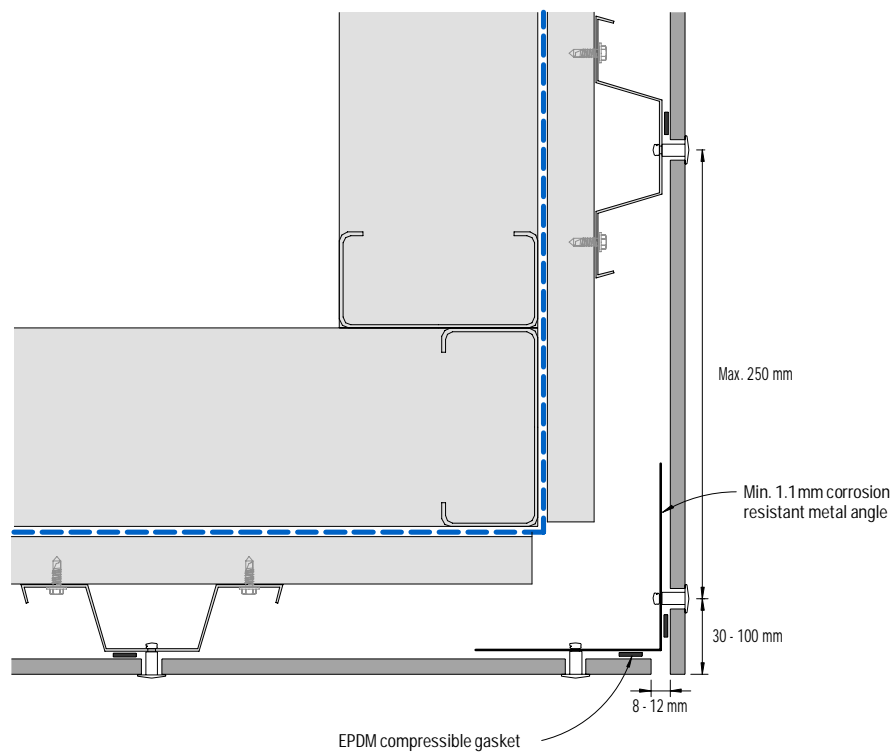


Figure 28: External corner - Detail 2

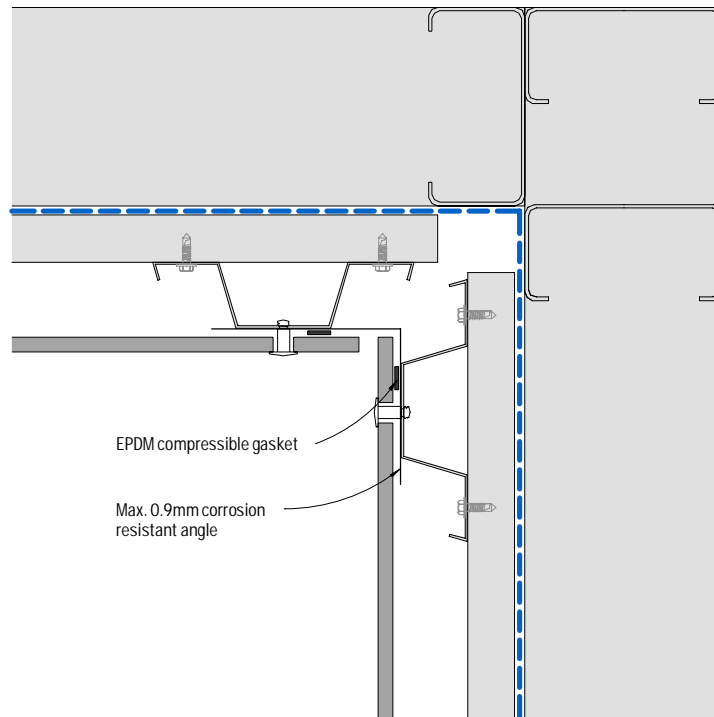


Figure 29: Internal corner

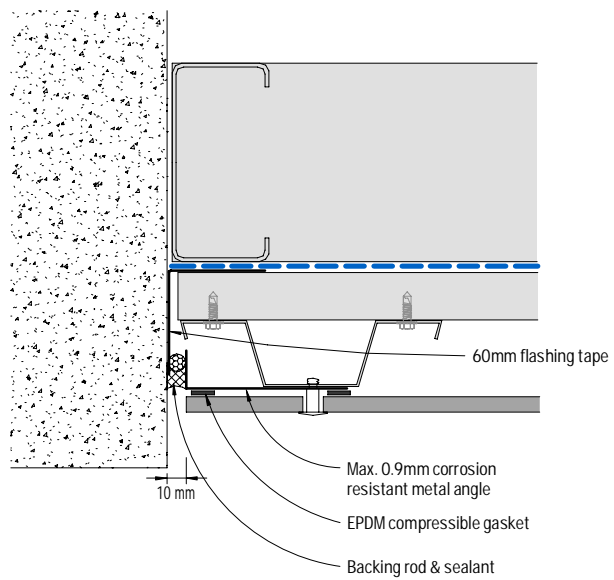


Figure 30: Abutment

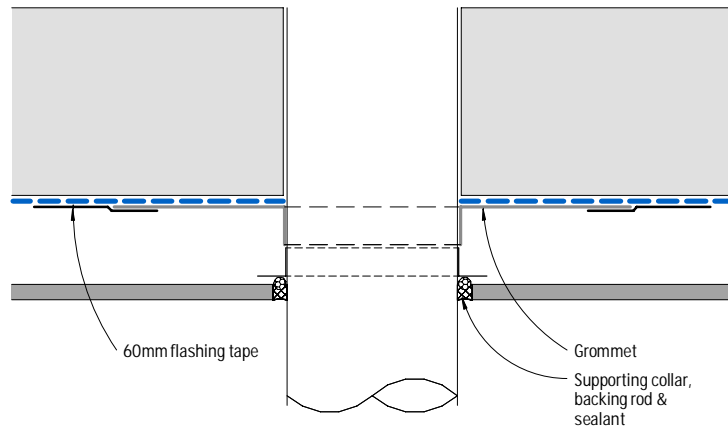


Figure 31: Pipe penetration - Plan view

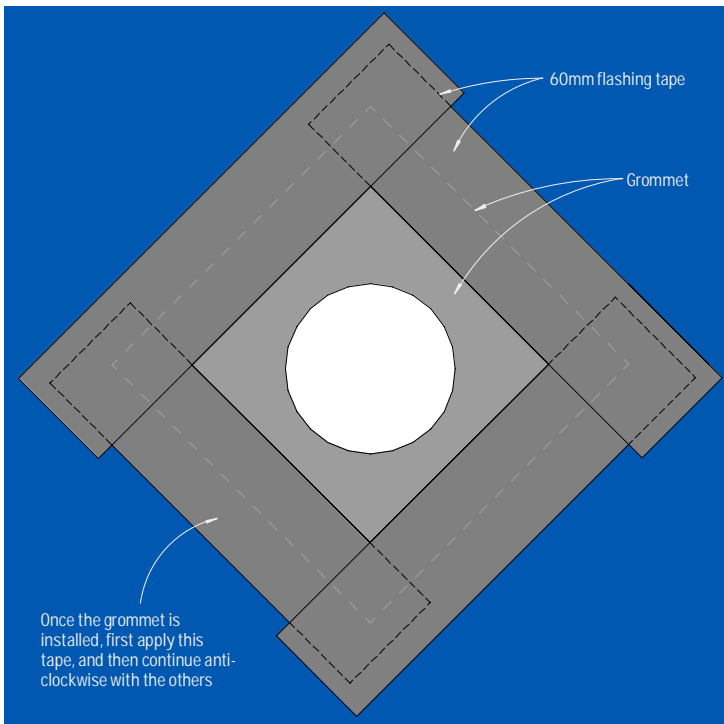


Figure 32: Pipe penetration - Elevation

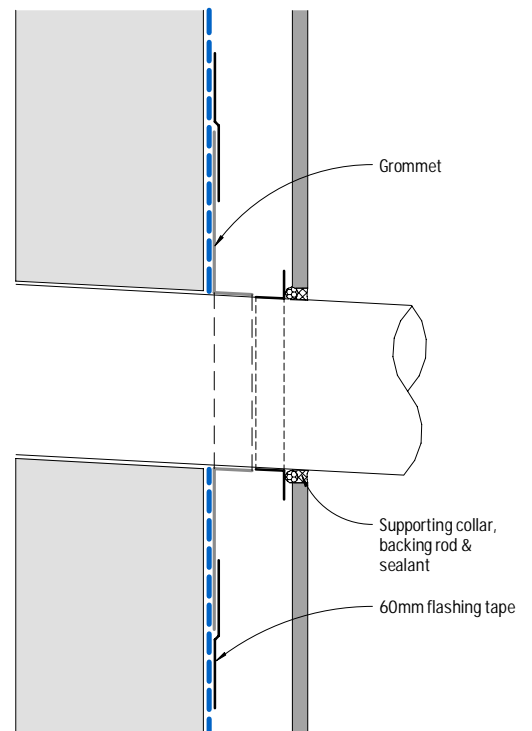


Figure 33: Pipe penetration - Section

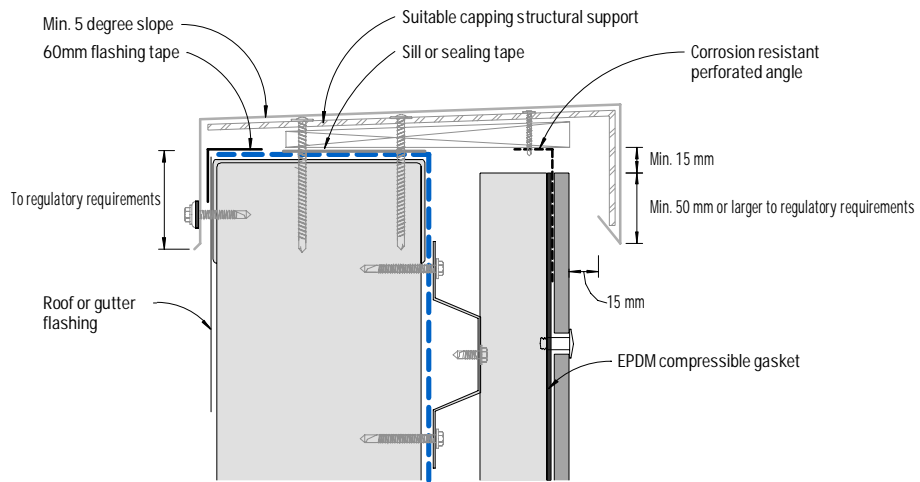


Figure 34: Capping - Detail 1

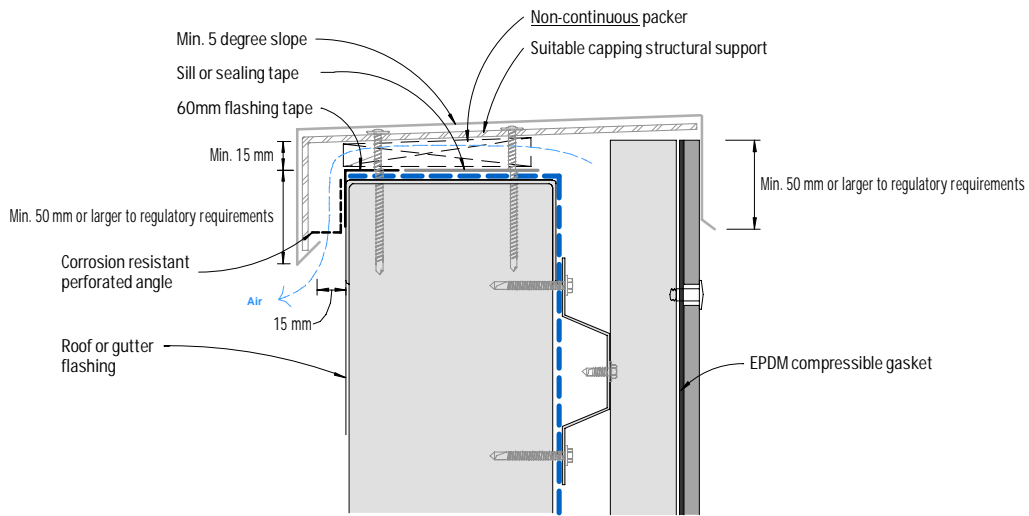


Figure 35: Capping - Detail 2
(Not suitable for EQUITONE [material])

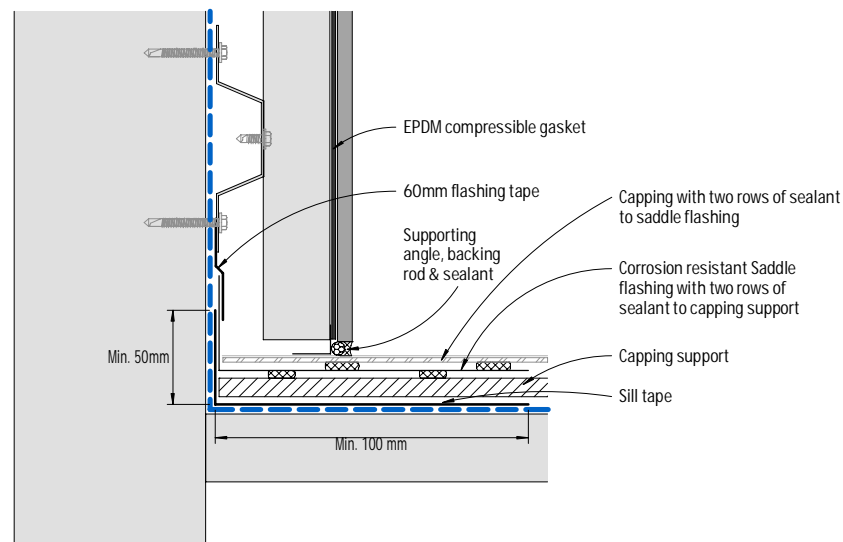


Figure 36: Parapet junction - Section

Notes

- 1) For EQUITONE [material], the following capping dimensions should be followed.
 - A minimum 20mm between panel face and rear of the capping
 - A minimum 50mm overlap with the panel for building up to 8m or larger to regulatory requirements.
 - A minimum 80mm overlap with the panel for building up to 20m or larger to regulatory requirements.
 - A minimum 100mm overlap with the panel for building over 20m or larger to regulatory requirements.
- 2) Any face fixings of capping shall be through an over sized hole (by min 5mm) in the capping as well as the panel.
- 3) Corrosion resistant perforated angle shall be of max. thickness of 0.9mm where located between panel and support frame, and be of min. 50% open area with aperture size of 3-5mm.
- 4) Capping shall be designed and engineered accordingly to provide adequate allowance for ventilation as shown in Figures 34 & 35.

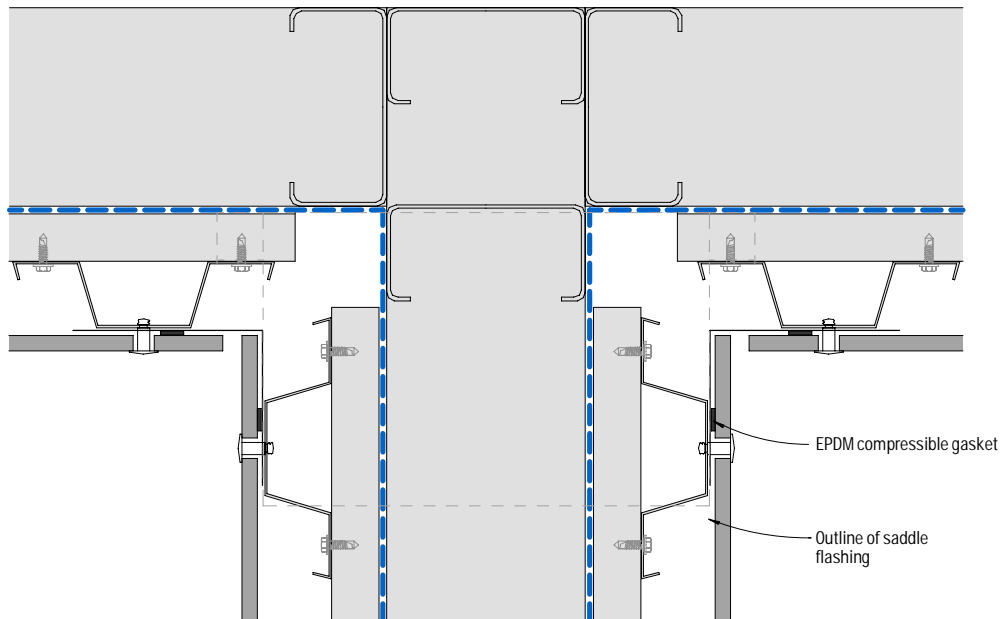


Figure 37: Parapet junction - Plan view

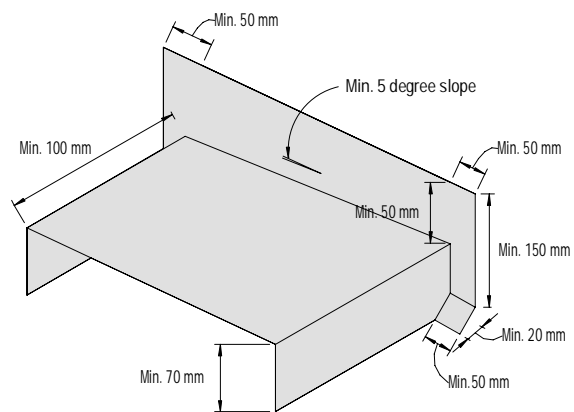
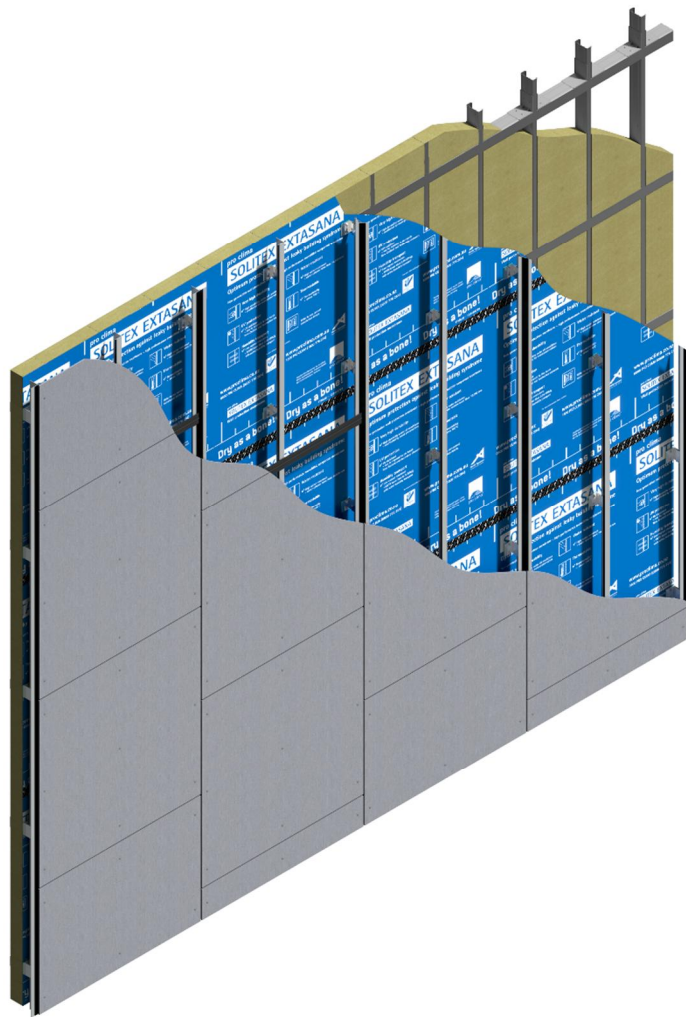


Figure 38: Corrosion resistant saddle flashing

EQUITONE system



flexible air barrier (pliable membrane)
aluminium bracketry construction

Support frame

EQUITONE may be fixed to NVELOPE NV1 thermally broken aluminium bracketry framing system.

Support frame shall be of adequate corrosion resistance required for the project.

Structure and support frame shall be designed to relevant standards including, but not limited to, the following:

- AS/NZS 1664.1 – Aluminium structures
- AS/NZS 4600 – Cold-formed steel structures
- NZS 3404 – Steel structures
- NZS 3604 – Timber framed buildings

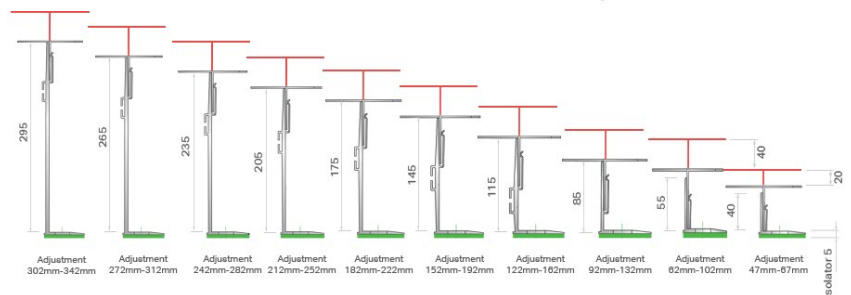
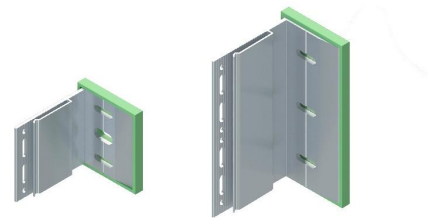
Thermal isolator gasket

Used to minimise thermal bridging, and to separate aluminium from steel or concrete.



Bracket

NVELOPE aluminium brackets are available in two sizes, ie single and double, with various depths to suit a wide range of cavity widths from approx. 50 to 300mm.



Vertical rail (profile)

NVELOPE aluminium vertical L and T rails
 Minimum face width of T rail: 120 mm
 Minimum face width of L rail: 40 mm



Notes

Support frame and its connection to substructure shall be designed by project engineer in accordance with the relevant standards. Refer to UNI Rivet span tables for maximum vertical and horizontal spacing of panel fixings. The application of NVELOPE system shall be in accordance with its supplier's recommendations and guidelines. Refer to NVELOPE and EQUITONE brochure for detailed information on NVELOPE components and their available sizes and options.

Drawings index

Detail	Figure	Page
Baffled horizontal joint	1	47
Baffled horizontal joint junction with vertical joint - Elevation	2	47
Vertical joint - Detail 1	3	48
Vertical joint - Detail 2	4	48
Vertical joint - Detail 3	5	48
Intermediate panel fixings connection	6	48
Horizontal control joint	7	49
EPDM gasket support over control joint or the like	8	49
Vertical control joint	9	49
Flush window - Head and sill	10	50
Flush window - Jamb	11	50
Recessed window - Head and sill	12	51
Recessed window jamb - Option 1	13	51
Recessed window jamb - Option 2	14	51
Meter box - Section	15	52
Meter box - Plan view - Detail 1	16	52
Meter box - Plan view - Detail 2	17	52
Isometric view of window/meter box opening - Tape application	18	53
Soffit junction	19	53
Base detail	20	54
Base detail - Covered area	21	54
Base detail - Balcony	22	54
Junction with other materials - flush detail	23	55
Junction with other materials, eaves or the like - recessed detail	24	55
Exposed concrete slab or beam - Cladding flush	25	56
Exposed concrete slab or beam - Cladding recessed	26	56
External corner - Detail 1	27	57
External corner - Detail 2	28	57
Internal corner	29	58
Abutment	30	58
Pipe penetration - Plan view	31	59
Pipe penetration - Elevation	32	59
Pipe penetration - Section	33	59
Capping - Detail 1	34	60
Capping - Detail 2	35	60
Parapet junction - Section	36	60
Parapet junction - Plan view	37	61
Corrosion resistant saddle flashing	38	61

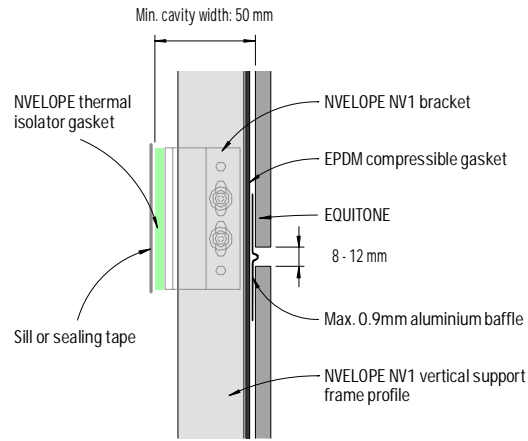


Figure 1: Baffled horizontal joint
(Not suitable for EQUITONE [materia])

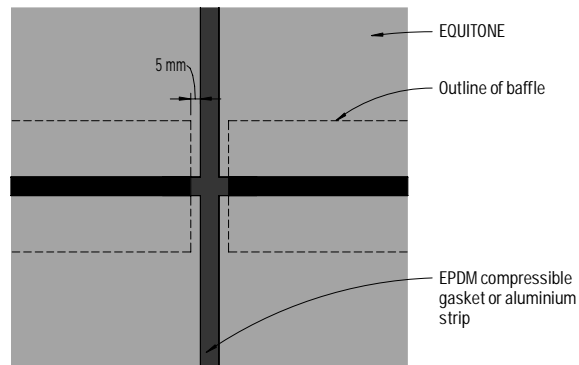


Figure 2: Baffled horizontal joint
junction with vertical joint - Elevation

Notes

- 1) Depending on the project requirements max. 0.9mm (powder) coated aluminium strip may be used in lieu of EPDM strip on vertical joints for higher UV resistance.
- 2) EQUITONE [materia] requires open horizontal panel joints. Horizontal open joint detail requires project engineer's evaluation and approval, and the selection of appropriate rigid and UV resistant weather resistive barrier (membrane).

Intermediate (narrow) EPDM compressible gasket may be applied as shown in dashed line, replacing the wide one, where the metal strip behind is of desired colour

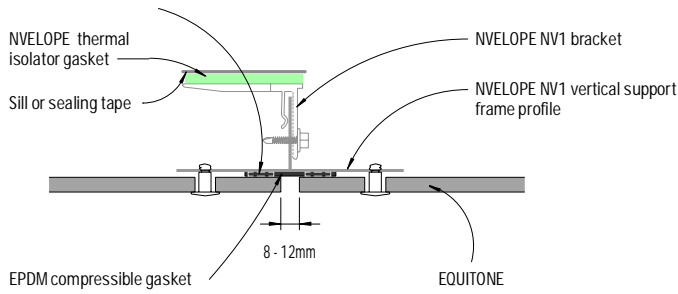


Figure 3: Vertical joint - Detail 1

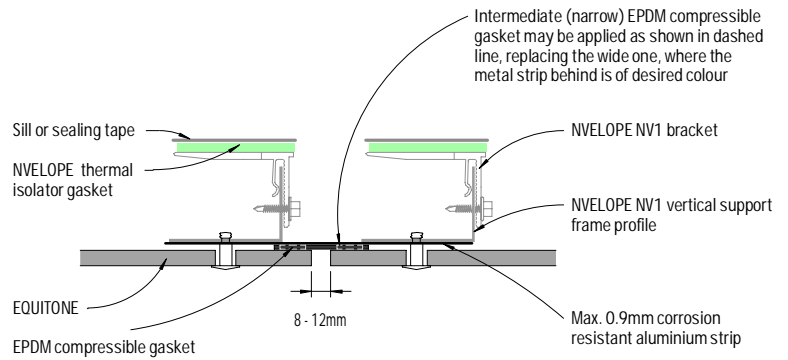


Figure 4: Vertical joint - Detail 2

Intermediate (narrow) EPDM compressible gasket may be applied as shown in dashed line, replacing the wide one, where the metal strip behind is of desired colour

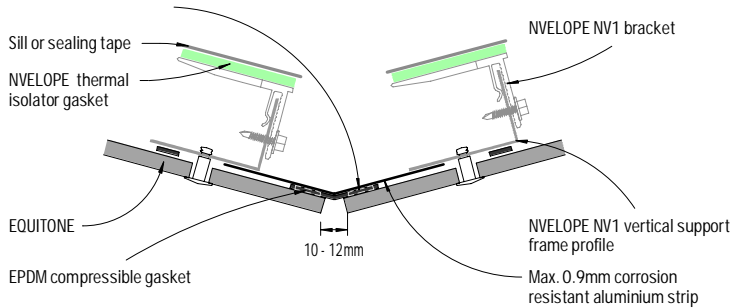


Figure 5: Vertical joint - Detail 3

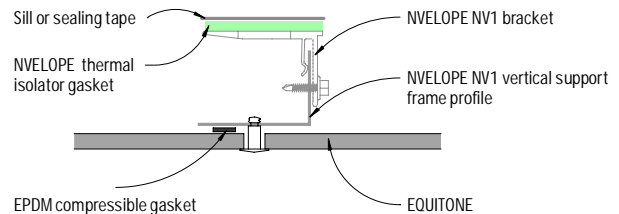


Figure 6: Intermediate panel fixings connection

Notes

- 1) Depending on the project requirements max. 0.9mm (powder) coated aluminium strip may be used in lieu of EPDM strip on vertical joints for higher UV resistance.
- 2) In Figure 4 & 5, the aluminium strip should be fixed ONLY to one of the support frame profiles (either left or right) where allowance for horizontal and/or vertical movement of the cladding frame is required.
- 2) EPDM compressible gasket strip is applied away from the panel hole, and usually to one side of the support frame profile as shown in Figure 6.

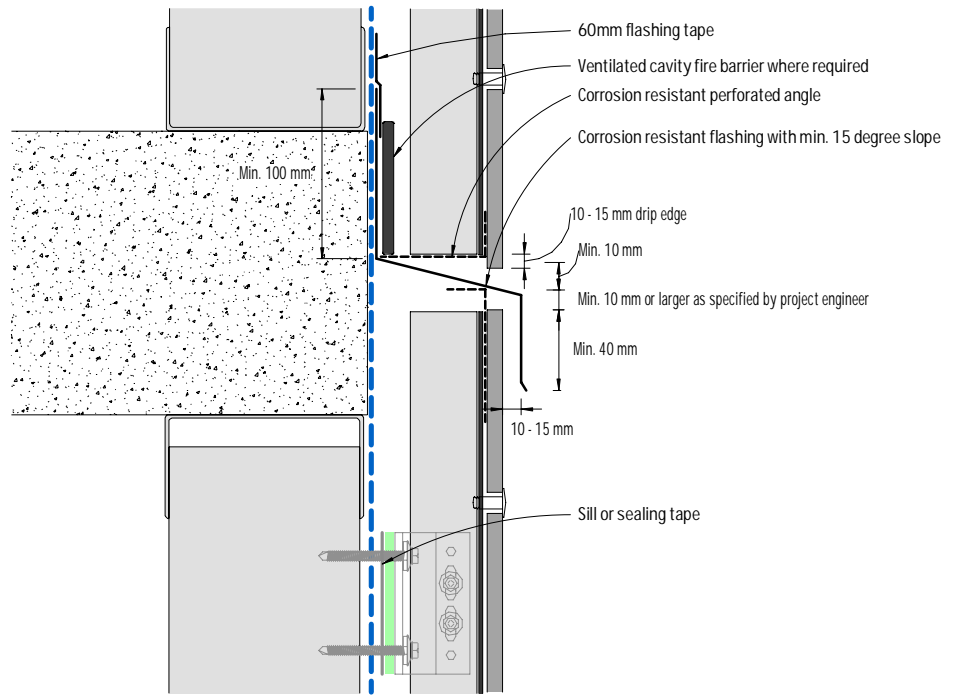


Figure 7: Horizontal control joint

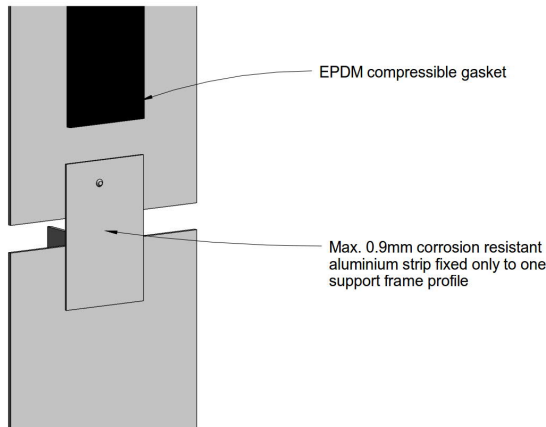


Figure 8: EPDM gasket support over control joint or the like

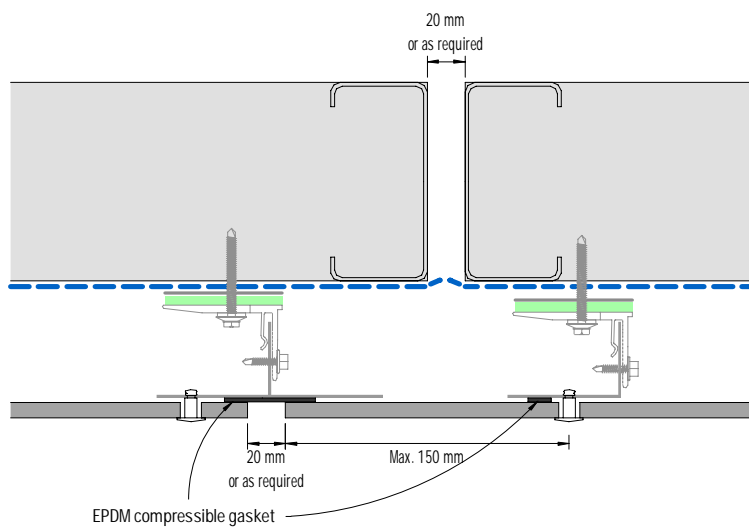


Figure 9: Vertical control joint

Notes

- 1) Support frame profiles must NOT be fixed crossing over a control joint.
- 2) Allowance for movement at the location of any control joint must be made in the cladding and its support frame design and installation. Panel must NOT be fixed bridging over any control joint.
- 3) Corrosion resistant perforated angle shall be of max. thickness of 0.9mm where located between panel and support frame, and be of min. 50% open area with aperture size of 3-5mm.

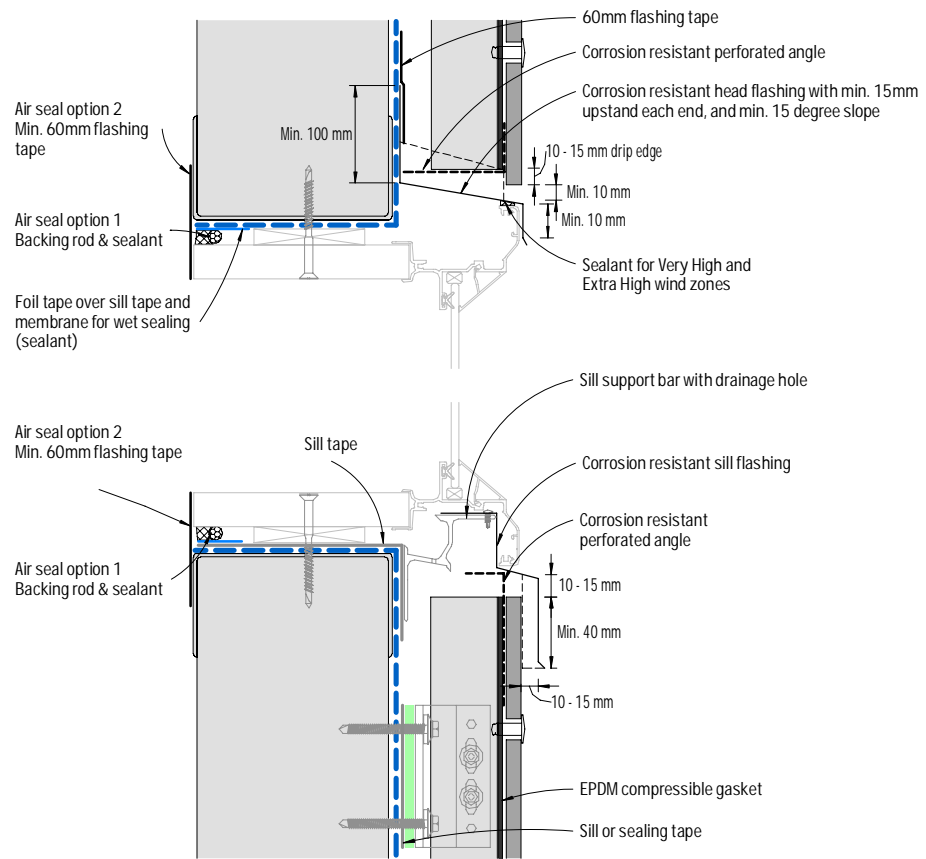


Figure 10: Flush window - Head and sill

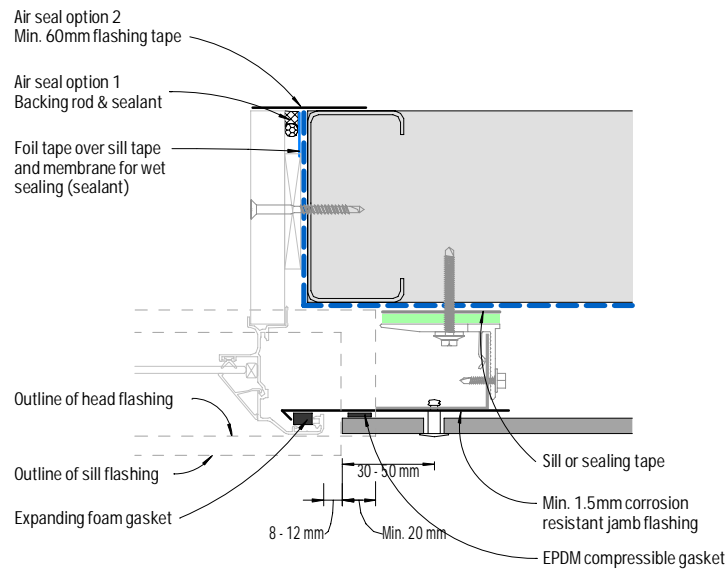


Figure 11: Flush window - Jamb

Notes

- 1) ONLY sealant compatible with the foil tape should be used. Should any sealant be intended to be used directly on the flashing and/or sill tape it must be confirmed with its manufacturer to ensure compatibility with these tapes in accordance with the relevant standards.
- 2) Corrosion resistant perforated angle shall be of max. thickness of 0.9mm where located between panel and support frame, and be of min. 50% open area with aperture size of 3-5mm.

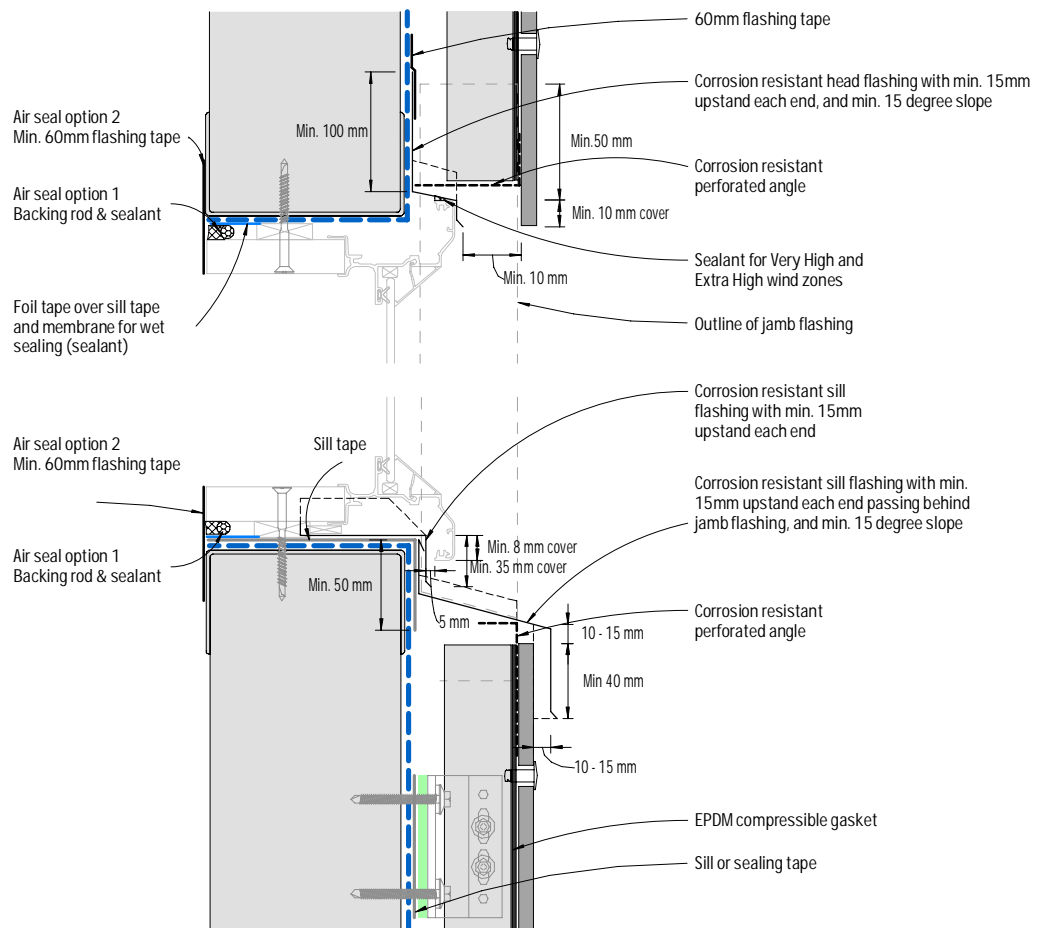


Figure 12: Recessed window - Head and sill

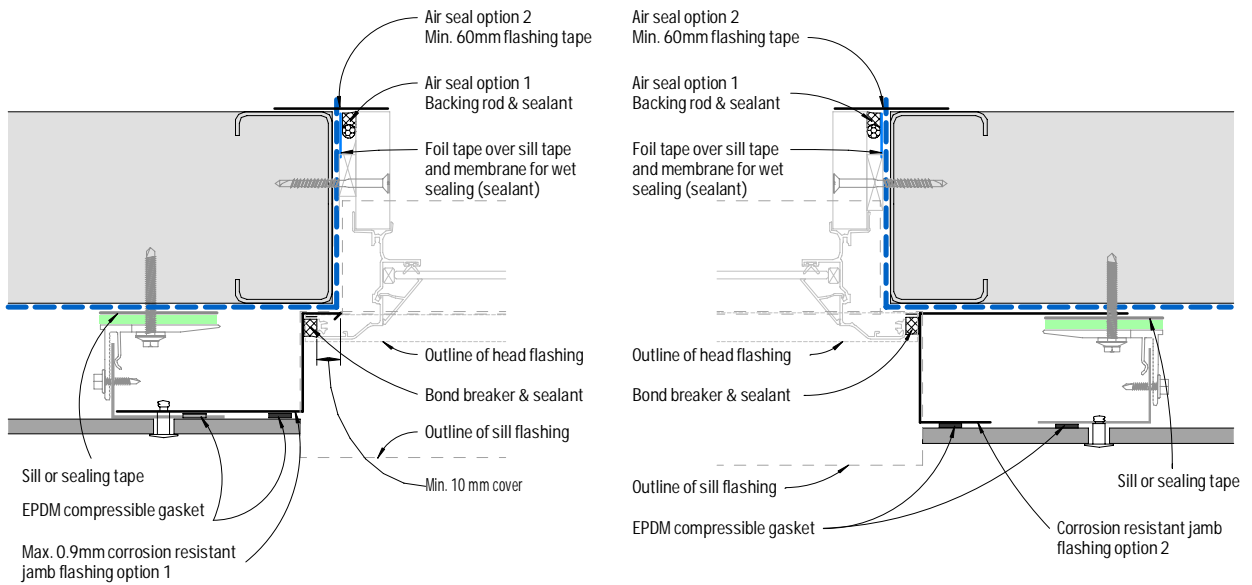


Figure 13: Recessed window jamb - Option 1

Figure 14: Recessed window jamb - Option 2

Notes

- 1) ONLY sealant compatible with the foil tape should be used. Should any sealant be intended to be used directly on the flashing and/or sill tape it must be confirmed with its manufacturer to ensure compatibility with these tapes in accordance with the relevant standards.
- 2) Corrosion resistant perforated angle shall be of max. thickness of 0.9mm where located between panel and support frame, and be of min. 50% open area with aperture size of 3-5mm.

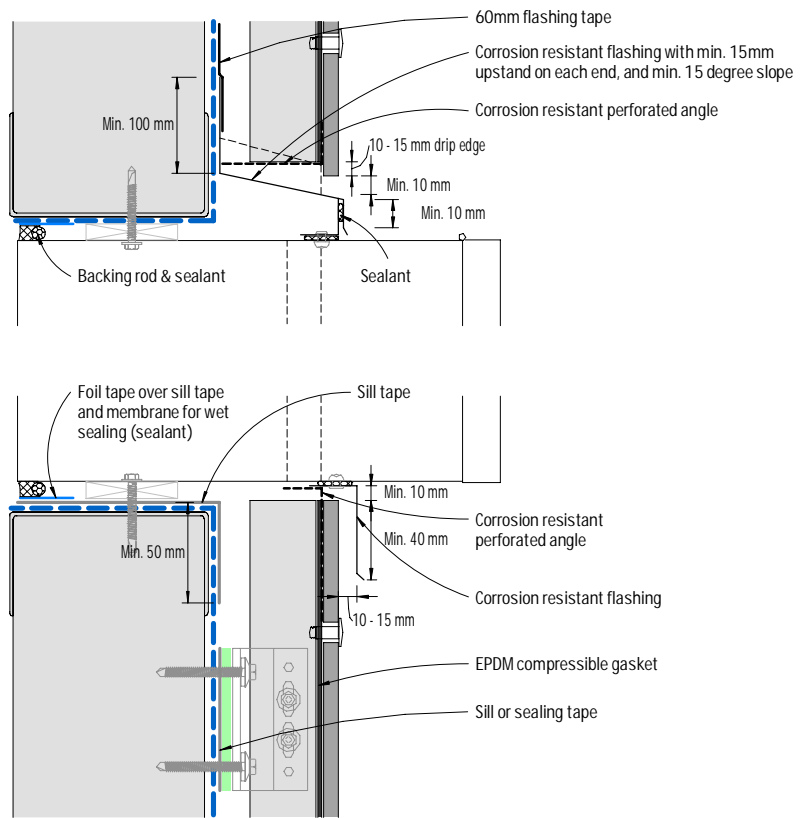


Figure 15: Meter box - Section

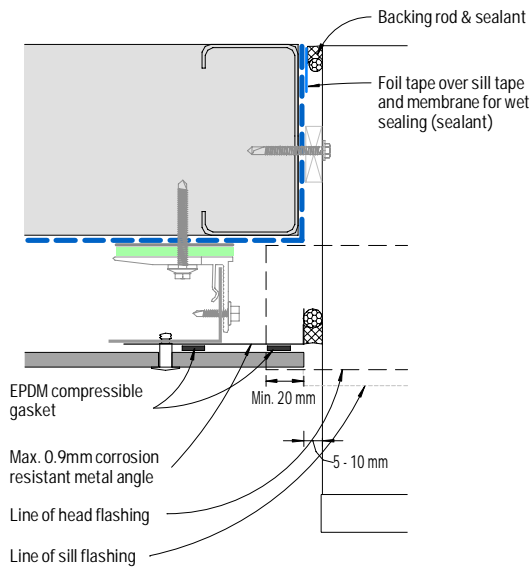


Figure 16: Meter box - Plan view - Detail 1

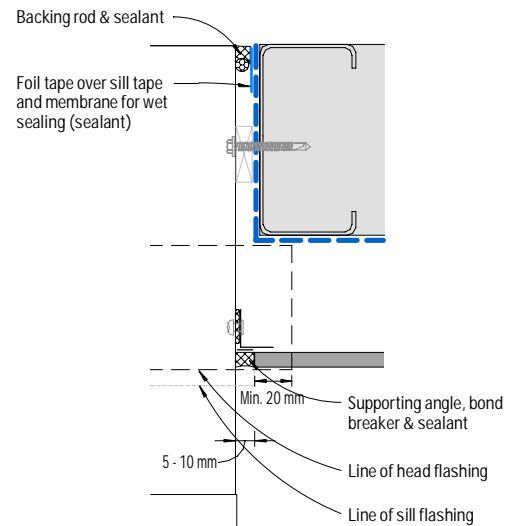


Figure 17: Meter box - Plan view - Detail 2

Notes

- 1) ONLY sealant compatible with the foil tape should be used. Should any sealant be intended to be used directly on the flashing and/or sill tape it must be confirmed with its manufacturer to ensure compatibility with these tapes in accordance with the relevant standards.
- 2) Corrosion resistant perforated angle shall be of max. thickness of 0.9mm where located between panel and support frame, and be of min. 50% open area with aperture size of 3-5mm.

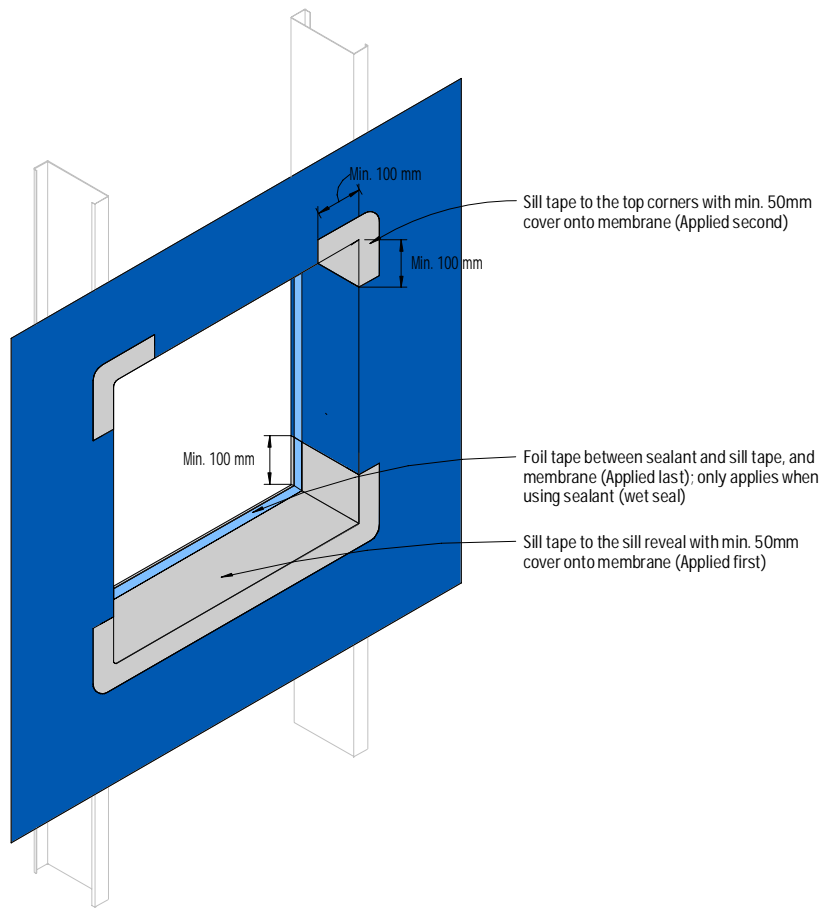


Figure 18: Isometric view of window/meter box opening - Tape application

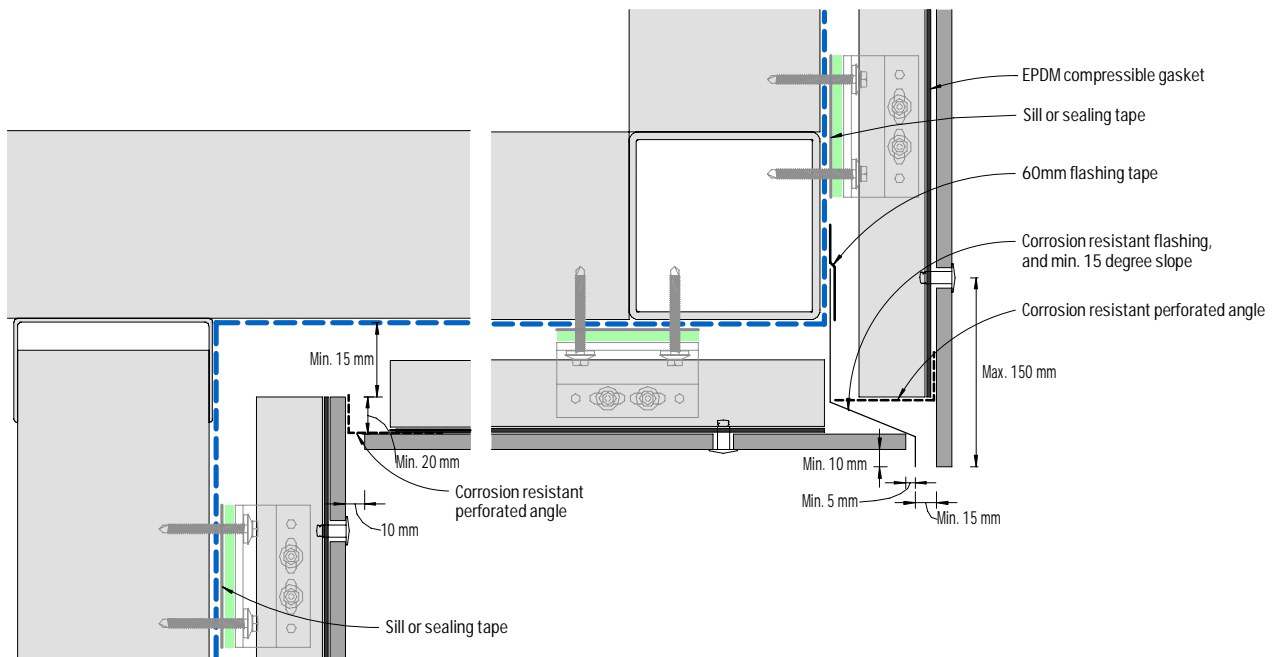


Figure 19: Soffit junction

Notes

- 1) ONLY sealant compatible with the foil tape should be used. Should any sealant be intended to be used directly on the flashing and/or sill tape it must be confirmed with its manufacturer to ensure compatibility with these tapes in accordance with the relevant standards.
- 2) Support frame profiles must NOT be fixed crossing over a control joint.
- 3) Corrosion resistant perforated angle shall be of max. thickness of 0.9mm where located between panel and support frame, and be of min. 50% open area with aperture size of 3-5mm.

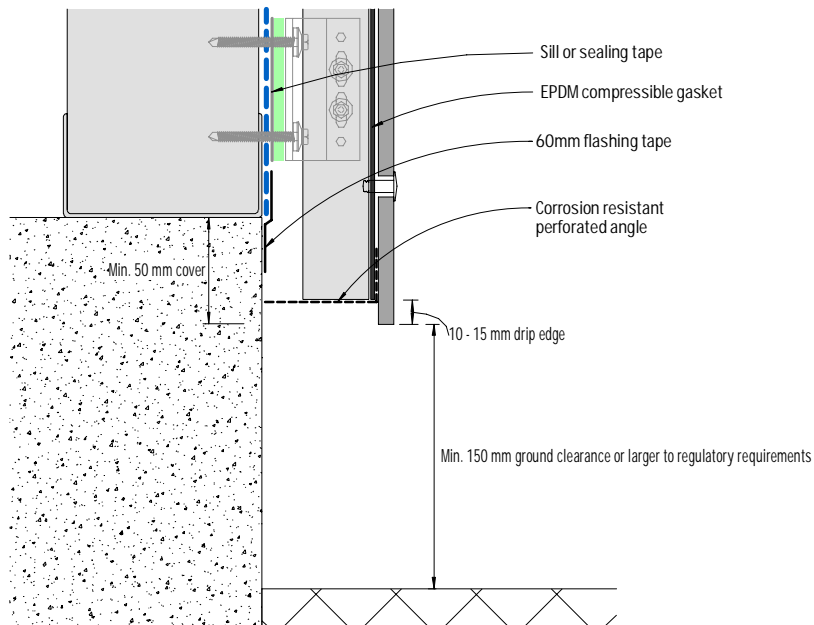


Figure 20: Base detail

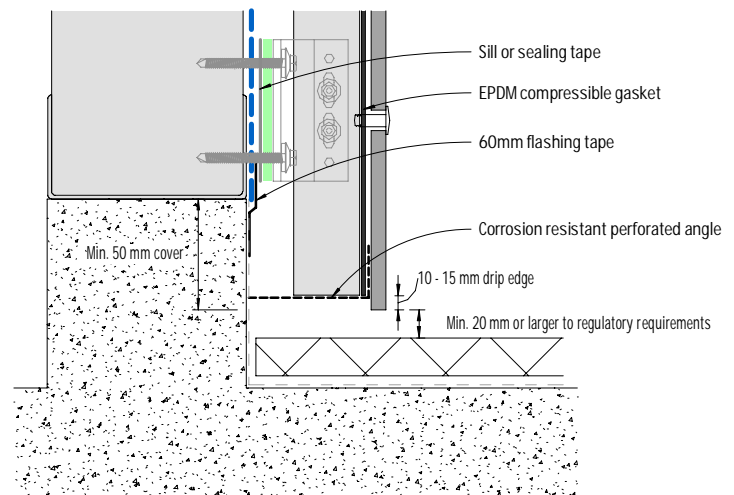


Figure 21: Base detail - Covered area

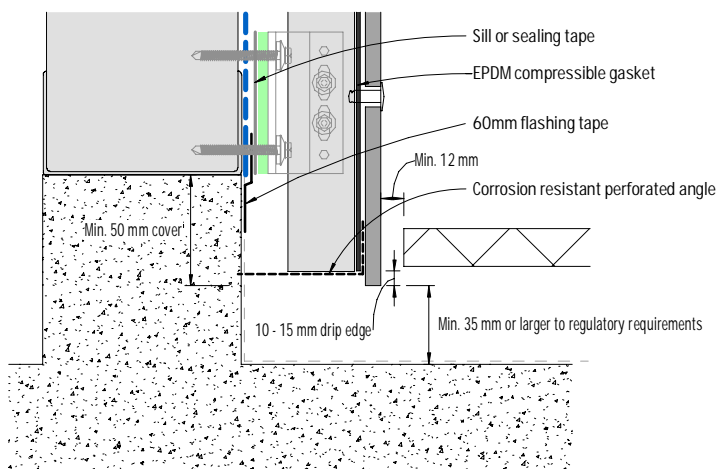


Figure 22: Base detail - Balcony

Notes

1) For **EQUITONE [materia]**, minimum ground clearance is **300mm**.

2) Corrosion resistant perforated angle shall be of max. thickness of 0.9mm where located between panel and support frame, and be of min. 50% open area with aperture size of 3-5mm.

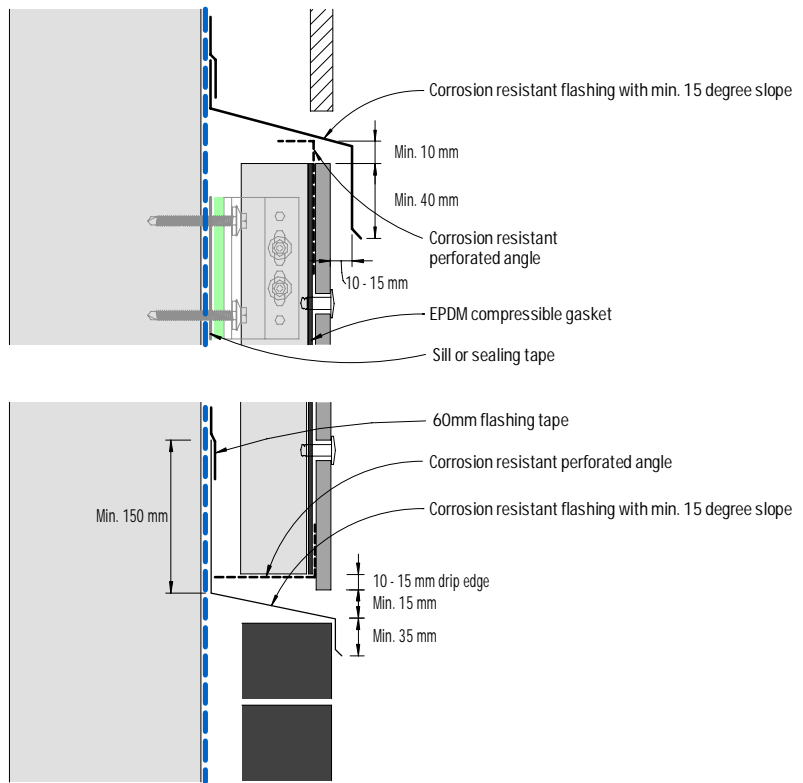


Figure 23: Junction with other materials - flush detail

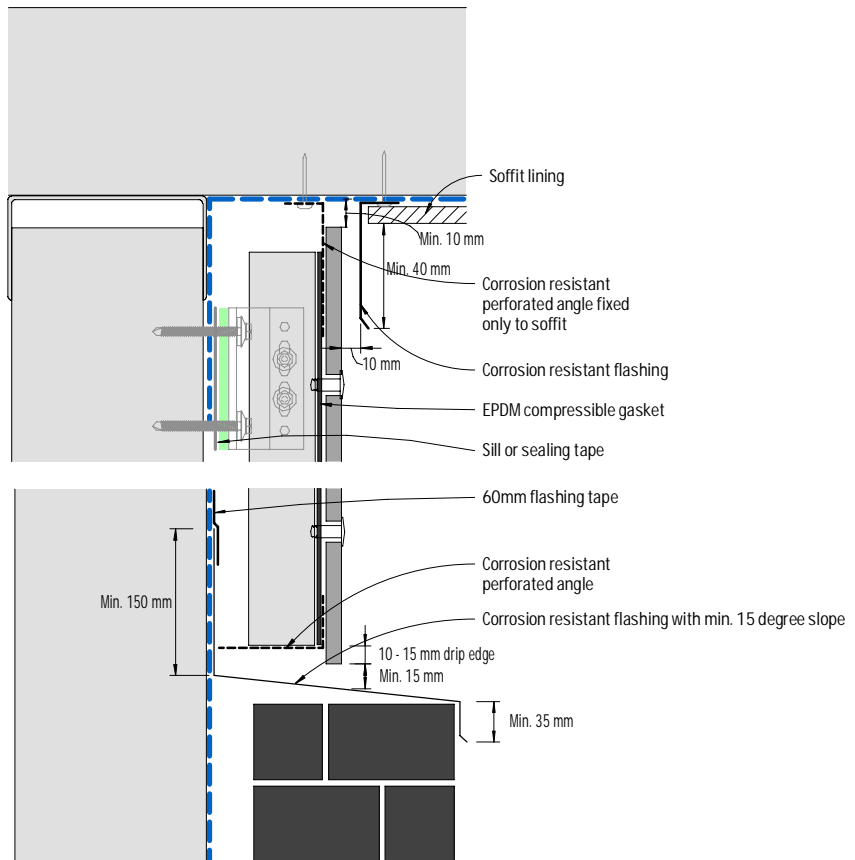


Figure 24: Junction with other materials, eaves or the like - recessed detail

Notes

- 1) Support frame profiles must NOT be fixed crossing over a control joint.
- 2) Corrosion resistant perforated angle shall be of max. thickness of 0.9mm where located between panel and support frame, and be of min. 50% open area with aperture size of 3-5mm.

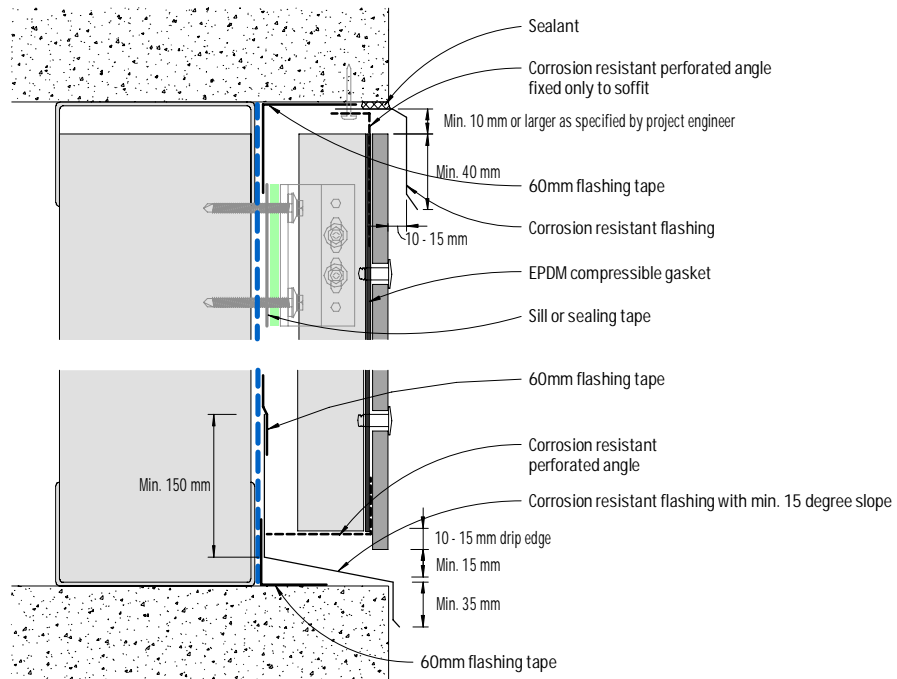


Figure 25: Exposed concrete slab or beam - Cladding flush

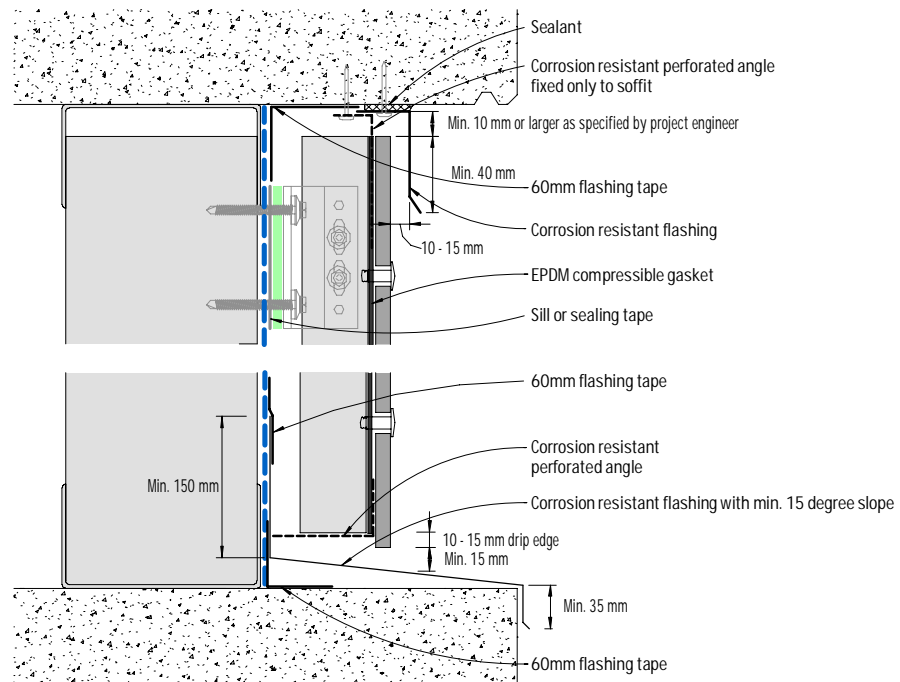


Figure 26: Exposed concrete slab or beam - Cladding recessed

Notes

- 1) Refer to Pro Clima's flashing tape application guide for any pre-treatment required on concrete or masonry for the application of the flashing tape onto these substrates.
- 2) Support frame profiles must NOT be fixed crossing over a control joint.
- 3) Corrosion resistant perforated angle shall be of max. thickness of 0.9mm where located between panel and support frame, and be of min. 50% open area with aperture size of 3-5mm.

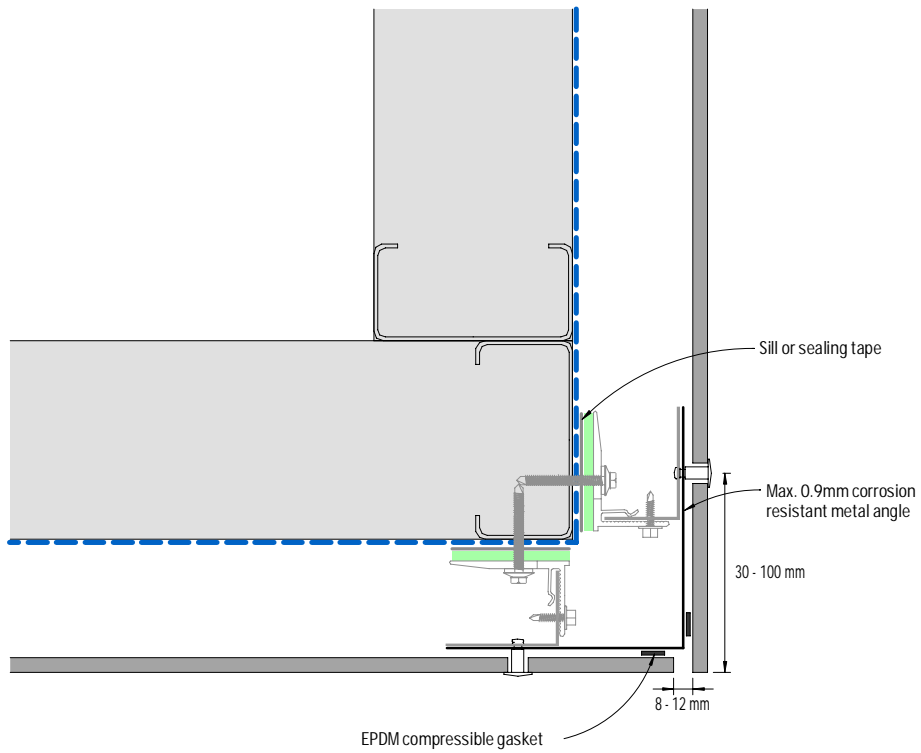


Figure 27: External corner - Detail 1

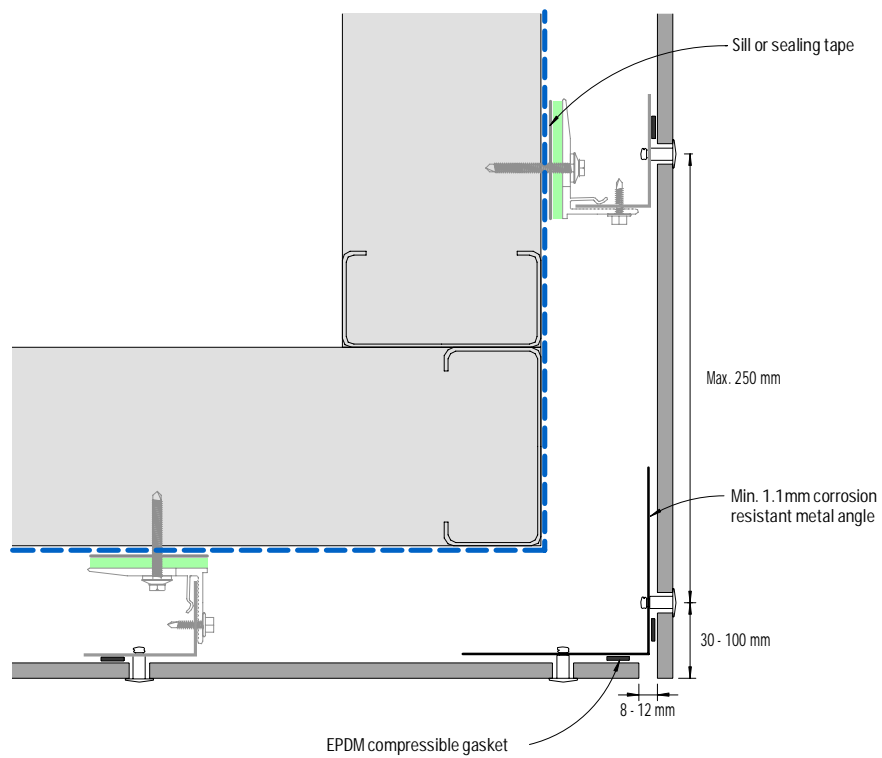


Figure 28: External corner - Detail 2

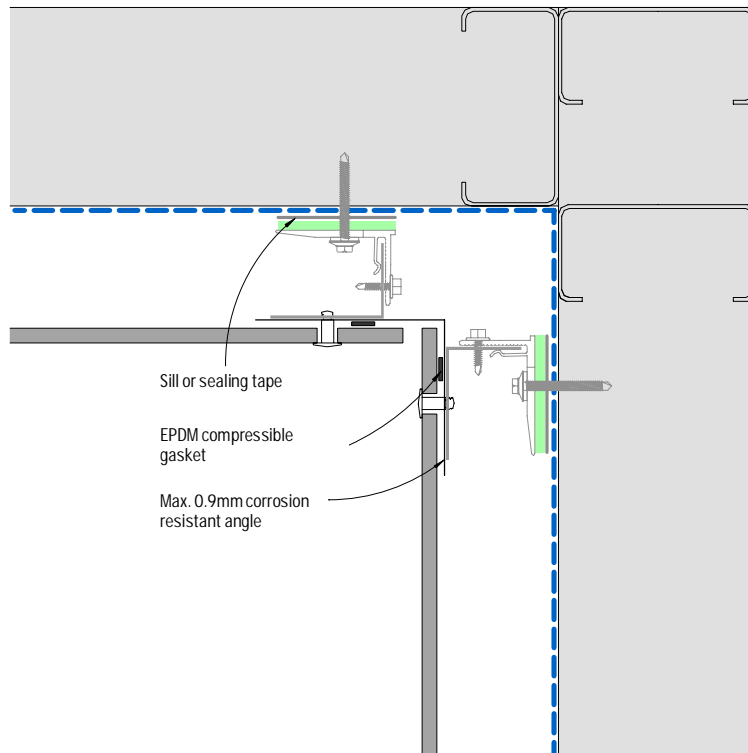


Figure 29: Internal corner

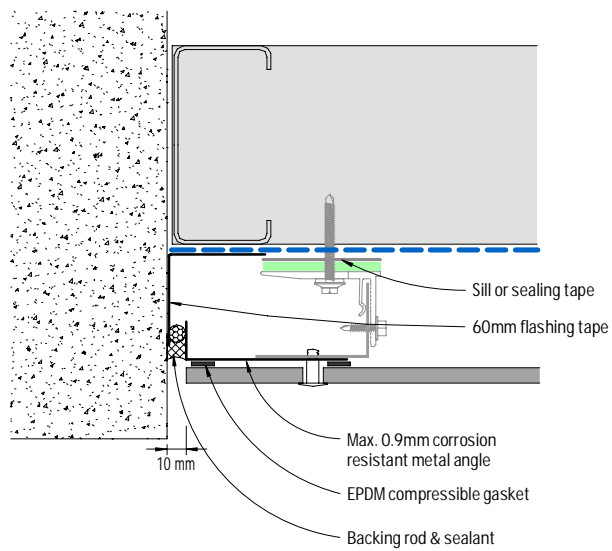


Figure 30: Abutment

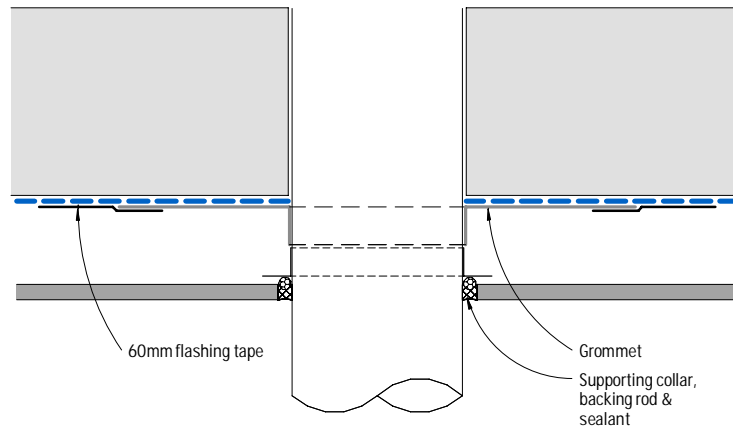


Figure 31: Pipe penetration - Plan view

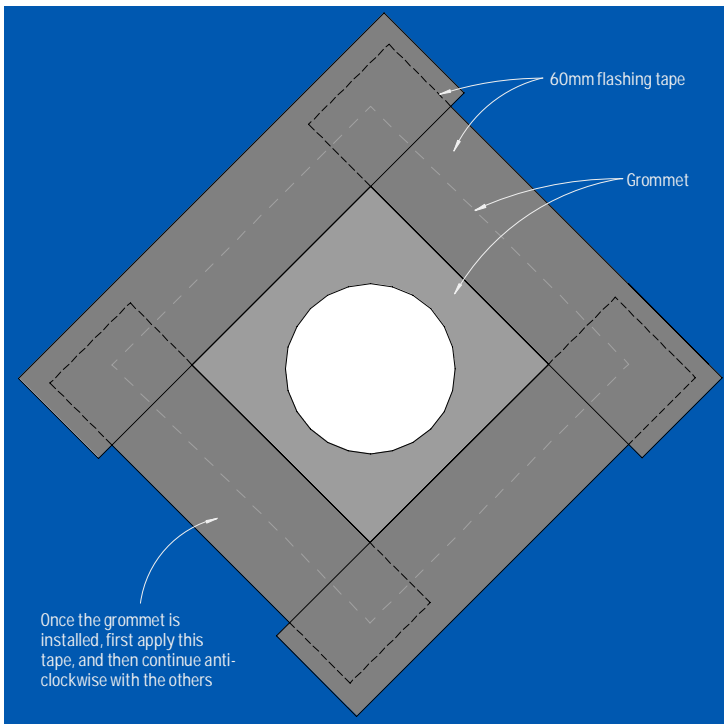


Figure 32: Pipe penetration - Elevation

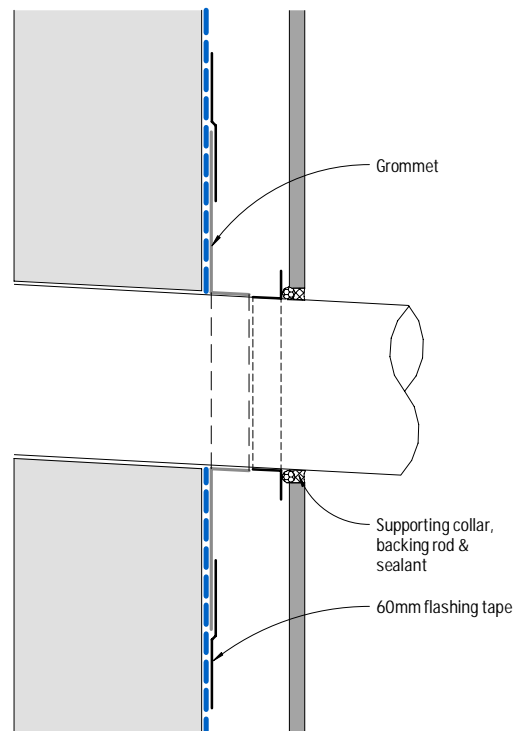


Figure 33: Pipe penetration - Section

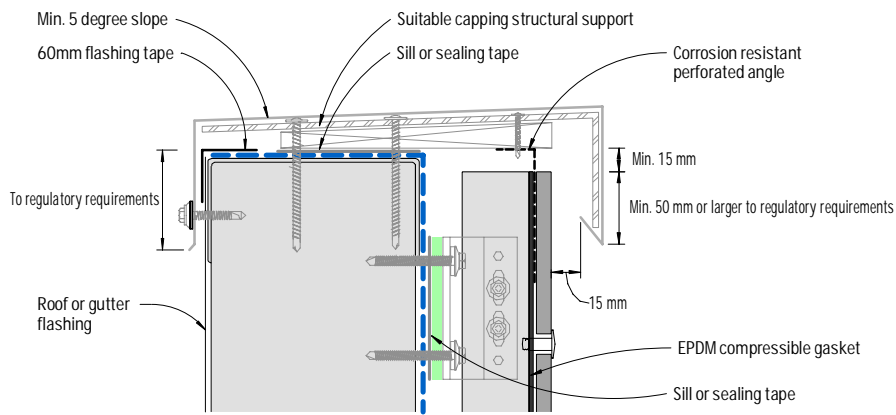


Figure 34: Capping - Detail 1

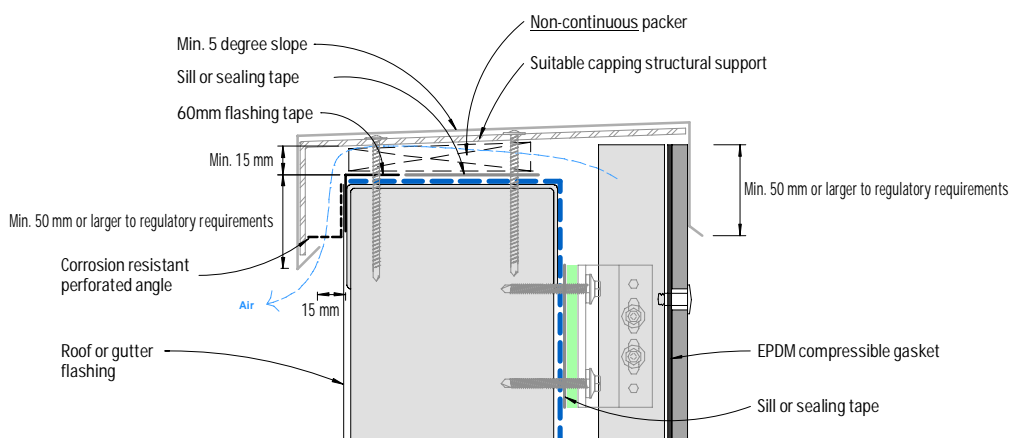


Figure 35: Capping - Detail 2
(Not suitable for EQUITONE [material])

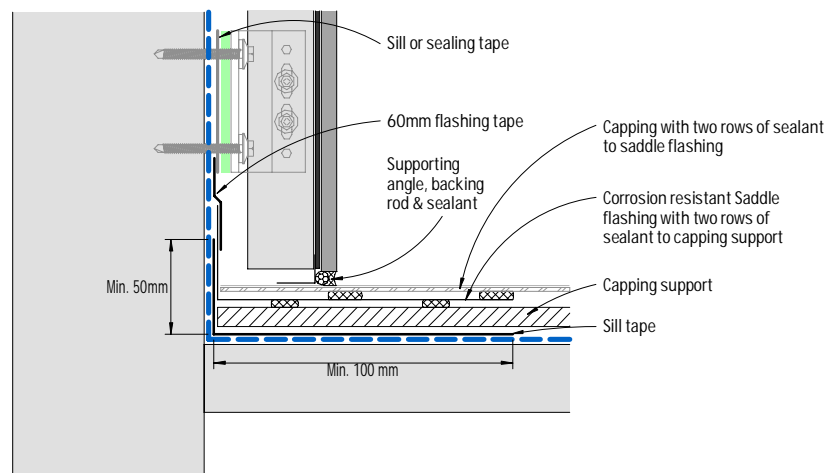


Figure 36: Parapet junction - Section

Notes

- 1) For EQUITONE [material], the following capping dimensions should be followed.
 - A minimum 20mm between panel face and rear of the capping
 - A minimum 50mm overlap with the panel for building up to 8m or larger to regulatory requirements.
 - A minimum 80mm overlap with the panel for building up to 20m or larger to regulatory requirements.
 - A minimum 100mm overlap with the panel for building over 20m or larger to regulatory requirements.
- 2) Any face fixings of capping shall be through an over sized hole (by min 5mm) in the capping as well as the panel.
- 3) Corrosion resistant perforated angle shall be of max. thickness of 0.9mm where located between panel and support frame, and be of min. 50% open area with aperture size of 3-5mm.
- 4) Capping shall be designed and engineered accordingly to provide adequate allowance for ventilation as shown in Figures 34 & 35.

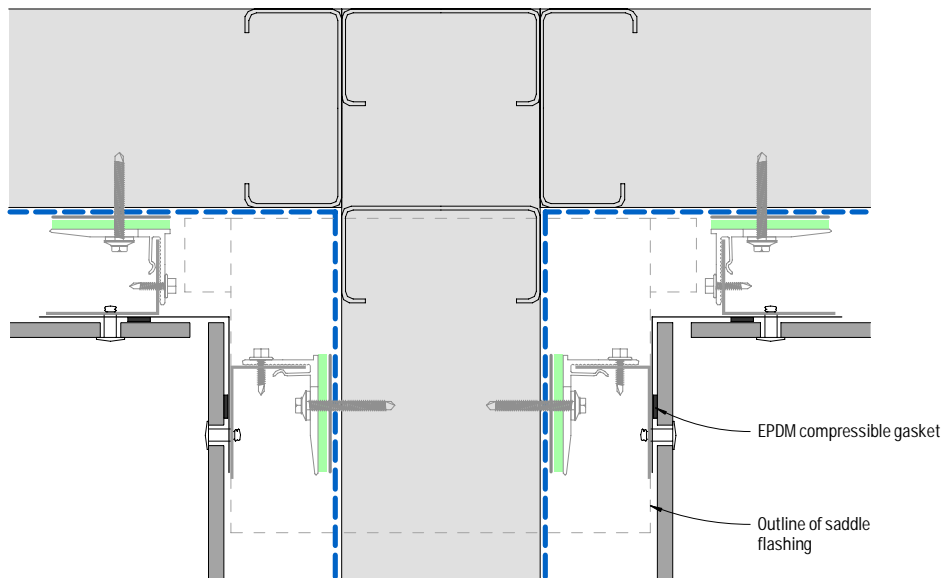


Figure 37: Parapet junction - Plan view

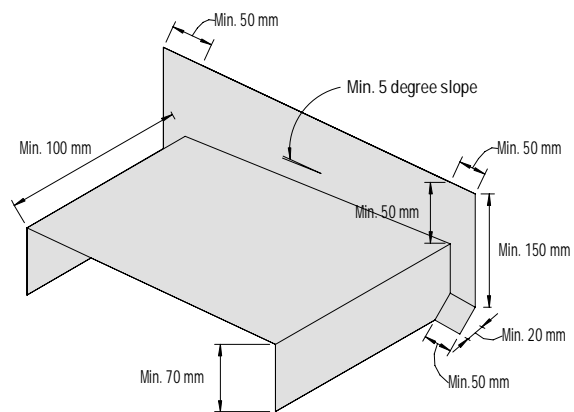


Figure 38: Corrosion resistant saddle flashing

EQUITONE system



rigid air barrier
single layer top hat construction

Support frame

EQUITONE may be fixed to vertical metal top hat profiles with minimum gauge (thickness) of 1.15mm BMT, minimum depth of 35mm and minimum width of 50 and 120mm for intermediate and joint profiles, respectively.

Metal top hats shall be of adequate corrosion resistance required for the project.

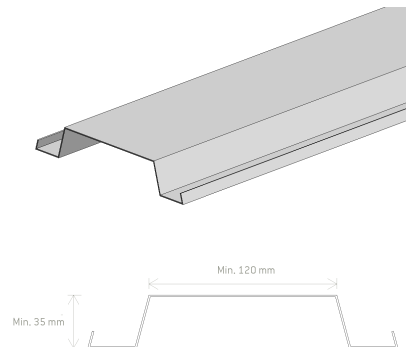
Maximum deflection of support framing must be limited to $\text{Span}/250$.

Structure and support frame shall be designed to relevant standards including, but not limited to, the following:

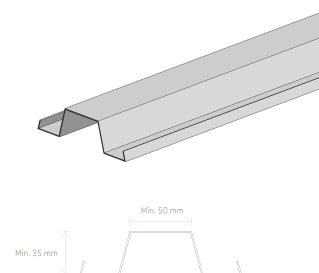
- AS/NZS 4600 – Cold-formed steel structures
- NZS 3404 – Steel structures
- NZS 3604 – Timber framed buildings

Top hat profiles

120 x 35 mm, minimum 1.15mm BMT
Located on vertical joints as specified on the construction details



50 x 35 mm, minimum 1.15mm BMT
For intermediate panel support as specified on the construction details



Notes

Support frame and its connection to substructure shall be designed by project engineer in accordance with the relevant standards. Refer to UNI Rivet span tables for maximum vertical and horizontal spacing of panel fixings.

Drawings index

Detail	Figure	Page
Baffled horizontal joint	1	65
Baffled horizontal joint junction with vertical joint - Elevation	2	65
Open horizontal joint	3	65
Open horizontal joint junction with vertical joint - Elevation	4	65
Vertical joint - Detail 1	5	66
Vertical joint - Detail 2	6	66
Vertical joint - Detail 3	7	66
Intermediate panel fixings connection	8	66
Horizontal control joint	9	67
EPDM gasket support over control joint or the like	10	67
Vertical control joint	11	67
Flush window - Head and sill	12	68
Flush window - Jamb	13	68
Recessed window - Head and sill	14	69
Recessed window jamb - Option 1	15	69
Recessed window jamb - Option 2	16	69
Meter box - Section	17	70
Meter box - Plan view - Detail 1	18	70
Meter box - Plan view - Detail 2	19	70
Isometric view of window/meter box opening - Tape application	20	71
Soffit junction	21	71
Base detail	22	72
Base detail - Covered area	23	72
Base detail - Balcony	24	72
Junction with other materials - flush detail	25	73
Junction with other materials, eaves or the like - recessed detail	26	73
Exposed concrete slab or beam - Cladding flush	27	74
Exposed concrete slab or beam - Cladding recessed	28	74
External corner - Detail 1	29	75
External corner - Detail 2	30	75
Internal corner	31	76
Abutment	32	76
Pipe penetration - Plan view	33	77
Pipe penetration - Elevation	34	77
Pipe penetration - Section	35	77
Capping - Detail 1	36	78
Capping - Detail 2	37	78
Parapet junction - Section	38	78
Parapet junction - Plan view	39	79
Corrosion resistant saddle flashing	40	79

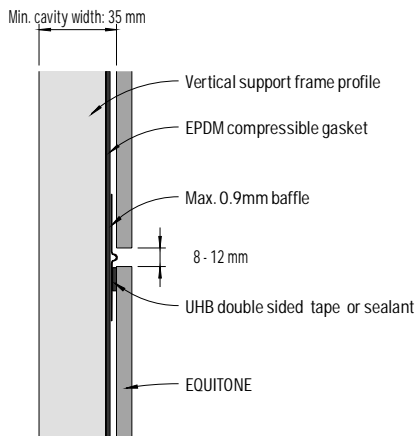


Figure 1: Baffled horizontal joint
(Not suitable for EQUITONE [material])

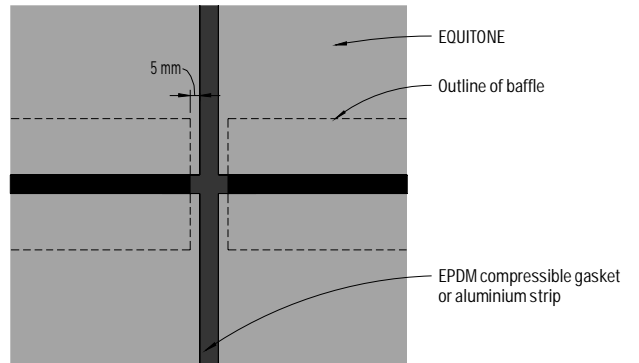


Figure 2: Baffled horizontal joint
junction with vertical joint - Elevation

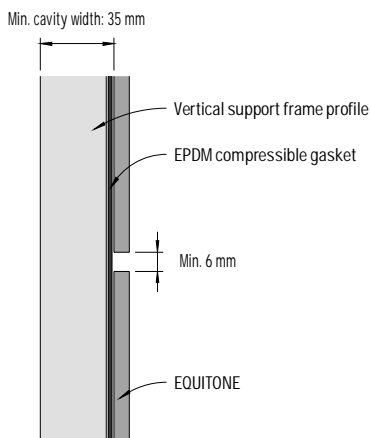


Figure 3: Open horizontal joint

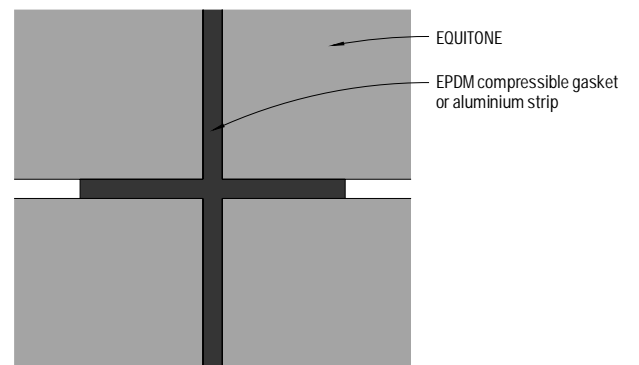


Figure 4: Open horizontal joint junction
with vertical joint - Elevation

Notes

- 1) Horizontal open joint detail (Figure 3 & 4) requires project engineer's evaluation and approval, and the selection of appropriate UV resistant weather resistive barrier (membrane).
- 2) In Figure 4, visible part of the support frame profiles and weather barrier may be coated black with suitable paint.
- 3) Depending on the project requirements max. 0.9mm (powder) coated aluminium strip may be used in lieu of EPDM strip on vertical joints for higher UV resistance.

Intermediate (narrow) EPDM compressible gasket may be applied as shown in dashed line, replacing the wide one, where the metal strip behind is of desired colour

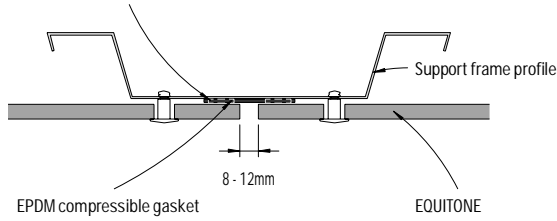


Figure 5: Vertical joint - Detail 1

Intermediate (narrow) EPDM compressible gasket may be applied as shown in dashed line, replacing the wide one, where the metal strip behind is of desired colour

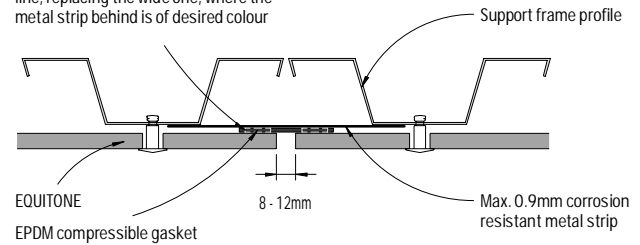


Figure 6: Vertical joint - Detail 2

Intermediate (narrow) EPDM compressible gasket may be applied as shown in dashed line, replacing the wide one, where the metal strip behind is of desired colour

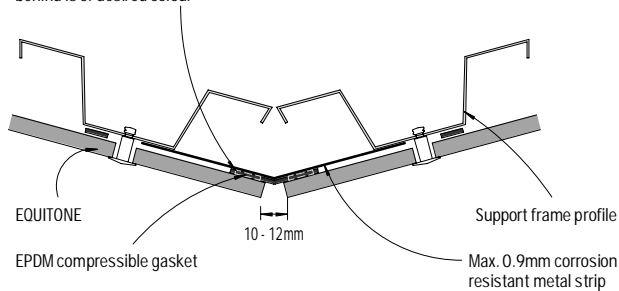


Figure 7: Vertical joint - Detail 3

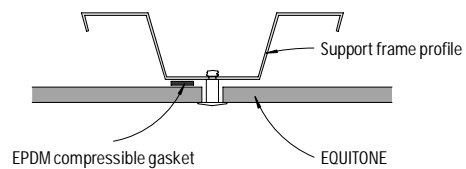


Figure 8: Intermediate panel fixings connection

Notes

1) Depending on the project requirements max. 0.9mm (powder) coated aluminium strip may be used in lieu of EPDM strip on vertical joints for higher UV resistance.

2) In Figure 6 & 7, the metal strip should be fixed ONLY to one of the support frame profiles (either left or right) where allowance for horizontal and/or vertical movement of the cladding frame is required.

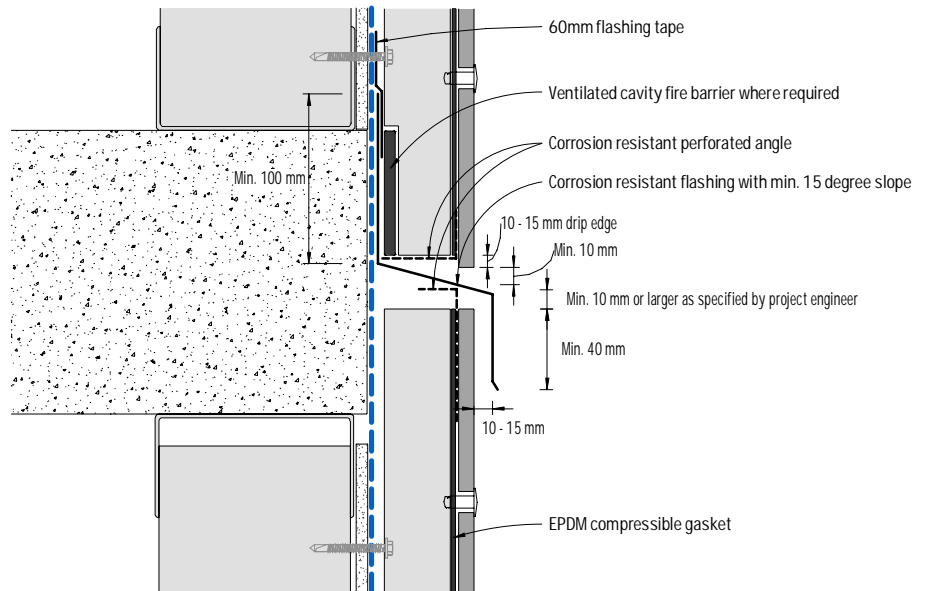


Figure 9: Horizontal control joint

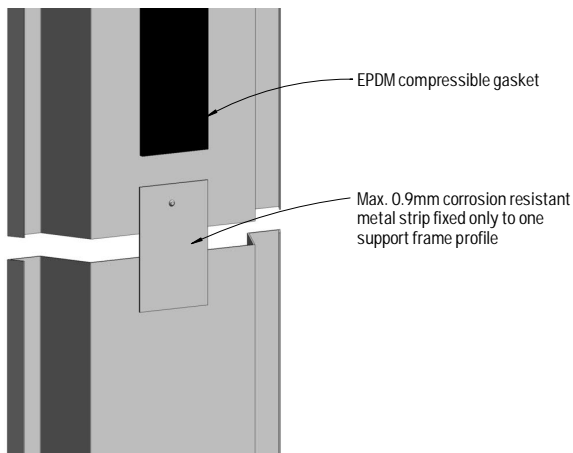


Figure 10: EPDM gasket support over control joint or the like

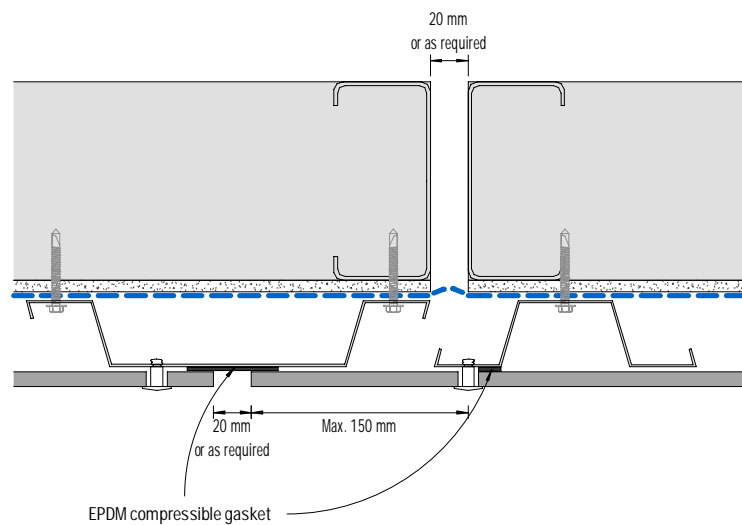


Figure 11: Vertical control joint

Notes

- 1) Support frame profiles and rigid air barrier must NOT be fixed crossing over a control joint.
- 2) Allowance for movement at the location of any control joint must be made in the cladding and its support frame design and installation. Panel must NOT be fixed bridging over any control joint.
- 3) Corrosion resistant perforated angle shall be of max. thickness of 0.9mm where located between panel and support frame, and be of min. 50% open area with aperture size of 3-5mm.

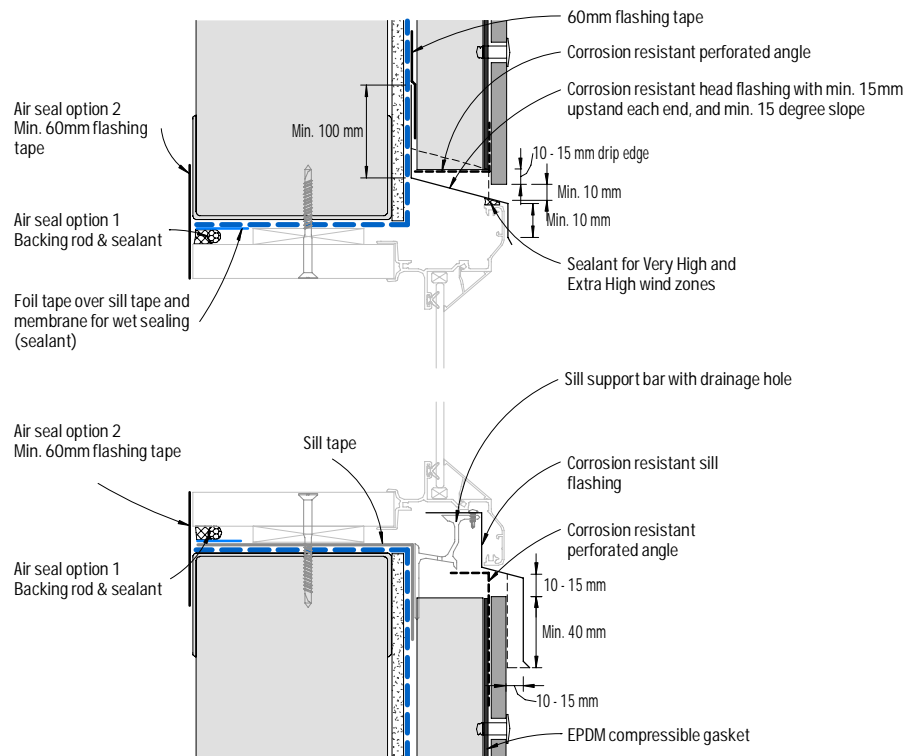


Figure 12: Flush window - Head and sill

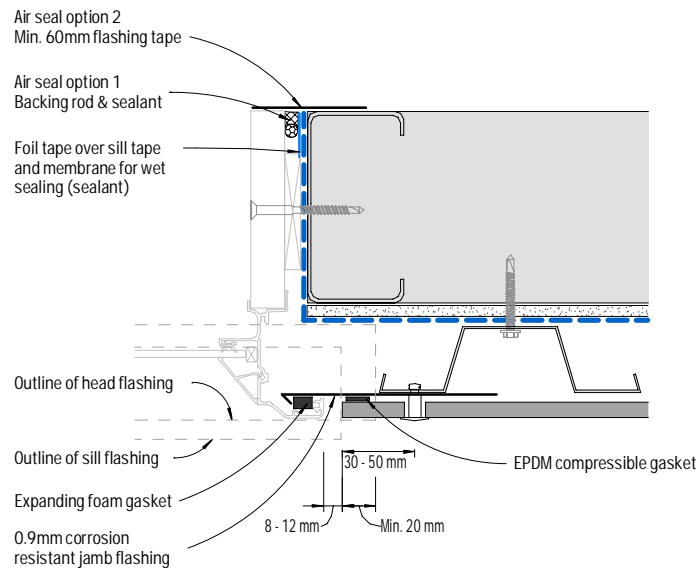


Figure 13: Flush window - Jamb

Notes

- 1) ONLY sealant compatible with the foil tape should be used. Should any sealant be intended to be used directly on the flashing and/or sill tape it must be confirmed with its manufacturer to ensure compatibility with these tapes in accordance with the relevant standards.
- 2) Corrosion resistant perforated angle shall be of max. thickness of 0.9mm where located between panel and support frame, and be of min. 50% open area with aperture size of 3-5mm.

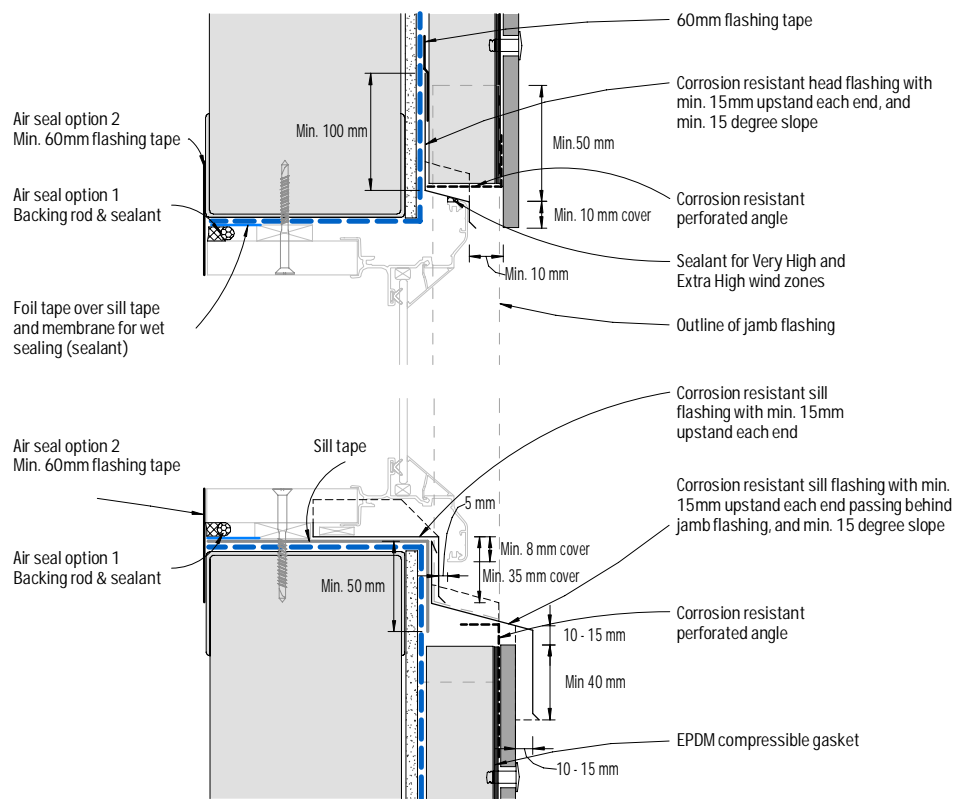


Figure 14: Recessed window - Head and sill

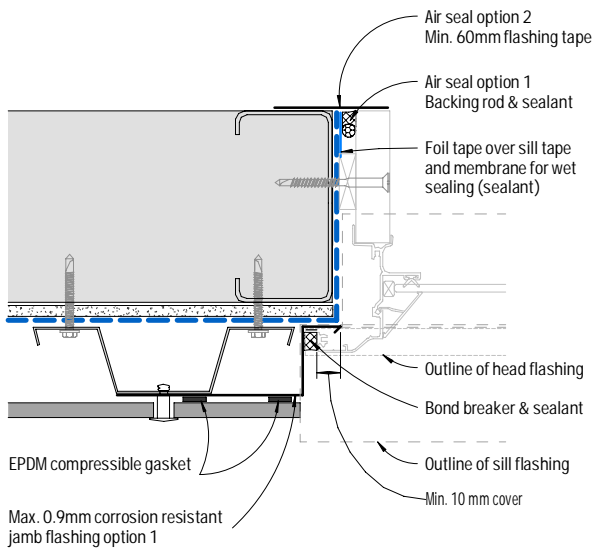


Figure 15: Recessed window jamb - Option 1

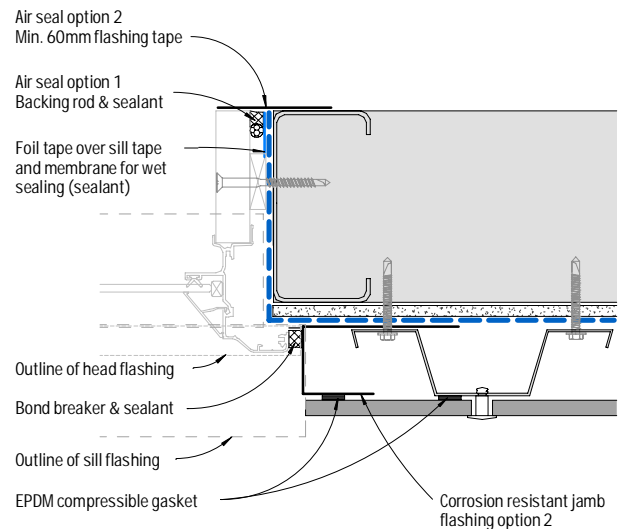


Figure 16: Recessed window jamb - Option 2

Notes

- 1) ONLY sealant compatible with the foil tape should be used. Should any sealant be intended to be used directly on the flashing and/or sill tape it must be confirmed with its manufacturer to ensure compatibility with these tapes in accordance with the relevant standards.
- 2) Corrosion resistant perforated angle shall be of max. thickness of 0.9mm where located between panel and support frame, and be of min. 50% open area with aperture size of 3-5mm.

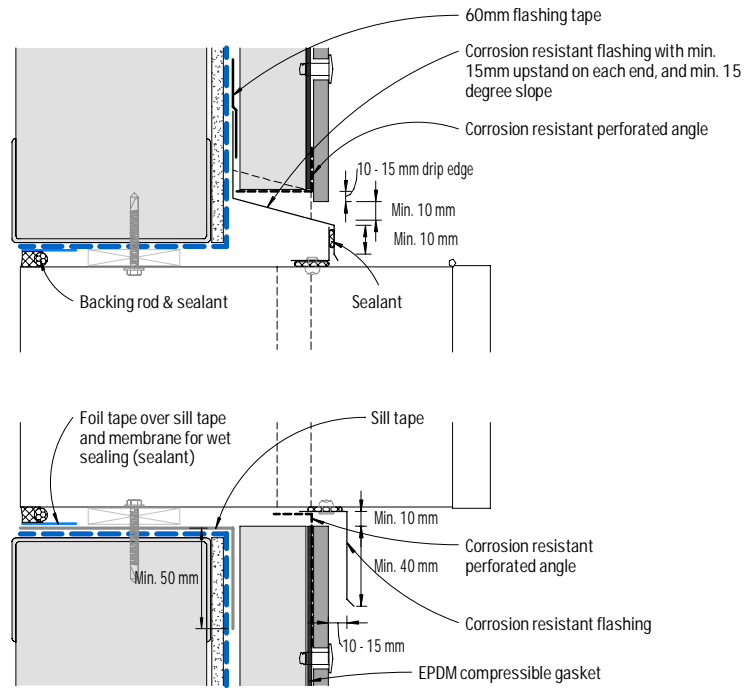


Figure 17: Meter box - Section

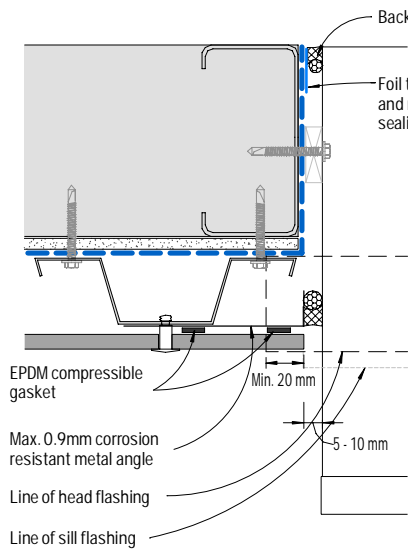


Figure 18: Meter box - Plan view - Detail 1

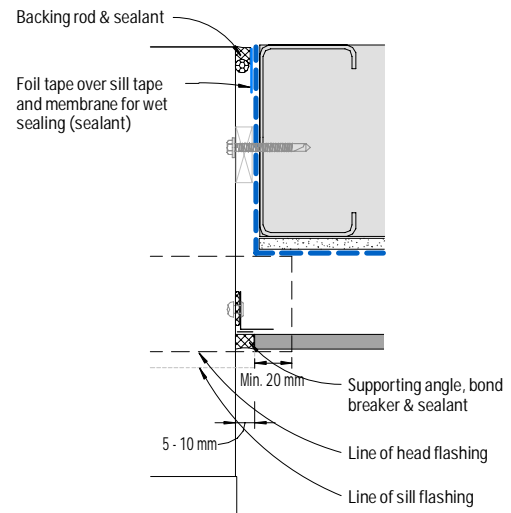


Figure 19: Meter box - Plan view - Detail 2

Notes

- 1) ONLY sealant compatible with the foil tape should be used. Should any sealant be intended to be used directly on the flashing and/or sill tape it must be confirmed with its manufacturer to ensure compatibility with these tapes in accordance with the relevant standards.
- 2) Corrosion resistant perforated angle shall be of max. thickness of 0.9mm where located between panel and support frame, and be of min. 50% open area with aperture size of 3-5mm.

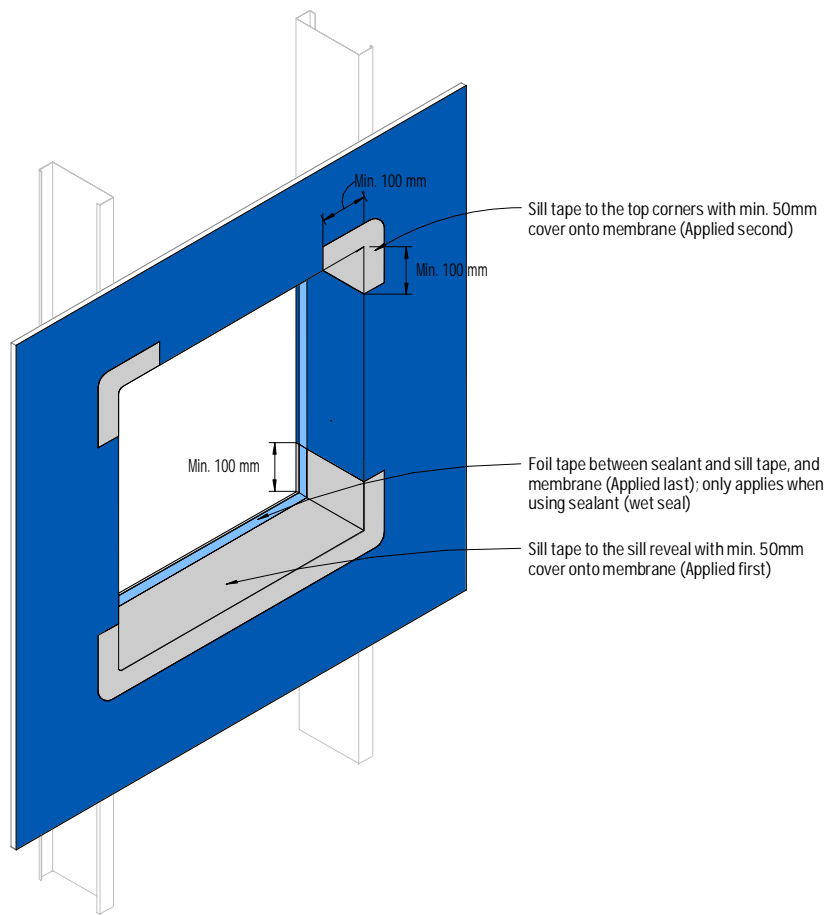


Figure 20: Isometric view of window/meter box opening - Tape application

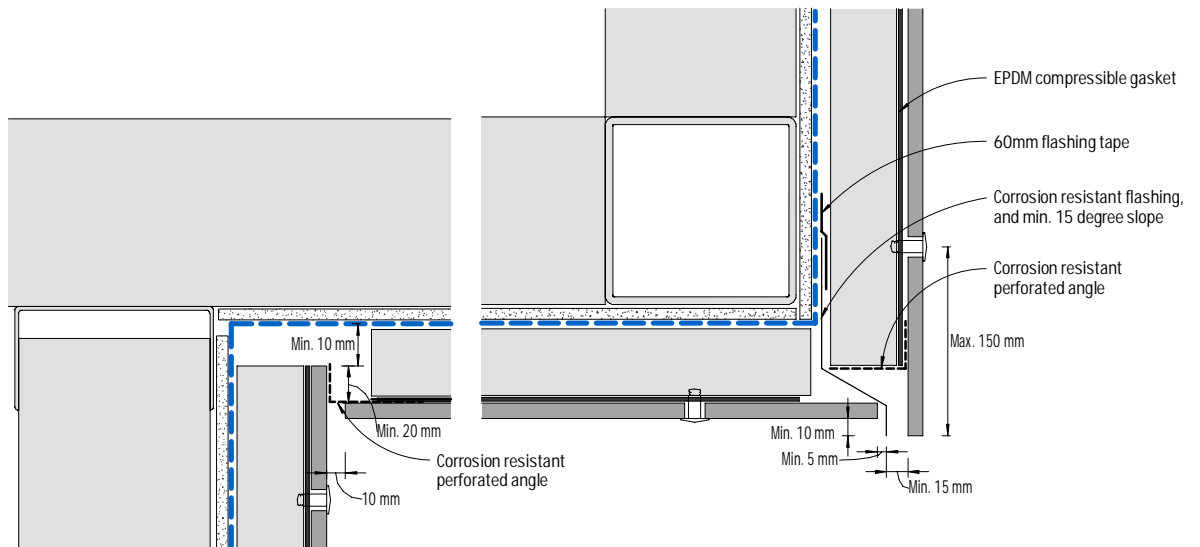


Figure 21: Soffit junction

Notes

- 1) ONLY sealant compatible with the foil tape should be used. Should any sealant be intended to be used directly on the flashing and/or sill tape it must be confirmed with its manufacturer to ensure compatibility with these tapes in accordance with the relevant standards.
- 2) Support frame profiles and rigid air barrier must NOT be fixed crossing over a control joint.
- 3) Corrosion resistant perforated angle shall be of max. thickness of 0.9mm where located between panel and support frame, and be of min. 50% open area with aperture size of 3-5mm.

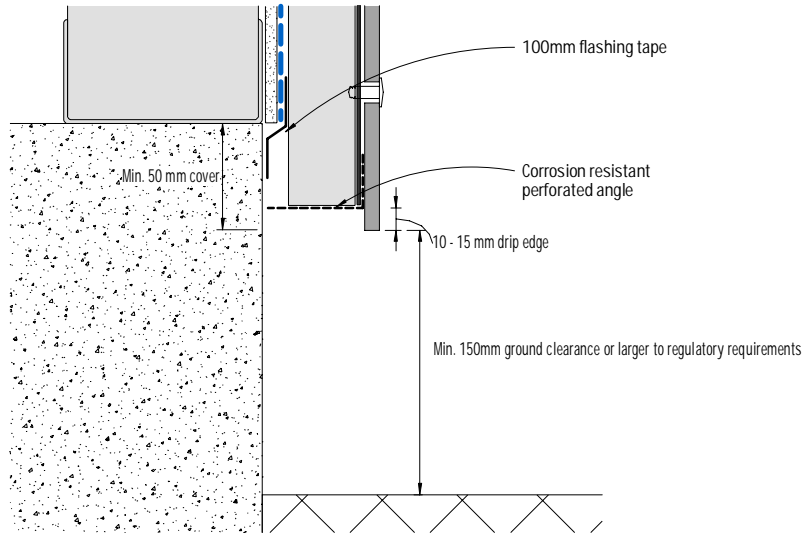


Figure 22: Base detail

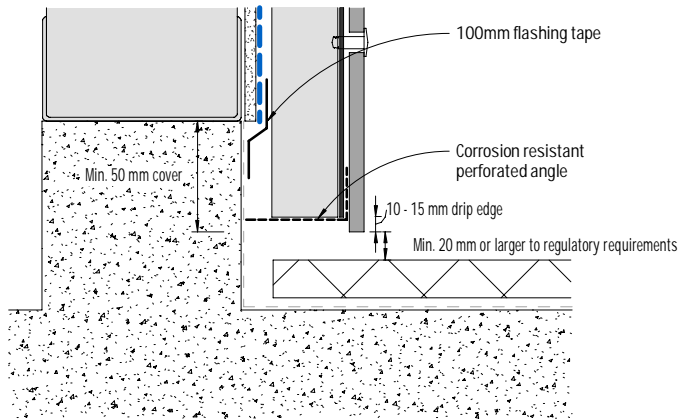


Figure 23: Base detail - Covered area

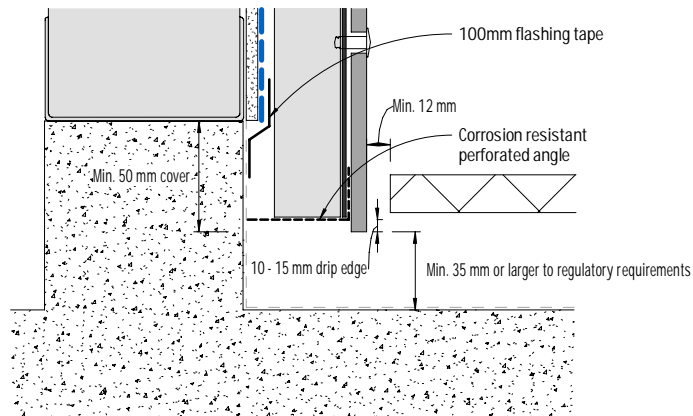


Figure 24: Base detail - Balcony

Notes

1) For **EQUITONE [materia]**, minimum ground clearance is **300mm**.

2) Corrosion resistant perforated angle shall be of max. thickness of 0.9mm where located between panel and support frame, and be of min. 50% open area with aperture size of 3-5mm.

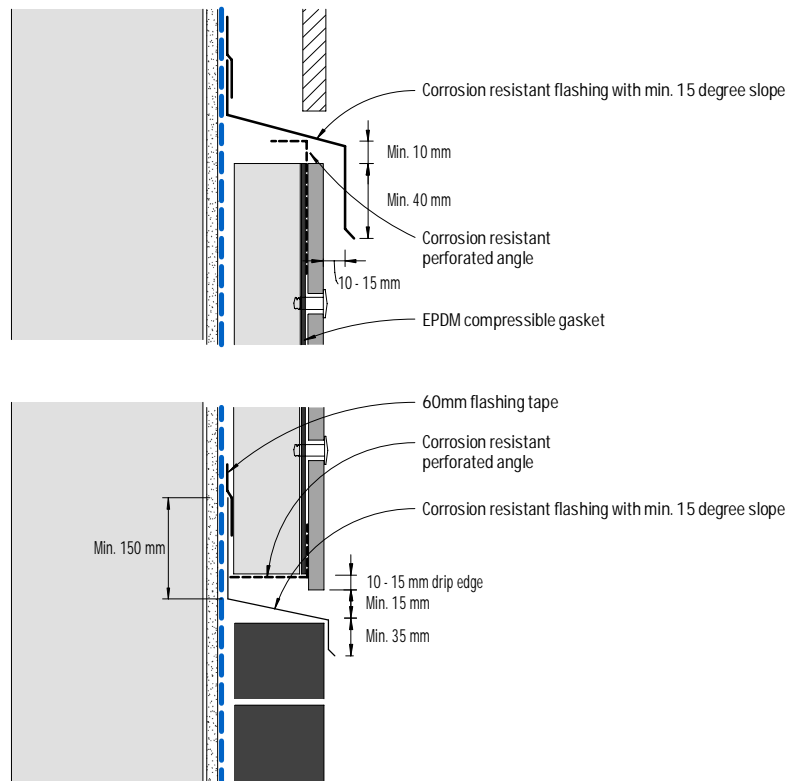


Figure 25: Junction with other materials - flush detail

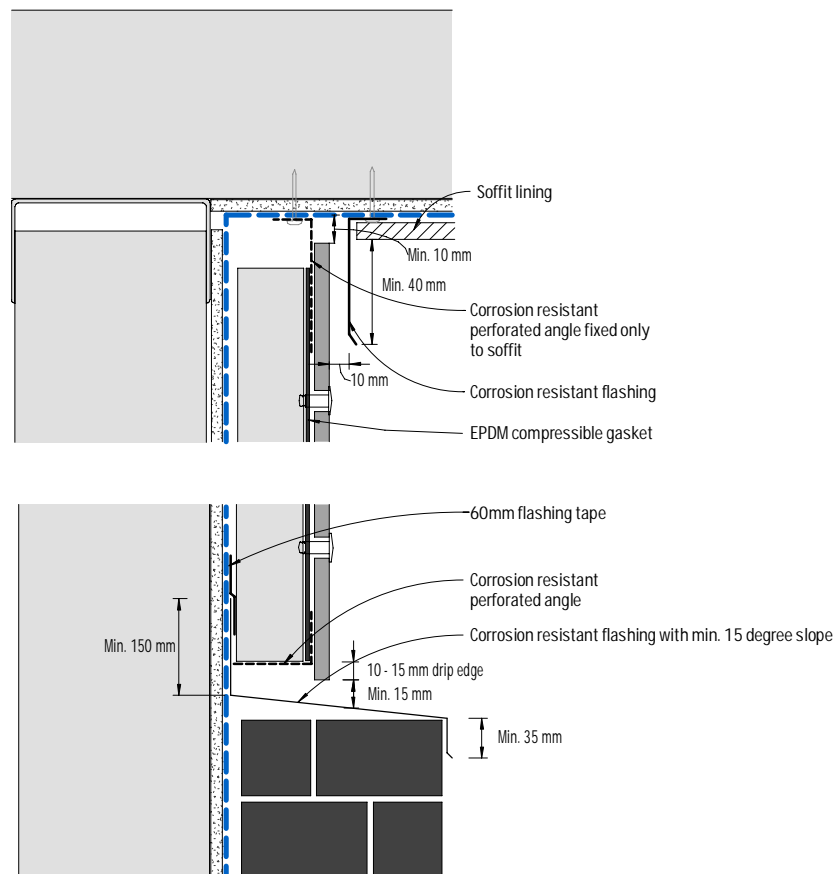


Figure 26: Junction with other materials, eaves or the like - recessed detail

Notes

- 1) Support frame profiles and rigid air barrier must NOT be fixed crossing over a control joint.
- 2) Corrosion resistant perforated angle shall be of max. thickness of 0.9mm where located between panel and support frame, and be of min. 50% open area with aperture size of 3-5mm.

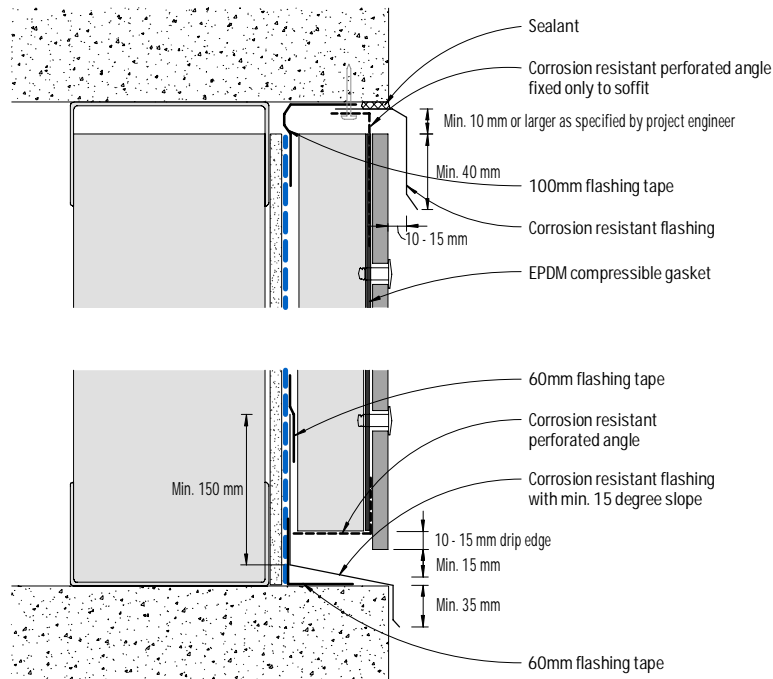


Figure 27: Exposed concrete slab or beam - Cladding flush

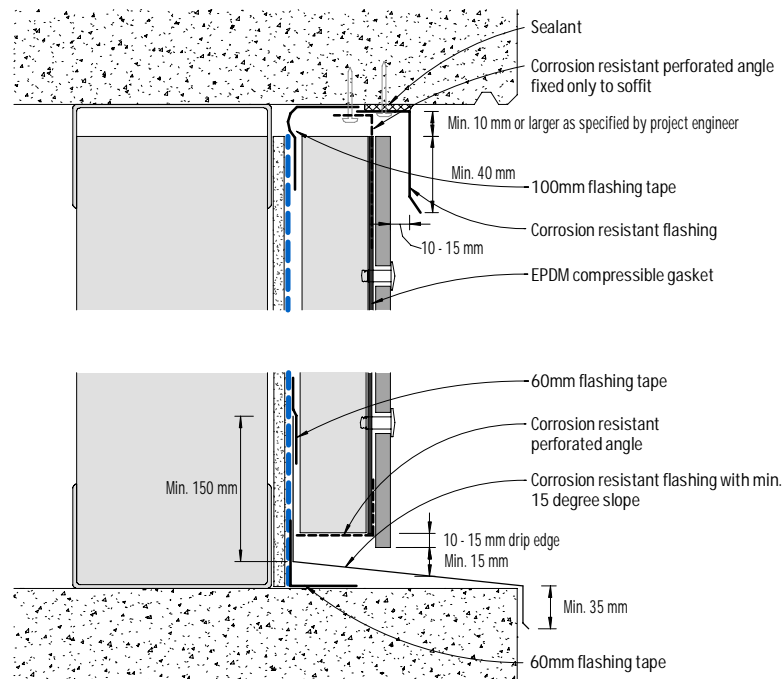


Figure 28: Exposed concrete slab or beam - Cladding recessed

Notes

- 1) Support frame profiles and rigid air barrier must NOT be fixed crossing over a control joint.
- 2) Corrosion resistant perforated angle shall be of max. thickness of 0.9mm where located between panel and support frame, and be of min. 50% open area with aperture size of 3-5mm.

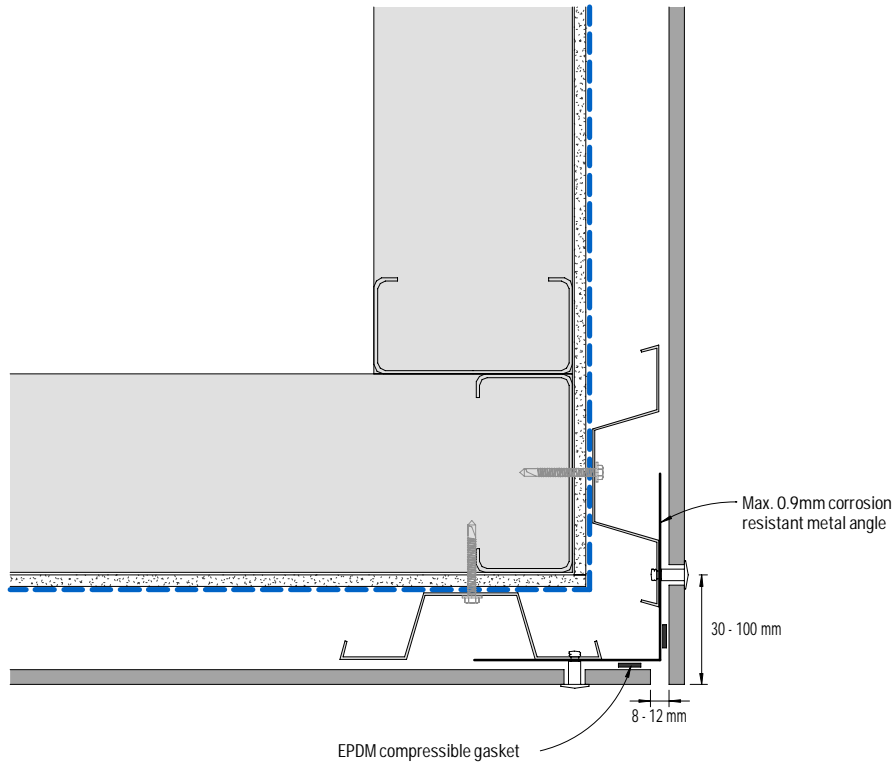


Figure 29: External corner - Detail 1

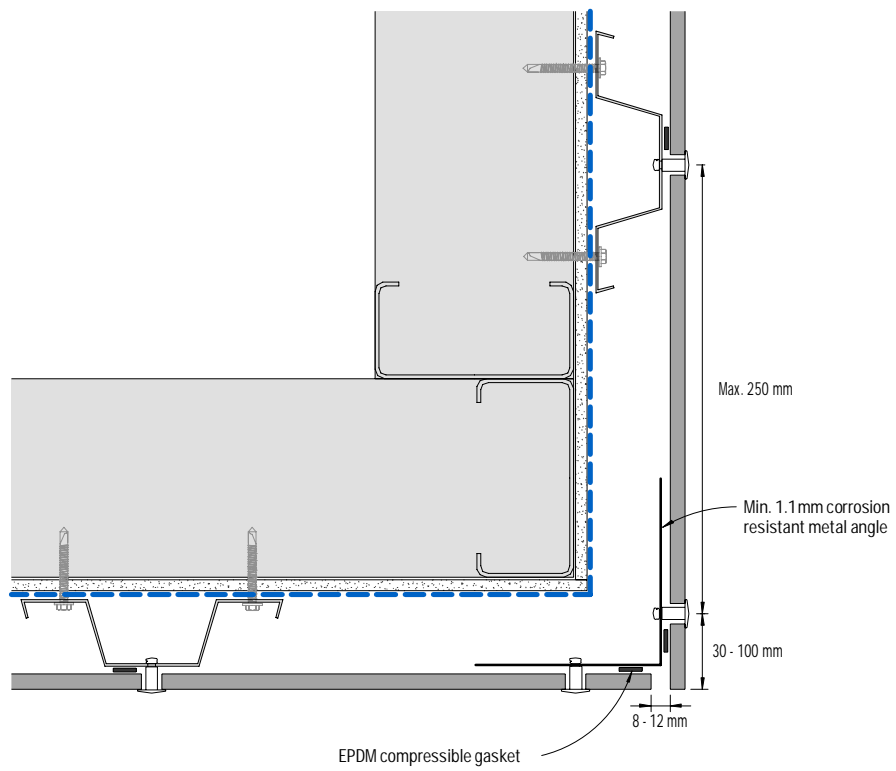


Figure 30: External corner - Detail 2

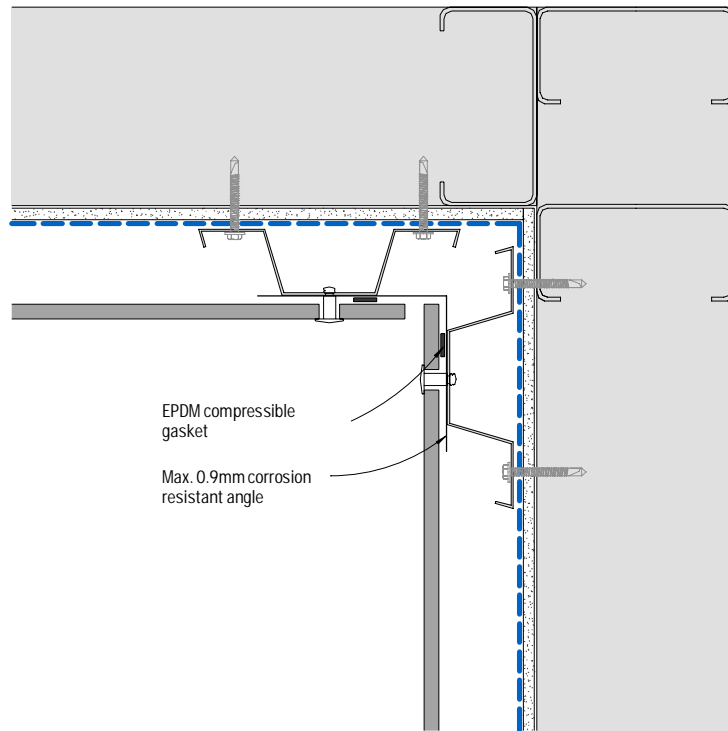


Figure 31: Internal corner

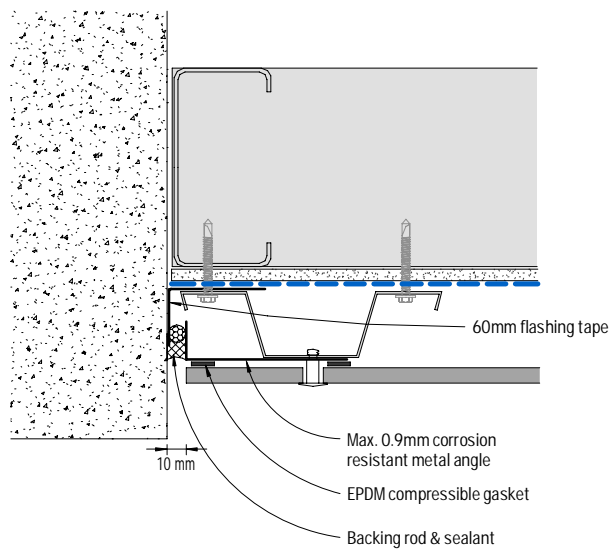


Figure 32: Abutment

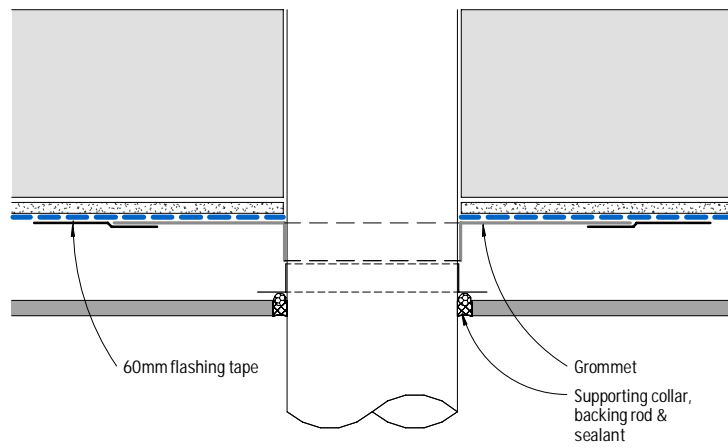


Figure 33: Pipe penetration - Plan view

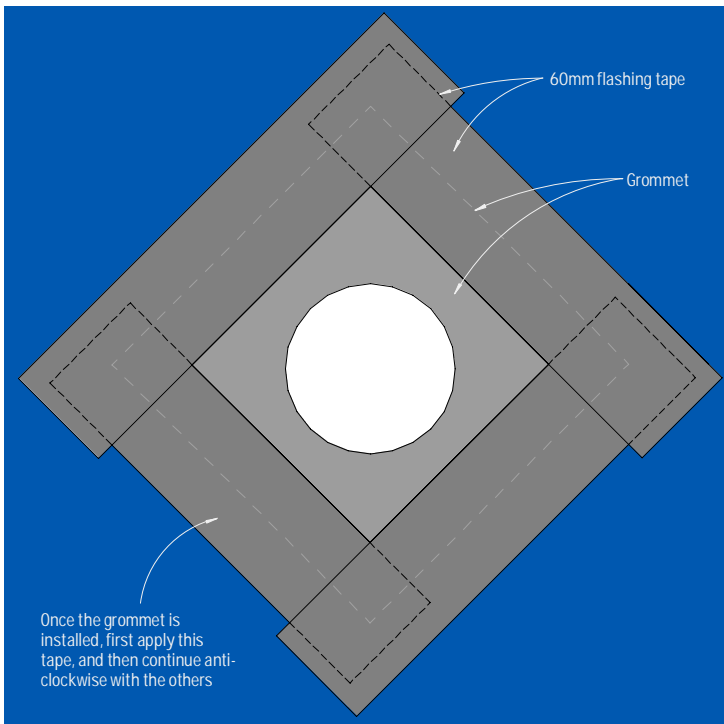


Figure 34: Pipe penetration - Elevation

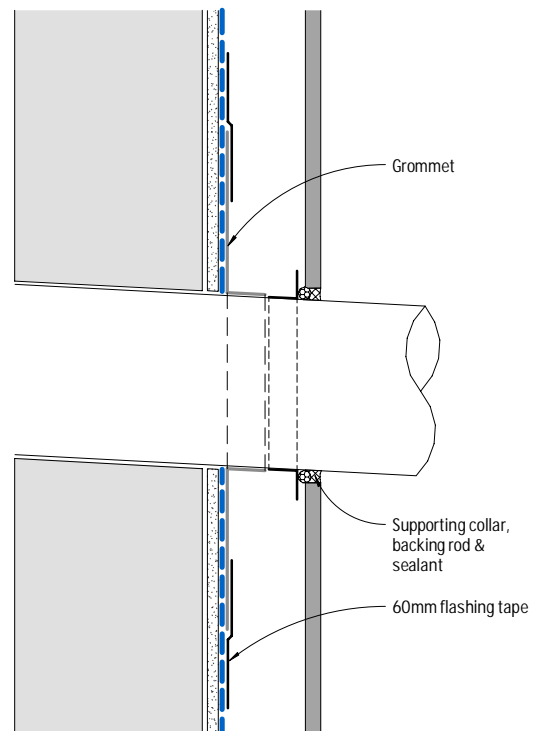


Figure 35: Pipe penetration - Section

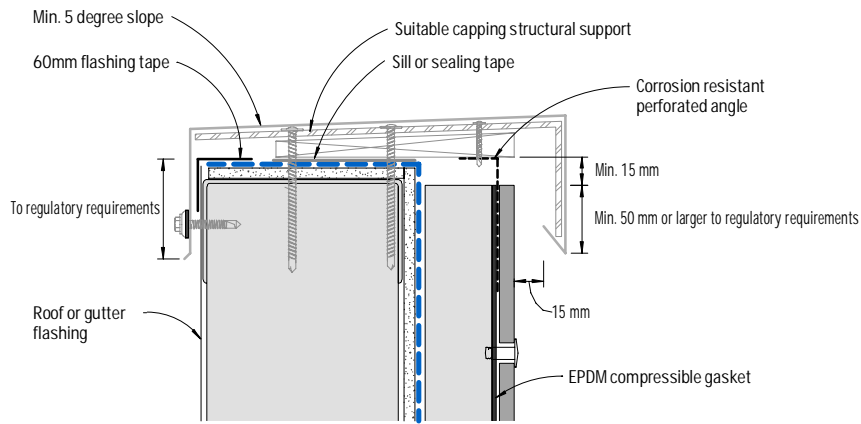


Figure 36: Capping - Detail 1

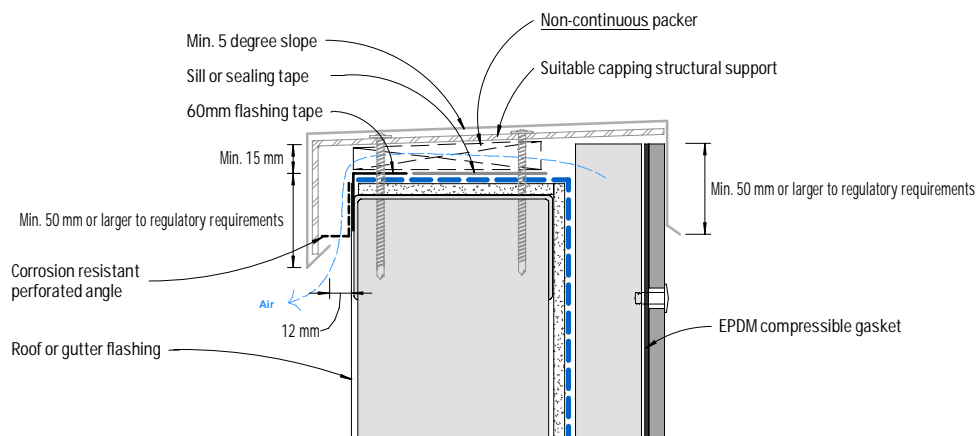


Figure 37: Capping - Detail 2
(Not suitable for EQUITONE [material])

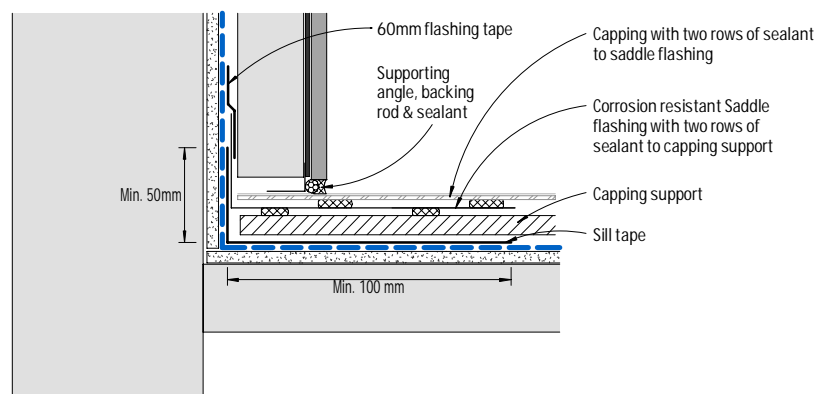


Figure 38: Parapet junction - Section

Notes

- 1) For EQUITONE [material], the following capping dimensions should be followed.
 - A minimum 20mm between panel face and rear of the capping
 - A minimum 50mm overlap with the panel for building up to 8m or larger to regulatory requirements
 - A minimum 80mm overlap with the panel for building up to 20m or larger to regulatory requirements
 - A minimum 100mm overlap with the panel for building over 20m or larger to regulatory requirements
- 2) Any face fixings of capping shall be through an over sized hole (by min 5mm) in the capping as well as the panel.
- 3) Corrosion resistant perforated angle shall be of max. thickness of 0.9mm where located between panel and support frame, and be of min. 50% open area with aperture size of 3-5mm.
- 4) Capping shall be designed and engineered accordingly to provide adequate allowance for ventilation as shown in Figures 36 & 37.

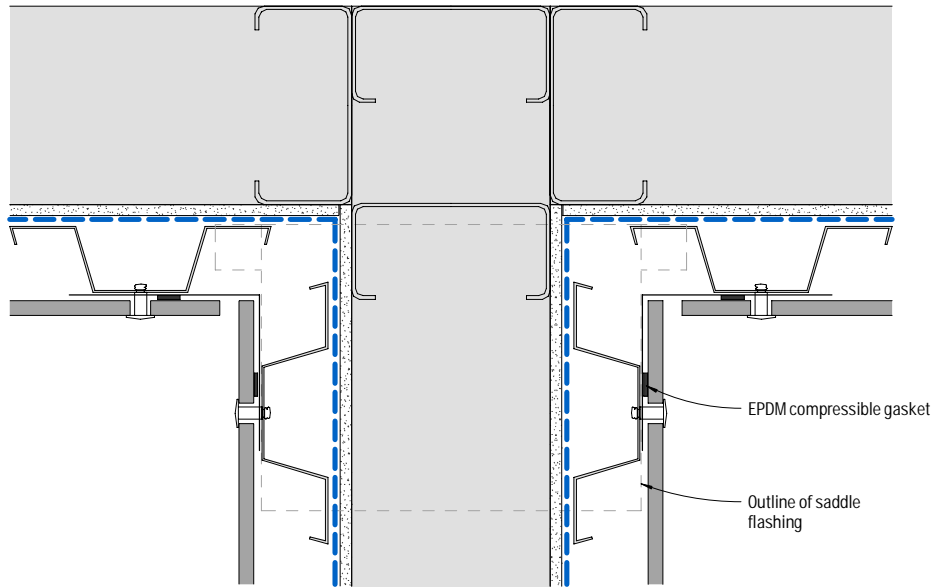


Figure 39: Parapet junction - Plan view

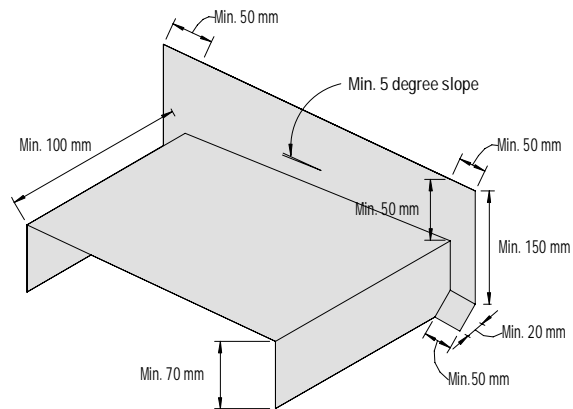


Figure 40: Corrosion resistant saddle flashing

EQUITONE system



rigid air barrier
double layer top hat construction

Support frame

EQUITONE may be fixed to double layer metal top hat construction where the structure is not designed to directly accommodate vertical top hat profiles. In this type of construction, first a layer of horizontal top hat profiles is installed at the required spacing, followed by vertical top hat profiles to which EQUITONE is fixed.

Metal top hats shall be of adequate corrosion resistance required for the project.

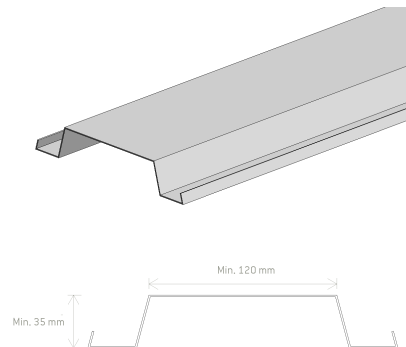
Maximum deflection of support framing must be limited to $\text{Span}/250$.

Structure and support frame shall be designed to relevant standards including, but not limited to, the following:

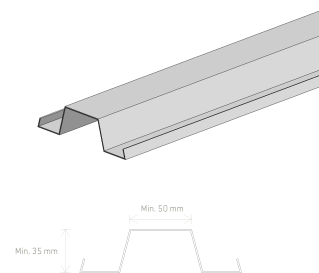
- AS/NZS 4600 – Cold-formed steel structures
- NZS 3404 – Steel structures
- NZS 3604 – Timber framed buildings

Top hat profiles

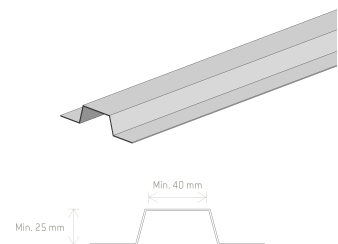
120 x 35 mm, minimum 1.15mm BMT
Installed vertically on vertical joints as specified on the construction details



50 x 35 mm, minimum 1.15mm BMT
Installed vertically as specified on the construction details



40 x 25 mm, minimum 1.15mm BMT
Installed horizontally to accommodate vertical top hat profiles



Notes

Support frame and its connection to substructure shall be designed by project engineer in accordance with the relevant standards. Refer to UNI Rivet span tables for maximum vertical and horizontal spacing of panel fixings.

Drawings index

Detail	Figure	Page
Baffled horizontal joint	1	83
Baffled horizontal joint junction with vertical joint - Elevation	2	83
Open horizontal joint	3	83
Open horizontal joint junction with vertical joint - Elevation	4	83
Vertical joint - Detail 1	5	84
Vertical joint - Detail 2	6	84
Vertical joint - Detail 3	7	84
Intermediate panel fixings connection	8	84
Horizontal control joint	9	85
EPDM gasket support over control joint or the like	10	85
Vertical control joint	11	85
Flush window - Head and sill	12	86
Flush window - Jamb	13	86
Recessed window - Head and sill	14	87
Recessed window jamb - Option 1	15	87
Recessed window jamb - Option 2	16	87
Meter box - Section	17	88
Meter box - Plan view - Detail 1	18	88
Meter box - Plan view - Detail 2	19	88
Isometric view of window/meter box opening - Tape application	20	89
Soffit junction	21	89
Base detail	22	90
Base detail - Covered area	23	90
Base detail - Balcony	24	90
Junction with other materials - flush detail	25	91
Junction with other materials, eaves or the like - recessed detail	26	91
Exposed concrete slab or beam - Cladding flush	27	92
Exposed concrete slab or beam - Cladding recessed	28	92
External corner - Detail 1	29	93
External corner - Detail 2	30	93
Internal corner	31	94
Abutment	32	94
Pipe penetration - Plan view	33	95
Pipe penetration - Elevation	34	95
Pipe penetration - Section	35	95
Capping - Detail 1	36	96
Capping - Detail 2	37	96
Parapet junction - Section	38	96
Parapet junction - Plan view	39	97
Corrosion resistant saddle flashing	40	97

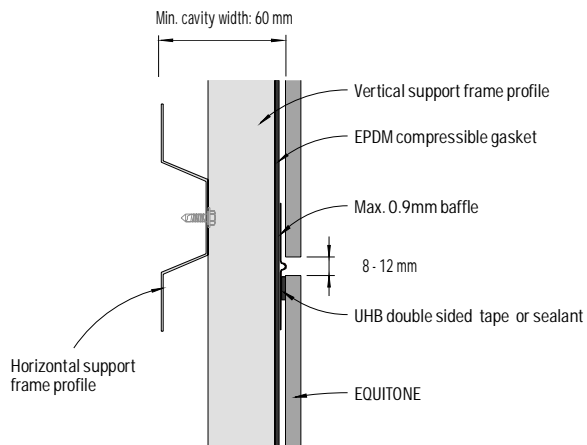


Figure 1: Baffled horizontal joint
(Not suitable for EQUITONE [material])

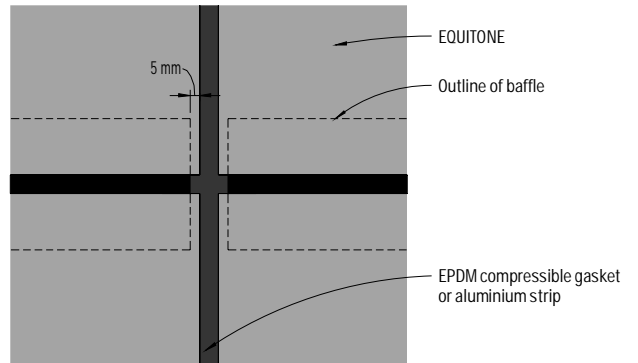


Figure 2: Baffled horizontal joint
junction with vertical joint - Elevation

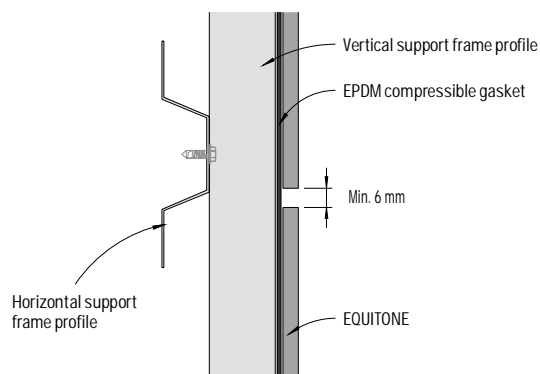


Figure 3: Open horizontal joint

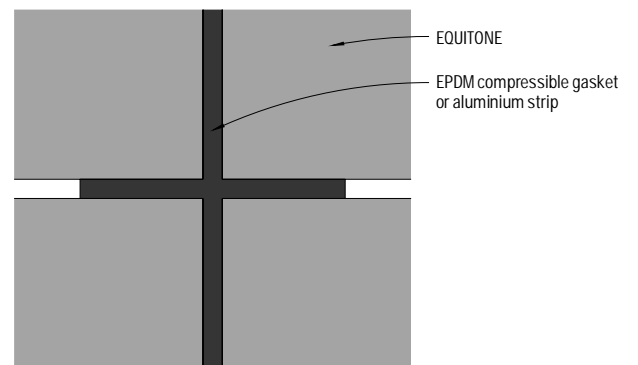


Figure 4: Open horizontal joint junction
with vertical joint - Elevation

Notes

- 1) Horizontal open joint detail (Figure 3 & 4) requires project engineer's evaluation and approval, and the selection of appropriate UV resistant weather resistive barrier (membrane).
- 2) In Figure 4, visible part of the support frame profiles and weather barrier may be coated black with suitable paint.
- 3) Depending on the project requirements max. 0.9mm (powder) coated aluminium strip may be used in lieu of EPDM strip on vertical joints for higher UV resistance.
- 4) The length of support frame profiles must NOT exceed 3,150mm.

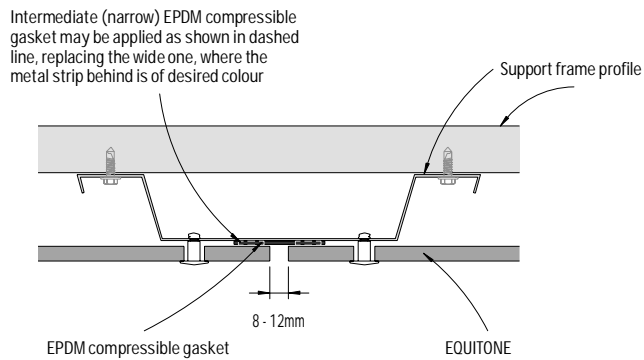


Figure 5: Vertical joint - Detail 1

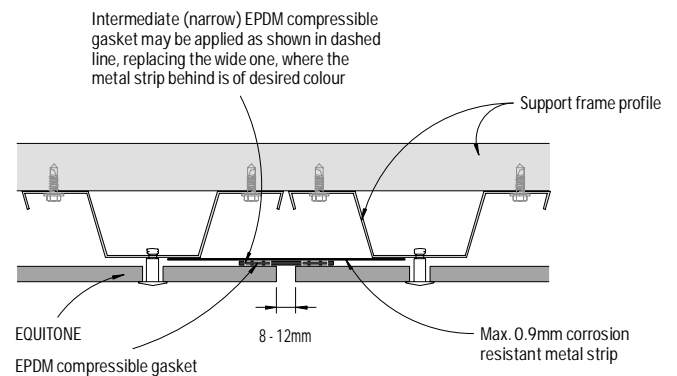


Figure 6: Vertical joint - Detail 2

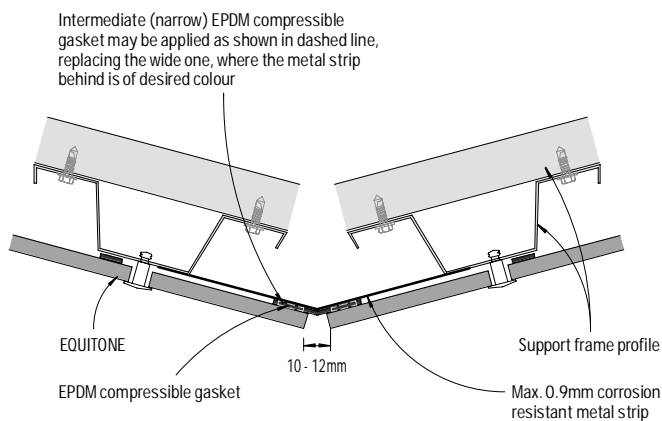


Figure 7: Vertical joint - Detail 3

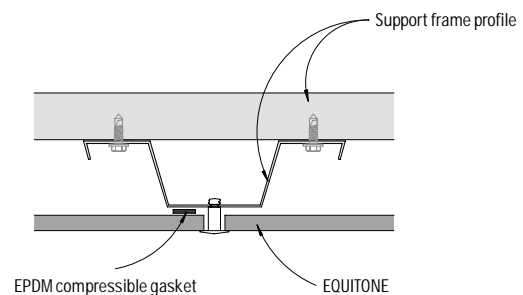


Figure 8: Intermediate panel fixings connection

Notes

1) Depending on the project requirements max. 0.9mm (powder) coated aluminium strip may be used in lieu of EPDM strip on vertical joints for higher UV resistance.

2) In Figure 6 & 7, the metal strip should be fixed ONLY to one of the battens (either left or right) where allowance for horizontal and/or vertical movement of the cladding frame is required.

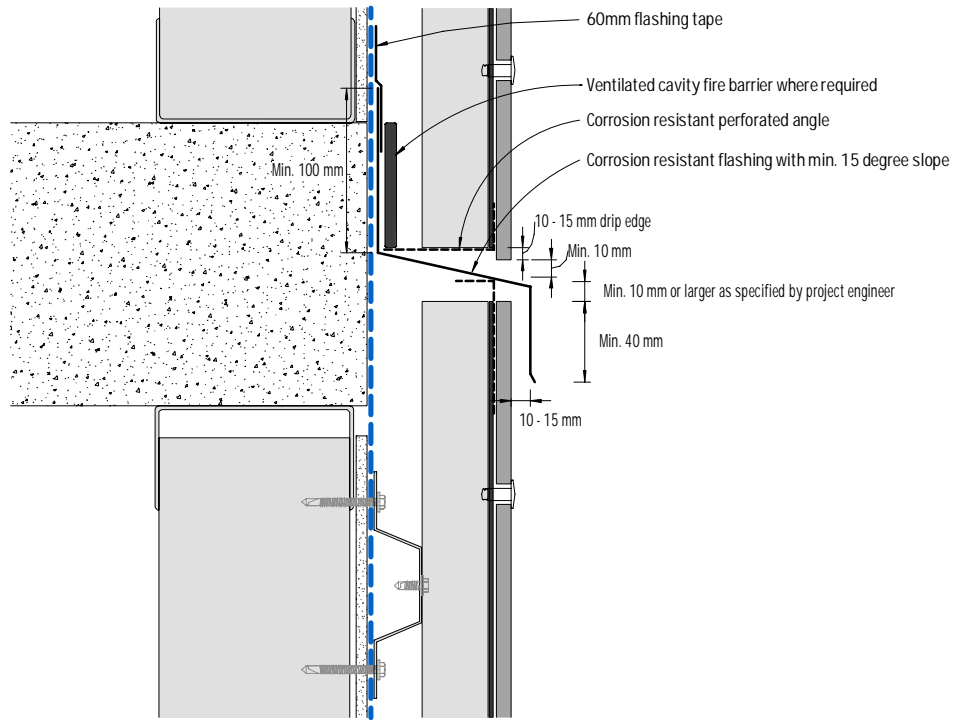


Figure 9: Horizontal control joint

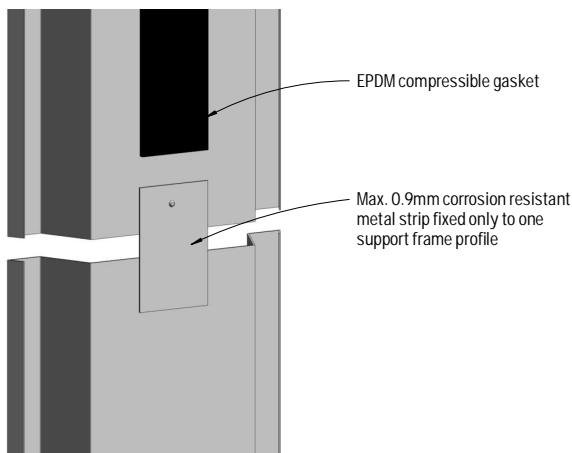


Figure 10: EPDM gasket support over control joint or the like

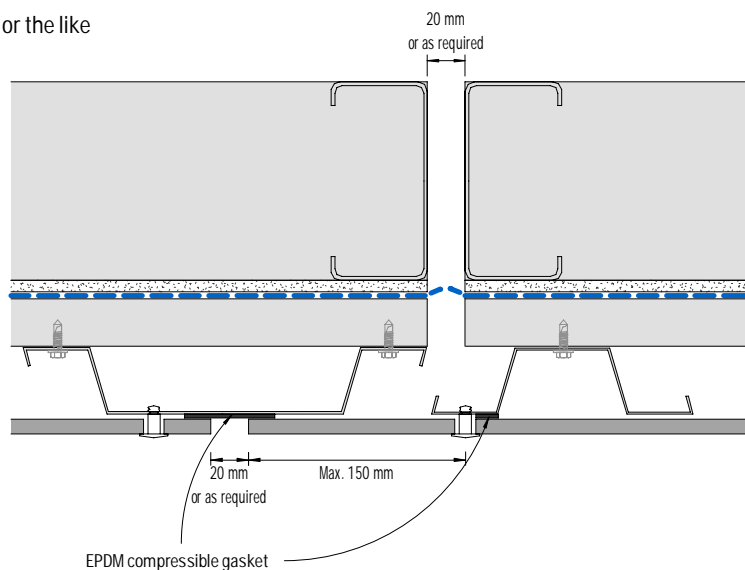


Figure 11: Vertical control joint

Notes

- 1) Support frame profiles and rigid air barrier must NOT be fixed crossing over a control joint.
- 2) Allowance for movement at the location of any control joint must be made in the cladding and its support frame design and installation. Panel must NOT be fixed bridging over any control joint.
- 3) Corrosion resistant perforated angle shall be of max. thickness of 0.9mm where located between panel and support frame, and be of min. 50% open area with aperture size of 3-5mm.

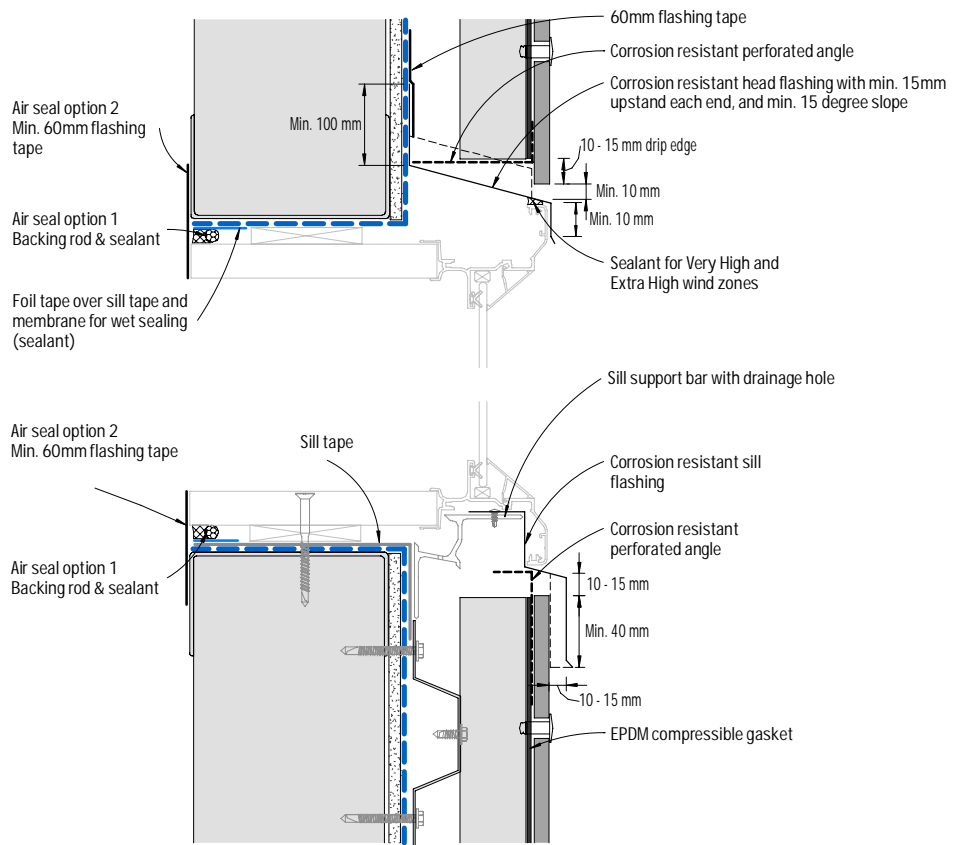


Figure 12: Flush window - Head and sill

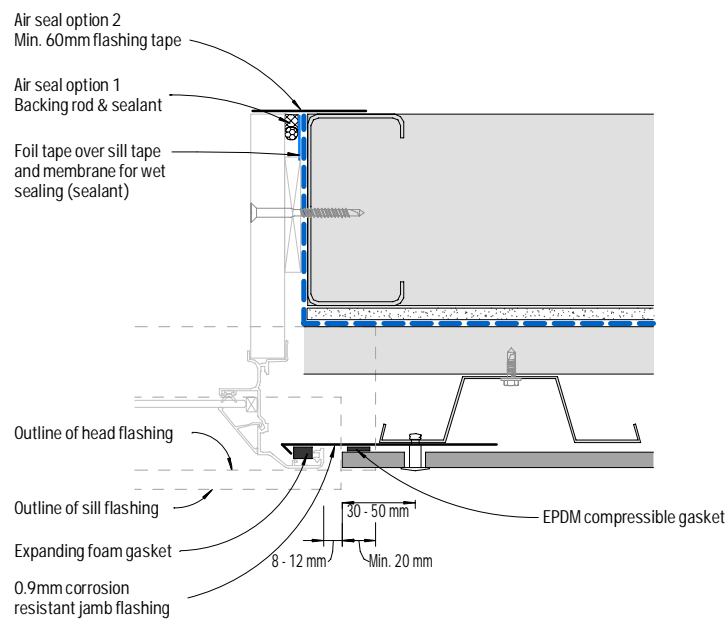


Figure 13: Flush window - Jamb

Notes

- 1) ONLY sealant compatible with the foil tape should be used. Should any sealant be intended to be used directly on the flashing and/or sill tape it must be confirmed with its manufacturer to ensure compatibility with these tapes in accordance with the relevant standards.
- 2) Corrosion resistant perforated angle shall be of max. thickness of 0.9mm where located between panel and support frame, and be of min. 50% open area with aperture size of 3-5mm.

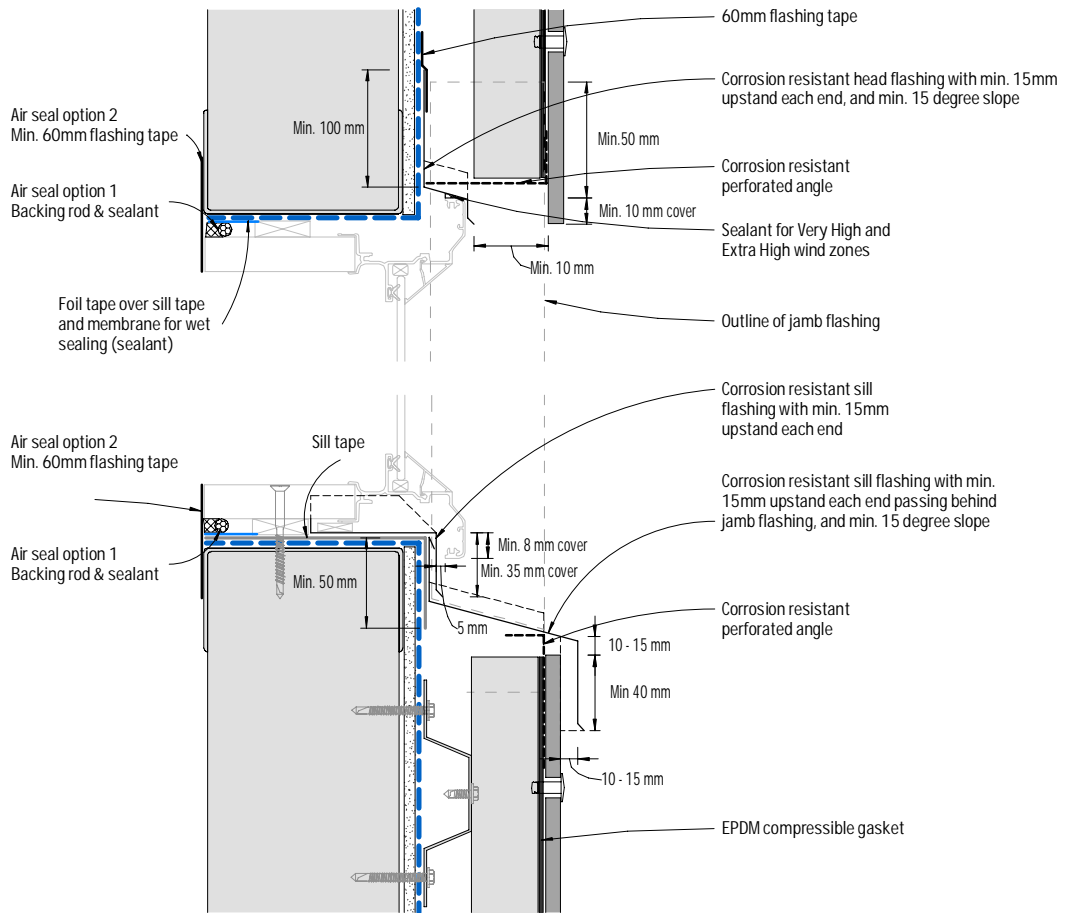


Figure 14: Recessed window - Head and sill

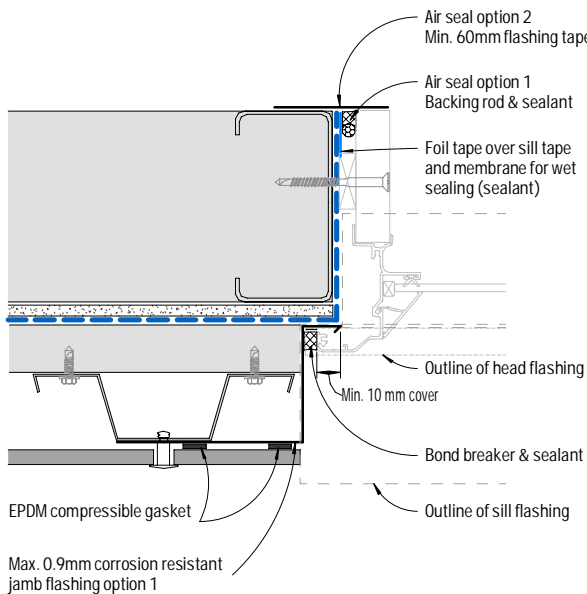


Figure 15: Recessed window jamb - Option 1

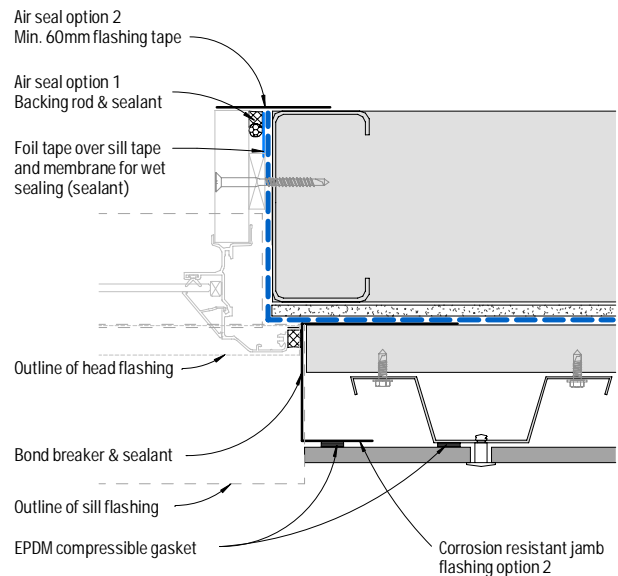


Figure 16: Recessed window jamb - Option 2

Notes

- 1) ONLY sealant compatible with the foil tape should be used. Should any sealant be intended to be used directly on the flashing and/or sill tape it must be confirmed with its manufacturer to ensure compatibility with these tapes in accordance with the relevant standards.
- 2) Corrosion resistant perforated angle shall be of max. thickness of 0.9mm where located between panel and support frame, and be of min. 50% open area with aperture size of 3-5mm.

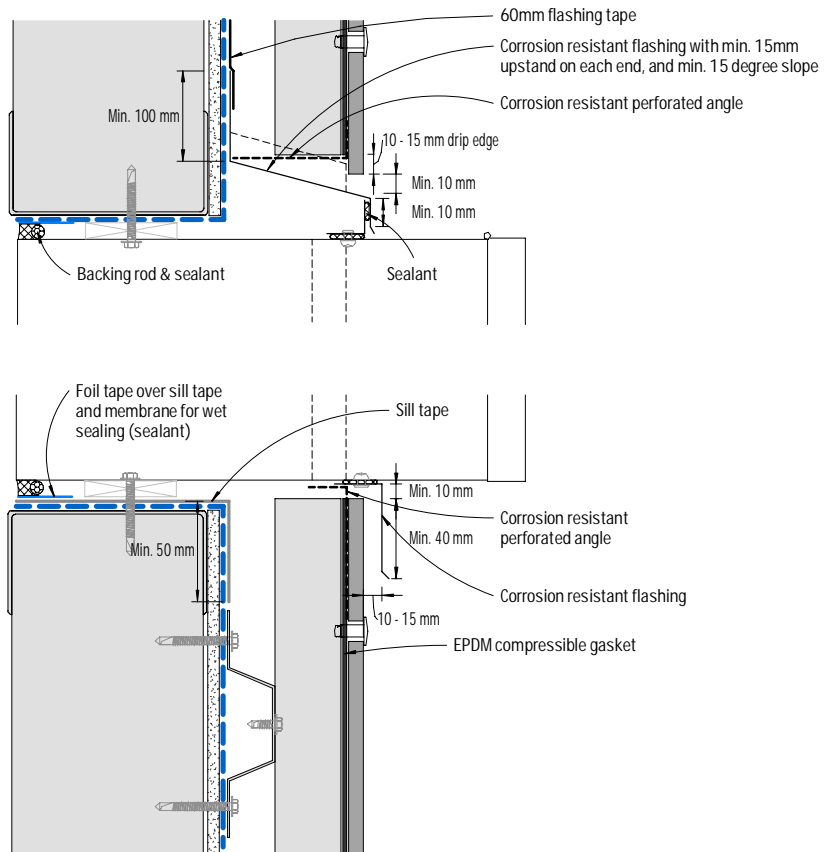


Figure 17: Meter box - Section

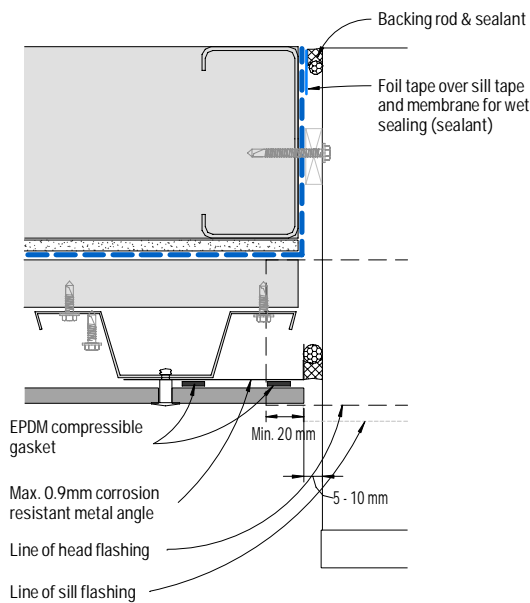


Figure 18: Meter box - Plan view - Detail 1

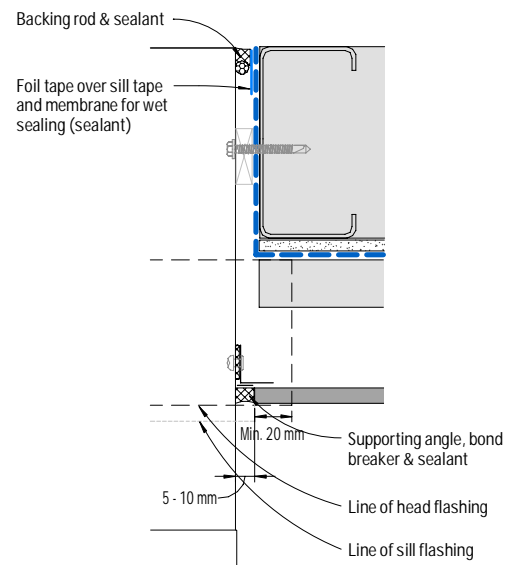


Figure 19: Meter box - Plan view - Detail 2

Notes

- 1) ONLY sealant compatible with the foil tape should be used. Should any sealant be intended to be used directly on the flashing and/or sill tape it must be confirmed with its manufacturer to ensure compatibility with these tapes in accordance with the relevant standards.
- 2) Corrosion resistant perforated angle shall be of max. thickness of 0.9mm where located between panel and support frame, and be of min. 50% open area with aperture size of 3-5mm.

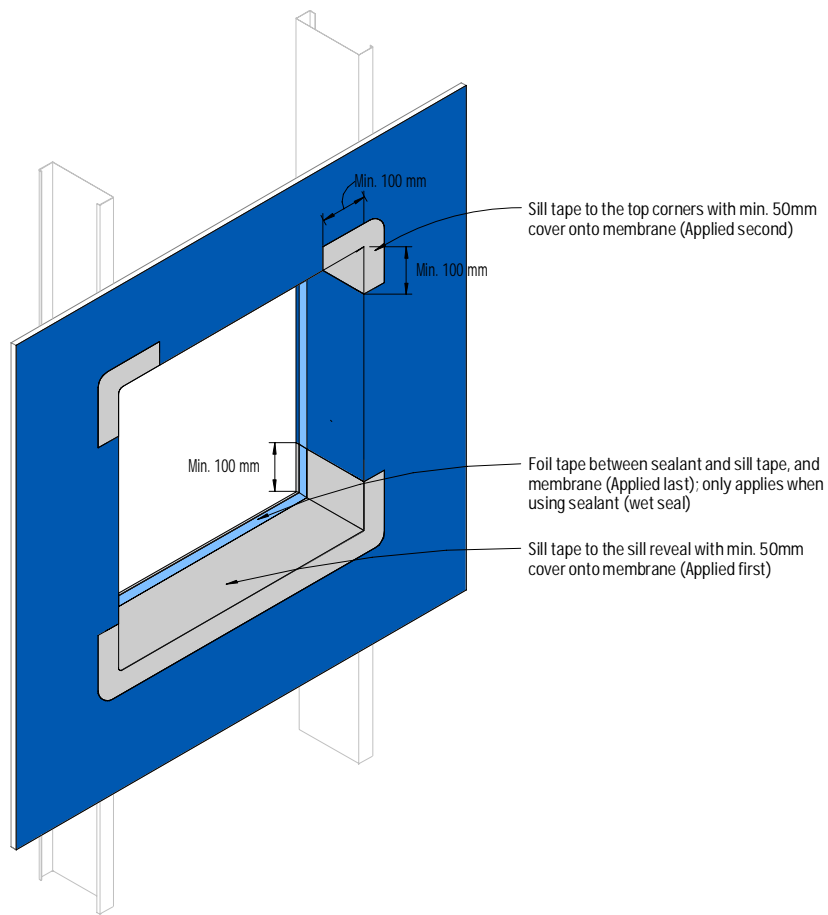


Figure 20: Isometric view of window/meter box opening - Tape application

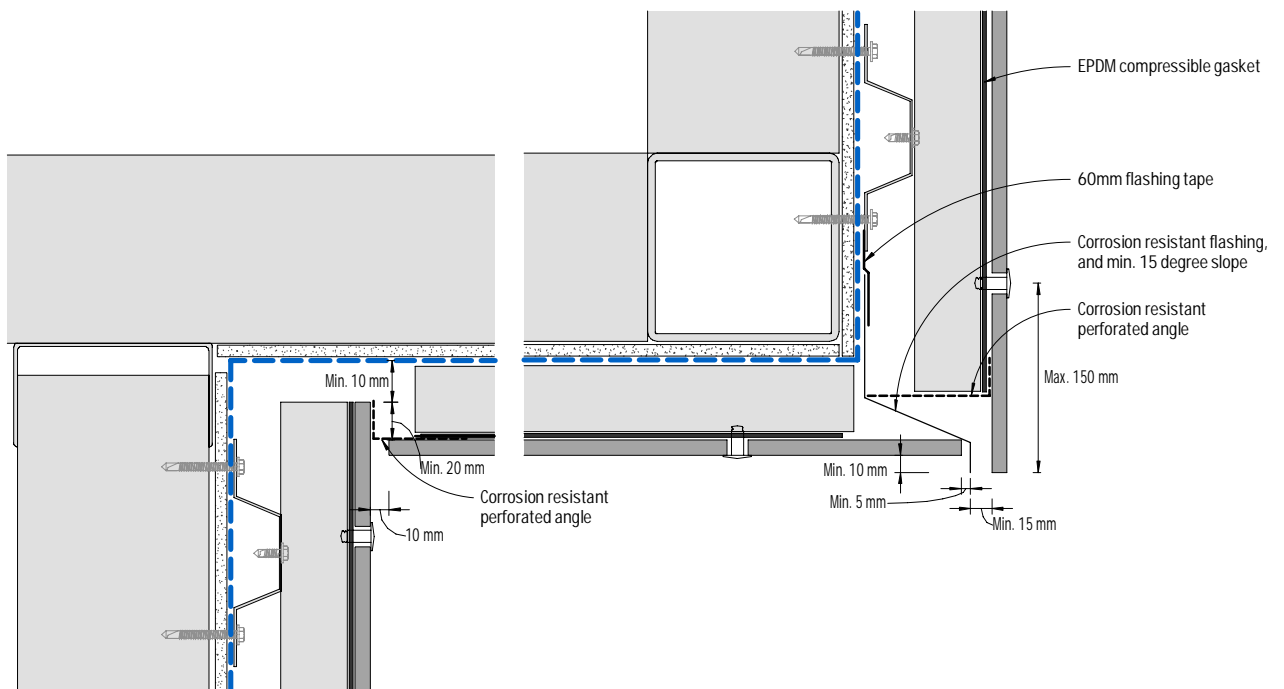


Figure 21: Soffit junction

Notes

- 1) ONLY sealant compatible with the foil tape should be used. Should any sealant be intended to be used directly on the flashing and/or sill tape it must be confirmed with its manufacturer to ensure compatibility with these tapes in accordance with the relevant standards.
- 2) Support frame profiles and rigid air barrier must NOT be fixed crossing over a control joint.
- 3) Corrosion resistant perforated angle shall be of max. thickness of 0.9mm where located between panel and support frame, and be of min. 50% open area with aperture size of 3-5mm.

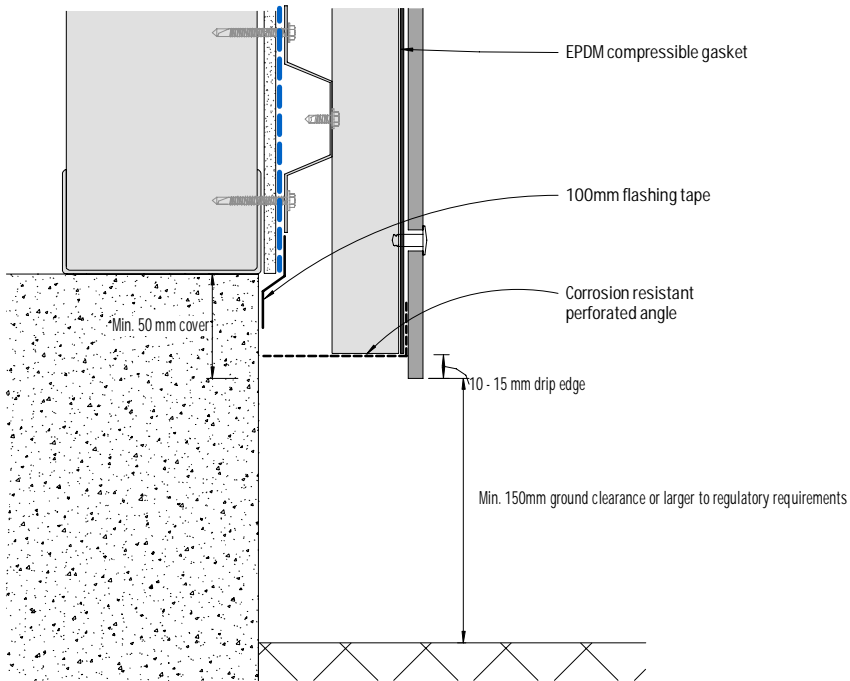


Figure 22: Base detail

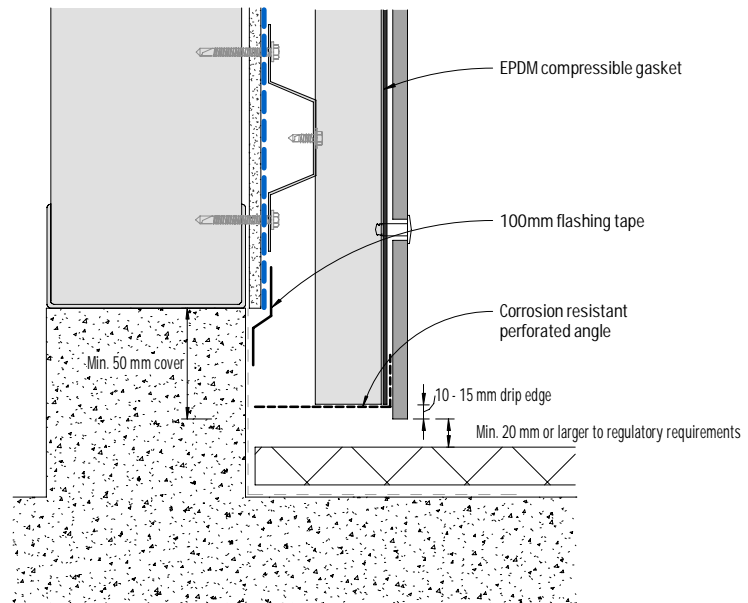


Figure 23: Base detail - Covered area

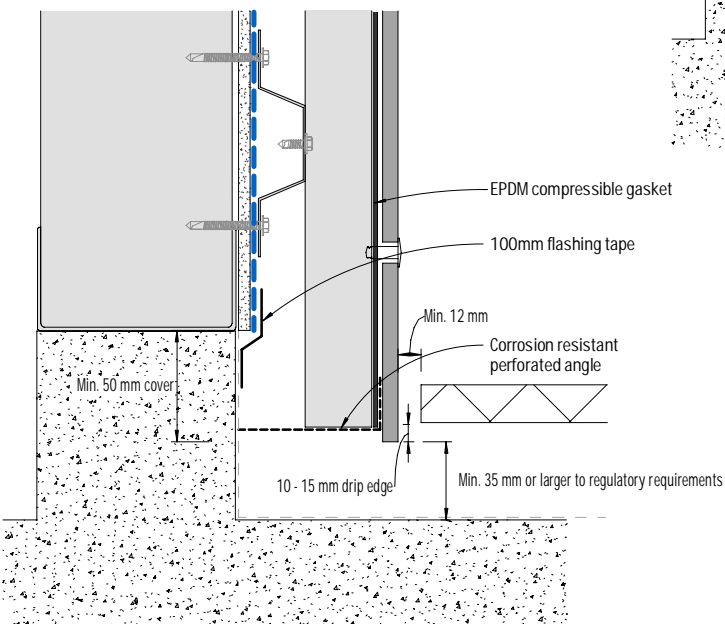


Figure 24: Base detail - Balcony

Notes

- 1) For **EQUITONE [materia]**, minimum ground clearance is **300mm**.
- 2) Corrosion resistant perforated angle shall be of max. thickness of 0.9mm where located between panel and support frame, and be of min. 50% open area with aperture size of 3-5mm.

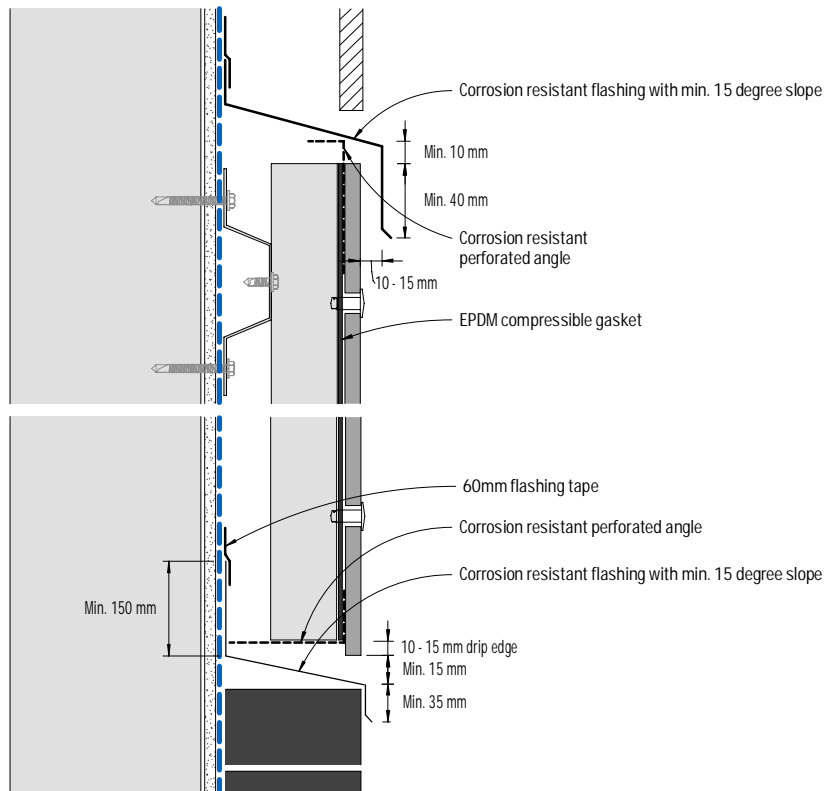


Figure 25: Junction with other materials - flush detail

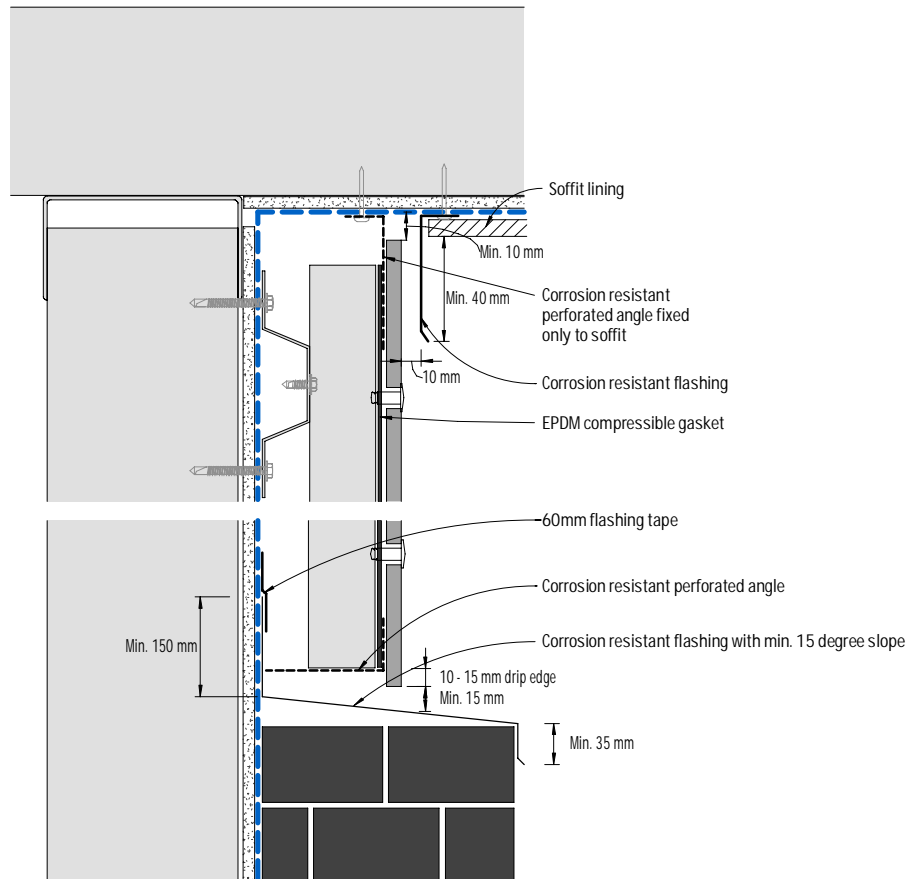


Figure 26: Junction with other materials, eaves or the like - recessed detail

Notes

- 1) Support frame profiles and rigid air barrier must NOT be fixed crossing over a control joint.
- 2) Corrosion resistant perforated angle shall be of max. thickness of 0.9mm where located between panel and support frame, and be of min. 50% open area with aperture size of 3-5mm.

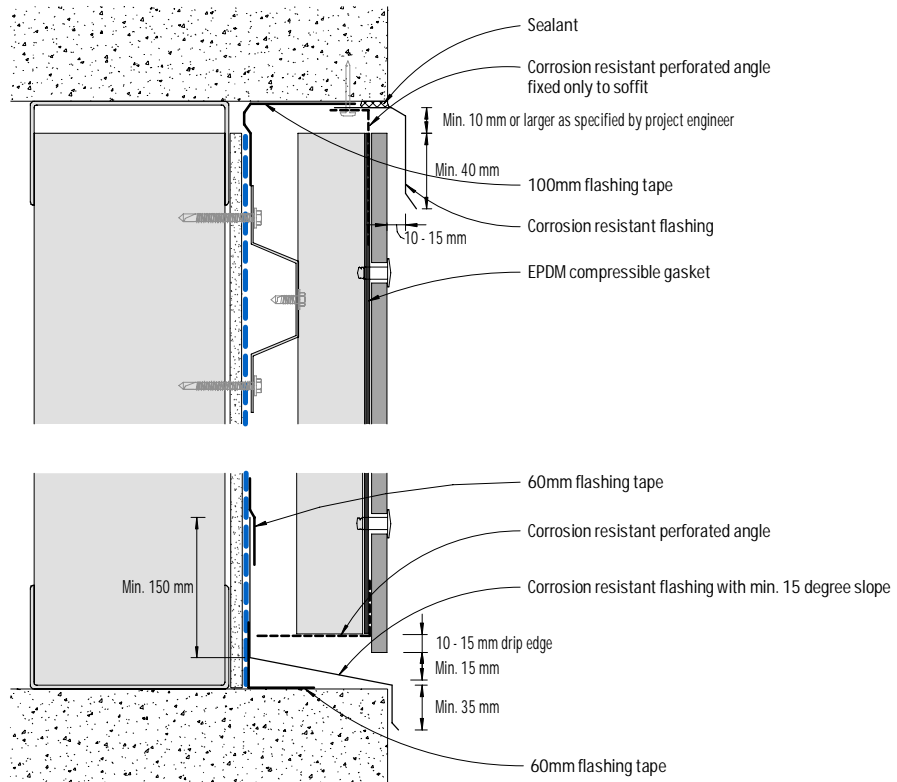


Figure 27: Exposed concrete slab or beam - Cladding flush

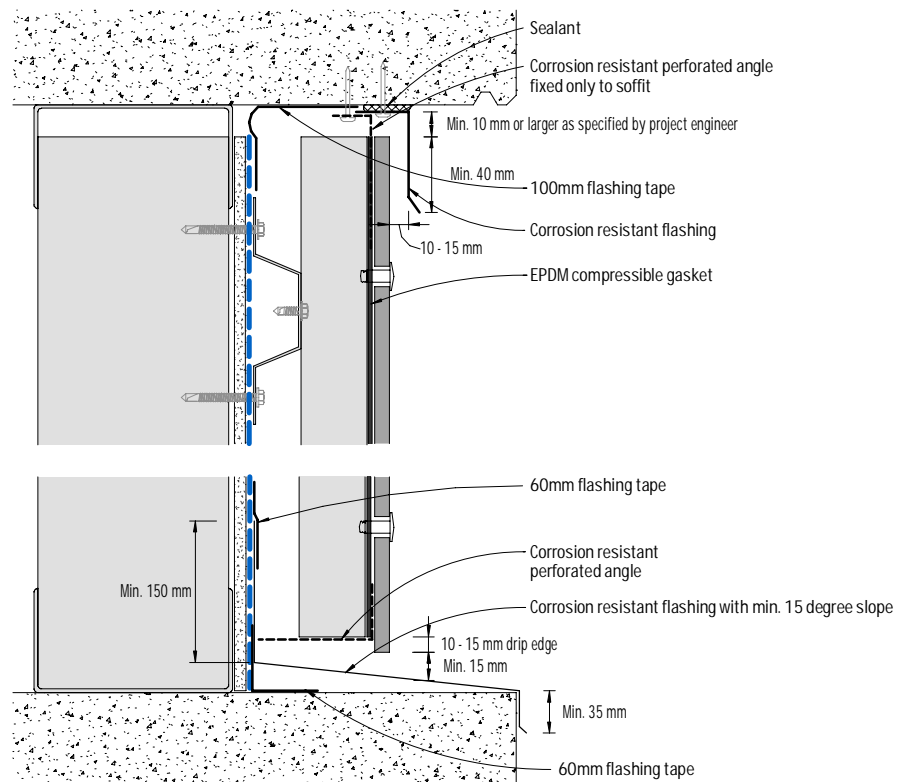


Figure 28: Exposed concrete slab or beam - Cladding recessed

Notes

- 1) Support frame profiles and rigid air barrier must NOT be fixed crossing over a control joint.
- 2) Corrosion resistant perforated angle shall be of max. thickness of 0.9mm where located between panel and support frame, and be of min. 50% open area with aperture size of 3-5mm.

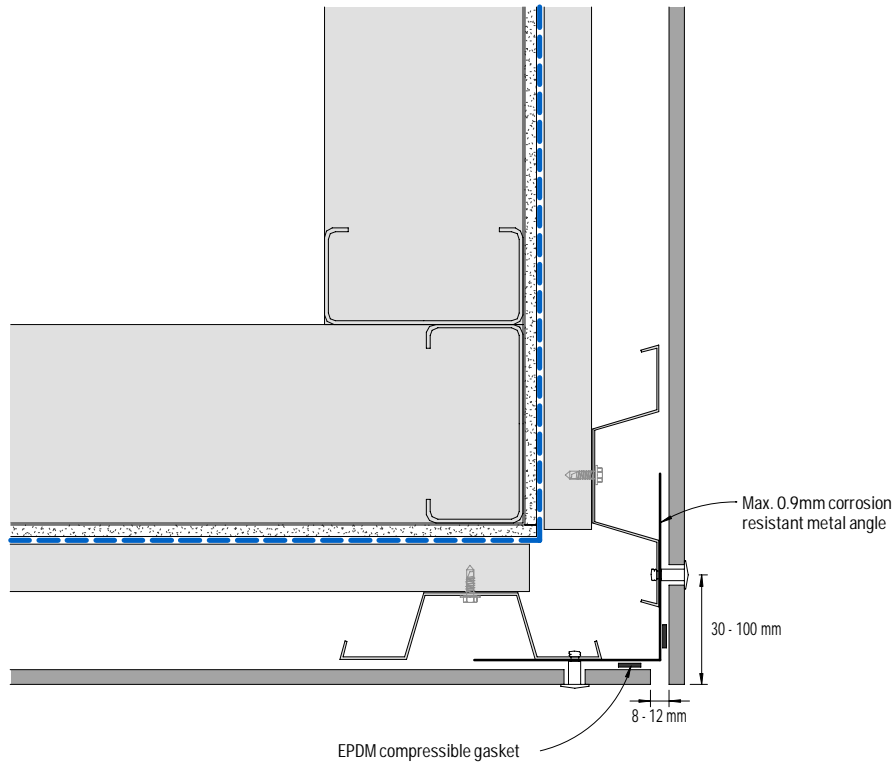


Figure 29: External corner - Detail 1

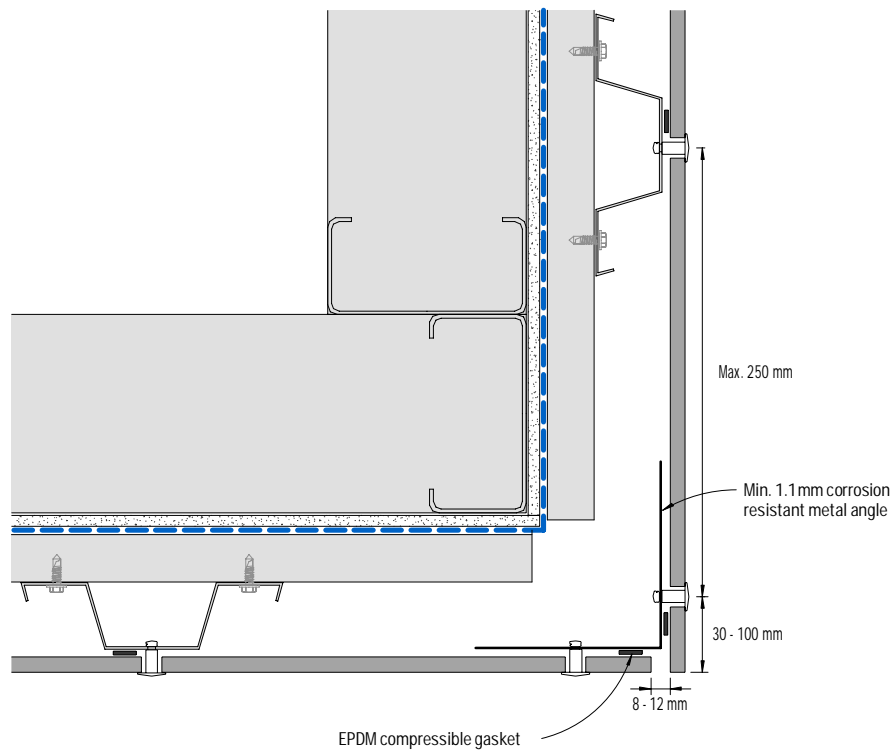


Figure 30: External corner - Detail 2

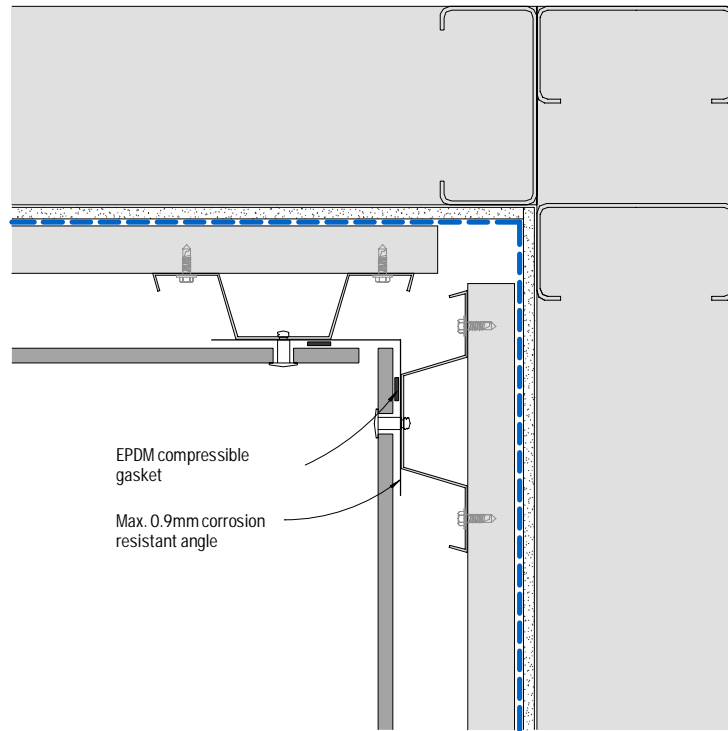


Figure 31: Internal corner

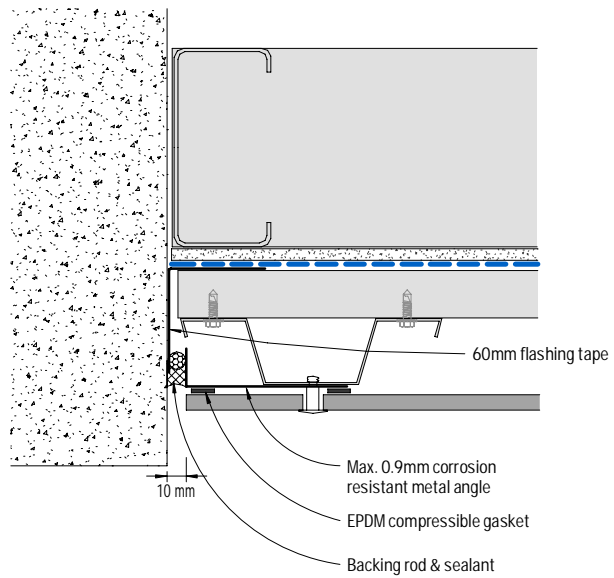


Figure 32: Abutment

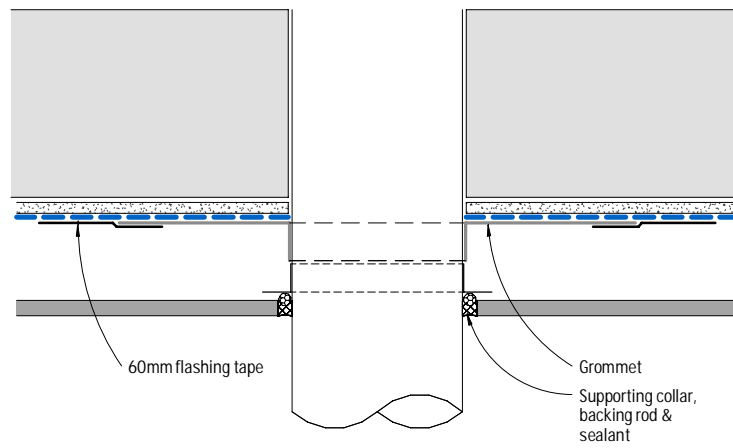


Figure 33: Pipe penetration - Plan view

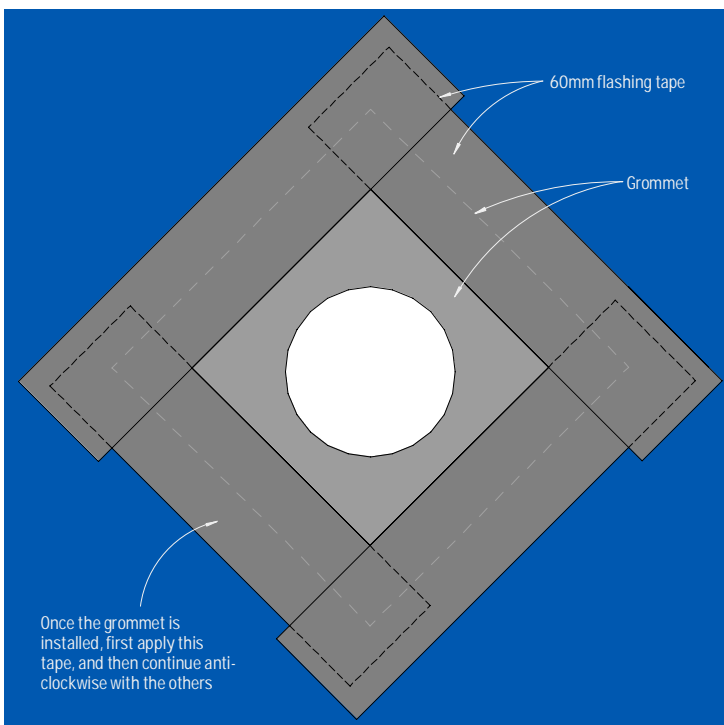


Figure 34: Pipe penetration - Elevation

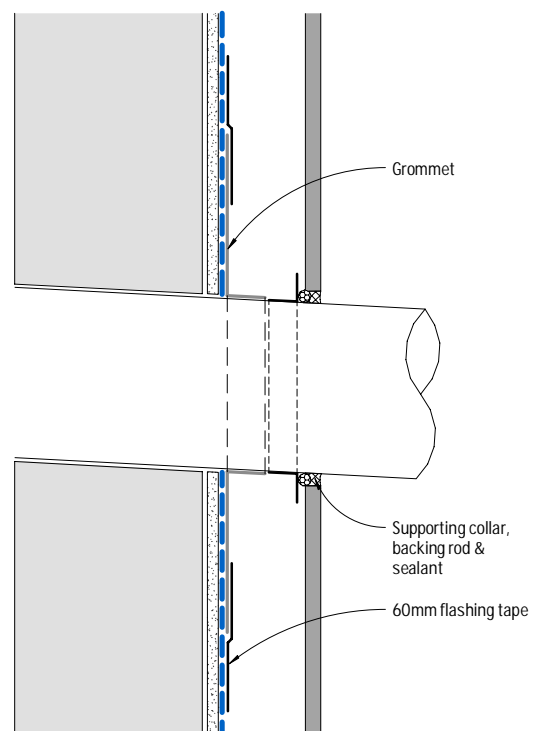


Figure 35: Pipe penetration - Section

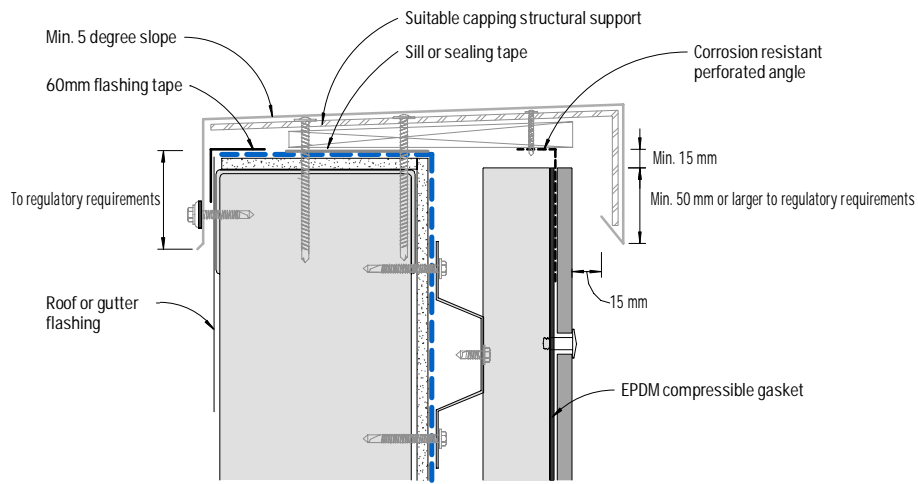


Figure 36: Capping - Detail 1

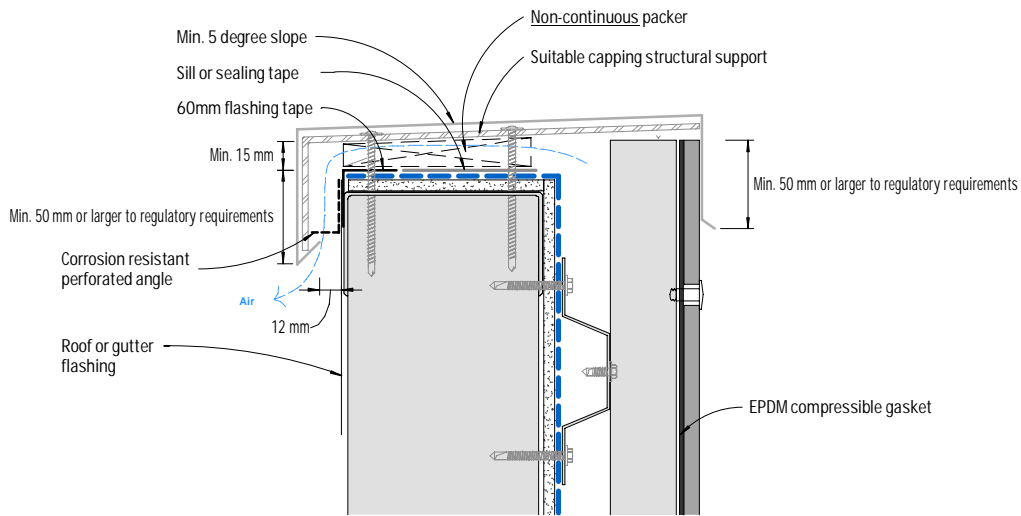


Figure 37: Capping - Detail 2
(Not suitable for EQUITONE [material])

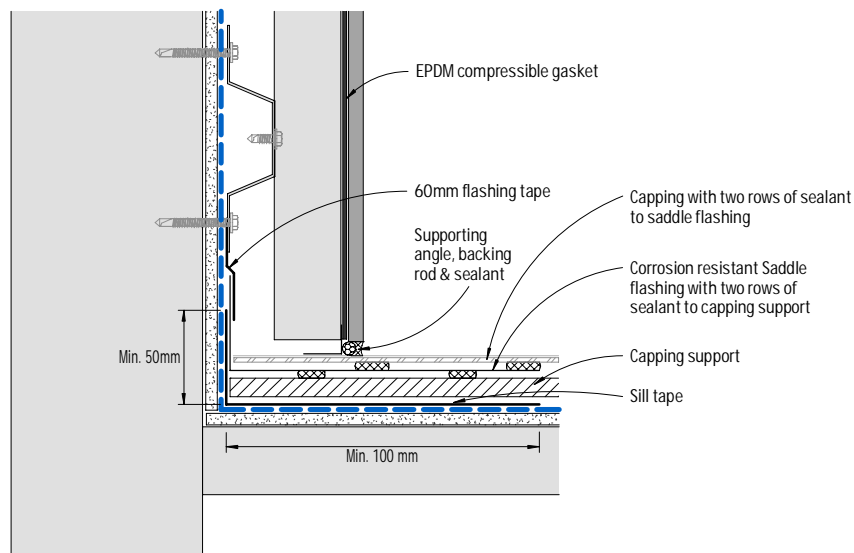


Figure 38: Parapet junction - Section

Notes

- 1) For EQUITONE [material], the following capping dimensions should be followed.
 - A minimum 20mm between panel face and rear of the capping
 - A minimum 50mm overlap with the panel for building up to 8m or larger to regulatory requirements.
 - A minimum 80mm overlap with the panel for building up to 20m or larger to regulatory requirements.
 - A minimum 100mm overlap with the panel for building over 20m or larger to regulatory requirements.
- 2) Any face fixings of capping shall be through an over sized hole (by min 5mm) in the capping as well as the panel.
- 3) Corrosion resistant perforated angle shall be of max. thickness of 0.9mm where located between panel and support frame, and be of min. 50% open area with aperture size of 3-5mm.
- 4) Capping shall be designed and engineered accordingly to provide adequate allowance for ventilation as shown in Figures 36 & 37.

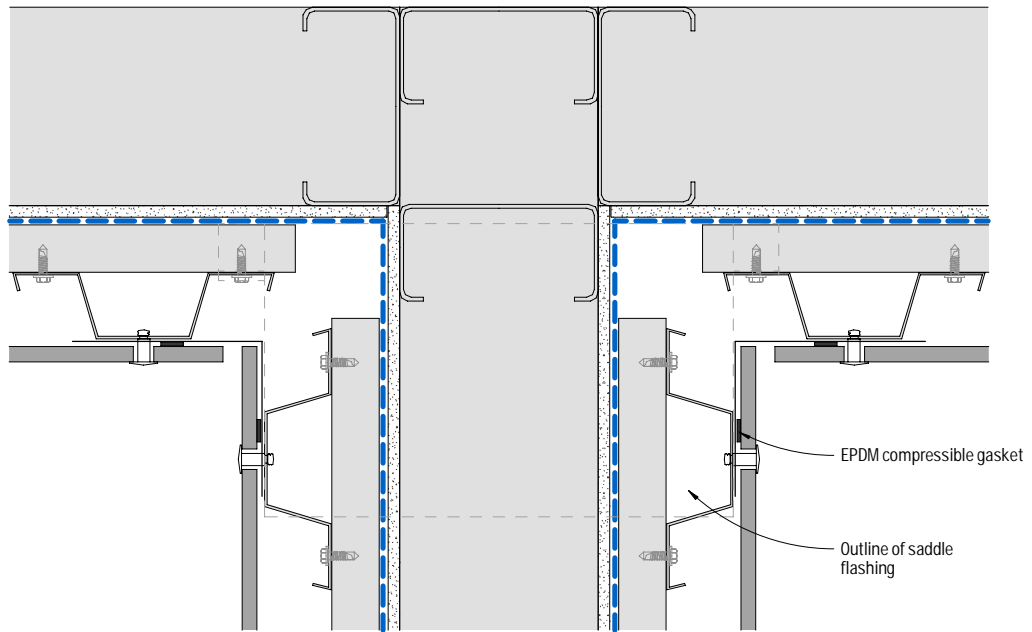


Figure 39: Parapet junction - Plan view

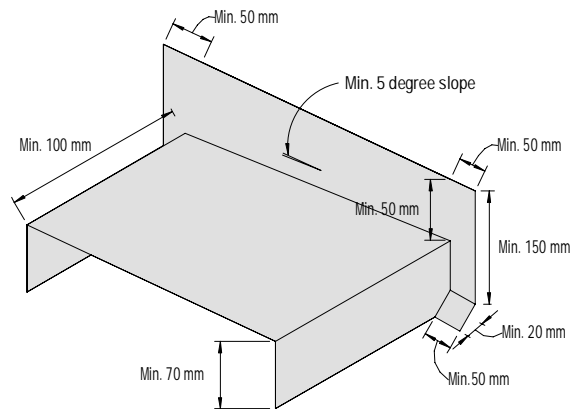
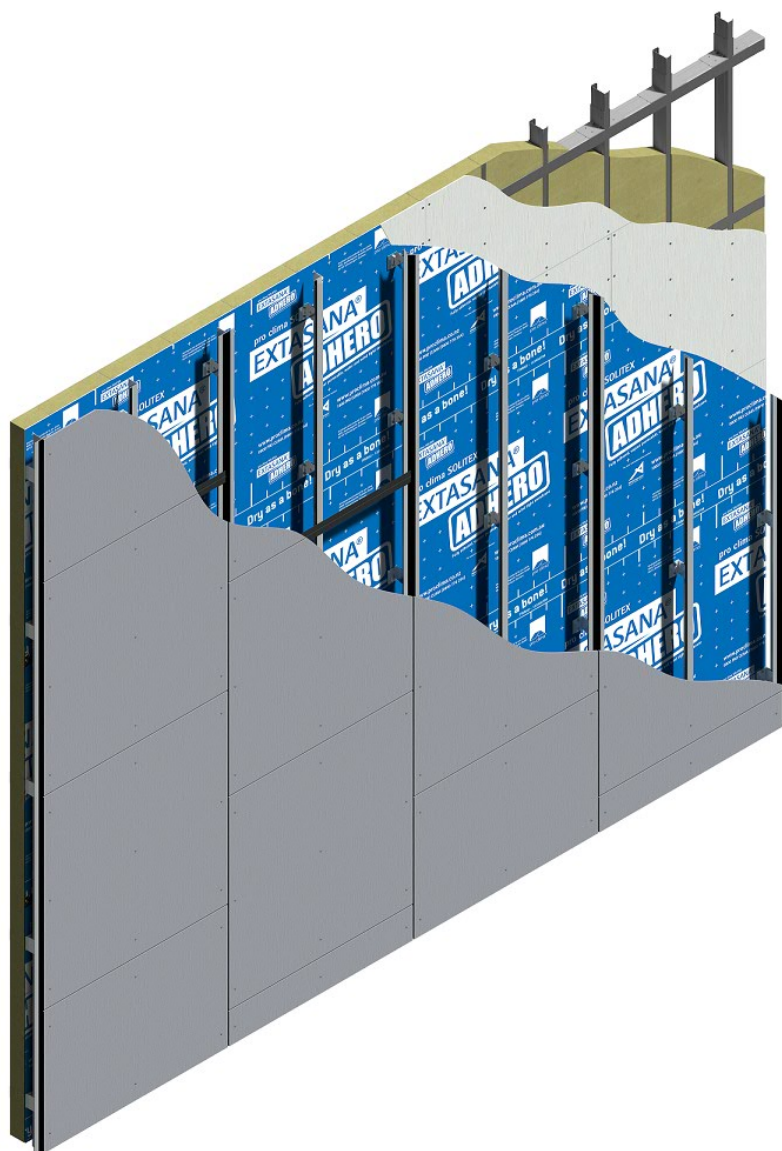


Figure 40: Corrosion resistant saddle flashing

EQUITONE system



rigid air barrier

aluminium bracketry construction

Support frame

EQUITONE may be fixed to NVELOPE NV1 thermally broken aluminium bracketry framing system.

Support frame shall be of adequate corrosion resistance required for the project.

Structure and support frame shall be designed to relevant standards including, but not limited to, the following:

- AS/NZS 1664.1 – Aluminium structures
- AS/NZS 4600 – Cold-formed steel structures
- NZS 3404 – Steel structures
- NZS 3604 – Timber framed buildings

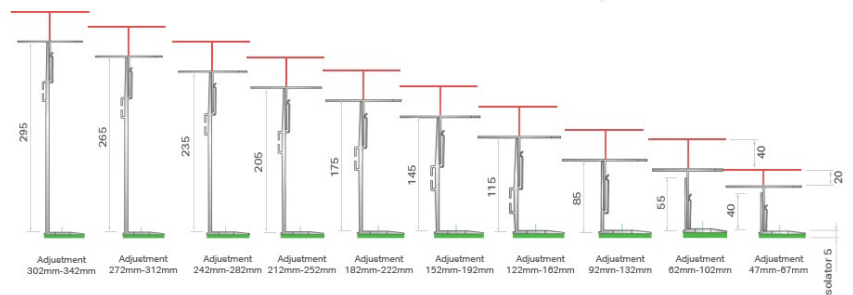
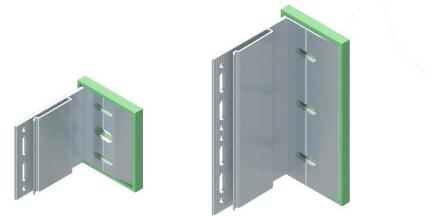
Thermal isolator gasket

Used to minimise thermal bridging, and to separate aluminium from steel or concrete.



Bracket

NVELOPE aluminium brackets are available in two sizes, ie single and double, with various depths to suit a wide range of cavity widths from approx. 50 to 300mm.



Vertical rail (profile)

NVELOPE aluminium vertical L and T rails

Minimum face width of T rail: 120 mm

Minimum face width of L rail: 40 mm



Notes

Support frame and its connection to substructure shall be designed by project engineer in accordance with the relevant standards. Refer to UNI Rivet span tables for maximum vertical and horizontal spacing of panel fixings.

The application of NVELOPE system shall be in accordance with its supplier's recommendations and guidelines.

Refer to NVELOPE and EQUITONE brochure for detailed information on NVELOPE components and their available sizes and options.

Drawings index

Detail	Figure	Page
Baffled horizontal joint	1	101
Baffled horizontal joint junction with vertical joint - Elevation	2	101
Open horizontal joint	3	101
Open horizontal joint junction with vertical joint - Elevation	4	101
Vertical joint - Detail 1	5	102
Vertical joint - Detail 2	6	102
Vertical joint - Detail 3	7	102
Intermediate panel fixings connection	8	102
Horizontal control joint	9	103
EPDM gasket support over control joint or the like	10	103
Vertical control joint	11	103
Flush window - Head and sill	12	104
Flush window - Jamb	13	104
Recessed window - Head and sill	14	105
Recessed window jamb - Option 1	15	105
Recessed window jamb - Option 2	16	105
Meter box - Section	17	106
Meter box - Plan view - Detail 1	18	106
Meter box - Plan view - Detail 2	19	106
Isometric view of window/meter box opening - Tape application	20	107
Soffit junction	21	107
Base detail	22	108
Base detail - Covered area	23	108
Base detail - Balcony	24	108
Junction with other materials - flush detail	25	109
Junction with other materials, eaves or the like - recessed detail	26	109
Exposed concrete slab or beam - Cladding flush	27	110
Exposed concrete slab or beam - Cladding recessed	28	110
External corner - Detail 1	29	111
External corner - Detail 2	30	111
Internal corner	31	112
Abutment	32	112
Pipe penetration - Plan view	33	113
Pipe penetration - Elevation	34	113
Pipe penetration - Section	35	113
Capping - Detail 1	36	114
Capping - Detail 2	37	114
Parapet junction - Section	38	114
Parapet junction - Plan view	39	115
Corrosion resistant saddle flashing	40	115

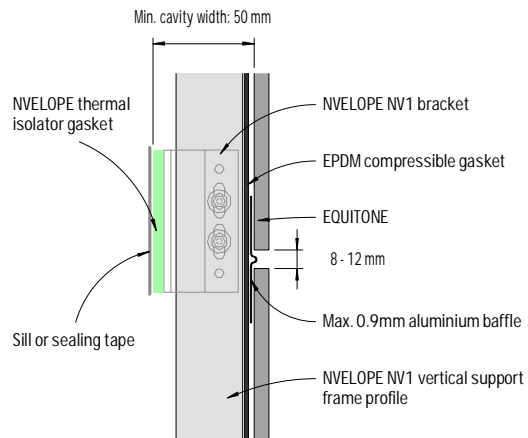


Figure 1: Baffled horizontal joint
(Not suitable for EQUITONE [material])

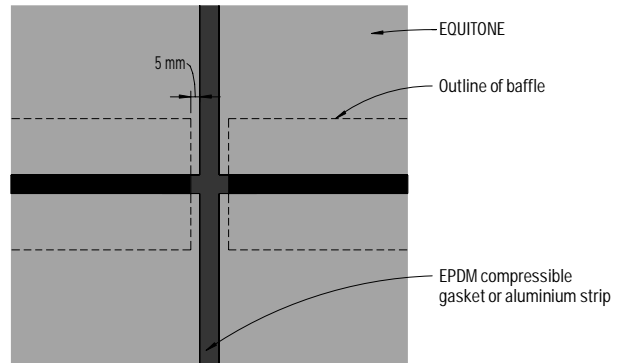


Figure 2: Baffled horizontal joint
junction with vertical joint - Elevation

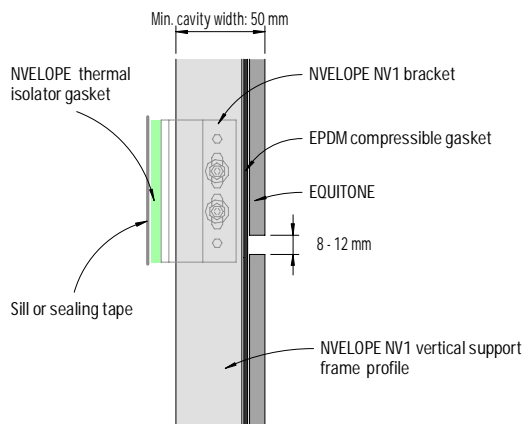


Figure 3: Open horizontal joint

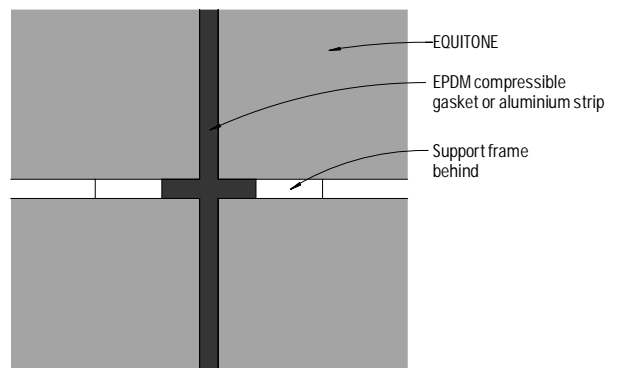


Figure 4: Open horizontal joint junction
with vertical joint - Elevation

Notes

- 1) Horizontal open joint detail (Figure 3 & 4) requires project engineer's evaluation and approval, and the selection of appropriate UV resistant weather resistive barrier (membrane).
- 2) In Figure 4, visible part of the support frame profiles and weather barrier may be coated black with suitable paint.
- 3) Depending on the project requirements max. 0.9mm (powder) coated aluminium strip may be used in lieu of EPDM strip on vertical joints for higher UV resistance.
- 4) The length of NVELOPE NV3 vertical and horizontal rail, and expressed joint profile must NOT exceed 3,150mm.

Intermediate (narrow) EPDM compressible gasket may be applied as shown in dashed line, replacing the wide one, where the metal strip behind is of desired colour

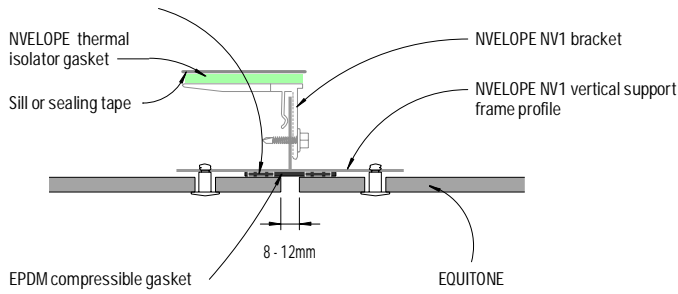


Figure 5: Vertical joint - Detail 1

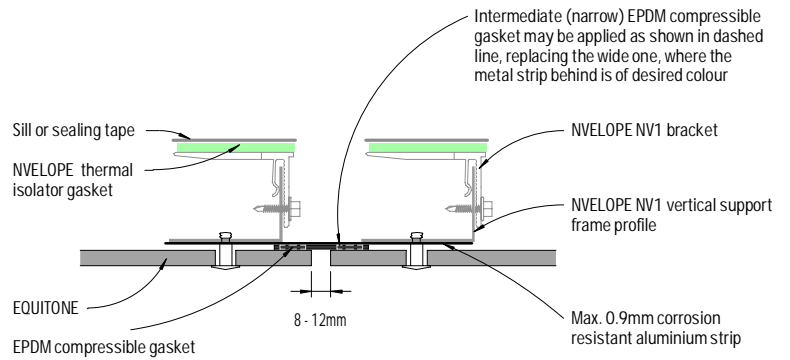


Figure 6: Vertical joint - Detail 2

Intermediate (narrow) EPDM compressible gasket may be applied as shown in dashed line, replacing the wide one, where the metal strip behind is of desired colour

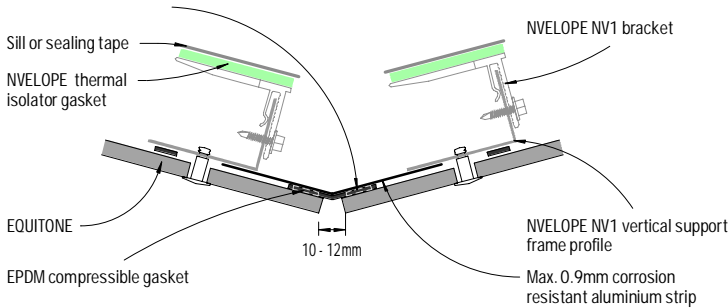


Figure 7: Vertical joint - Detail 3

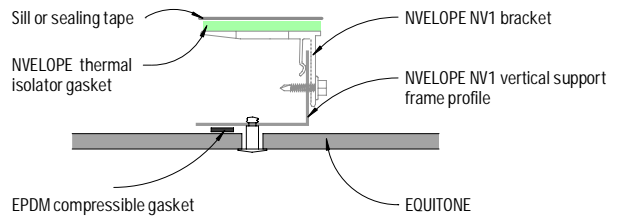


Figure 8: Intermediate panel fixings connection

Notes

- 1) Depending on the project requirements max. 0.9mm (powder) coated aluminium strip may be used in lieu of EPDM strip on vertical joints for higher UV resistance.
- 3) In Figure 6 & 7, the aluminium strip should be fixed ONLY to one of the support frame profiles (either left or right) where allowance for horizontal and/or vertical movement of the cladding frame is required.
- 2) EPDM compressible gasket strip is applied away from the panel hole, and usually to one side of the support frame profile as shown in Figure 8.

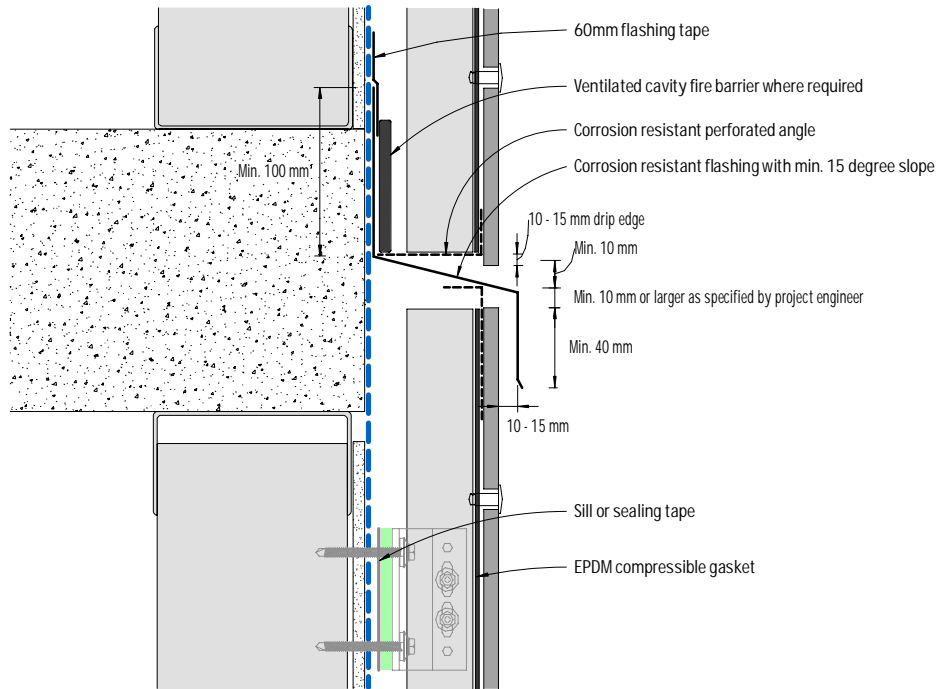


Figure 9: Horizontal control joint

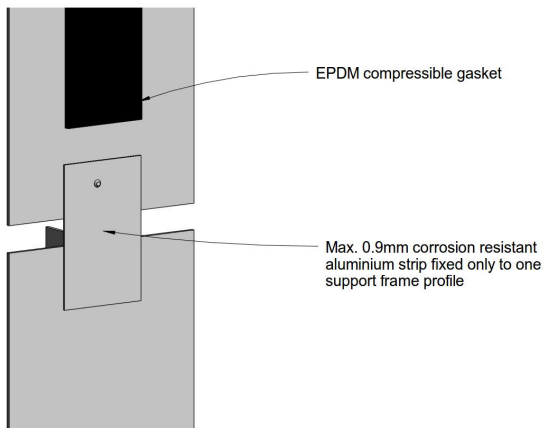


Figure 10: EPDM gasket support over control joint or the like

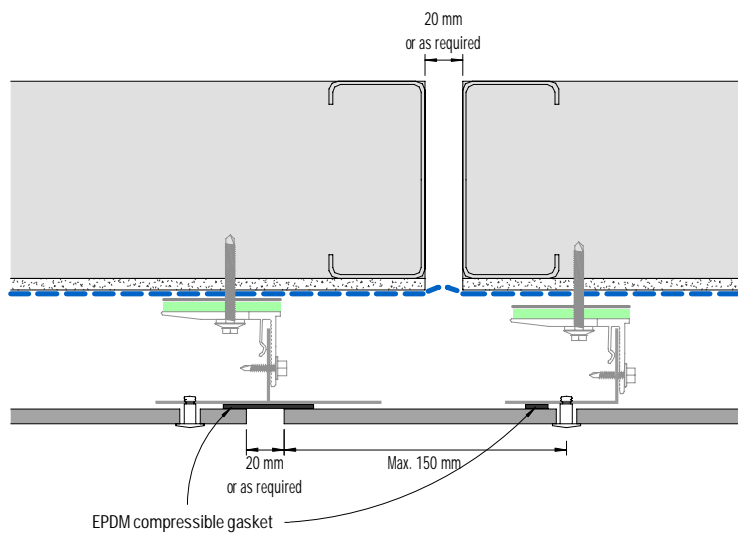


Figure 11: Vertical control joint

Notes

- 1) Support frame profiles and rigid air barrier must NOT be fixed crossing over a control joint.
- 2) Allowance for movement at the location of any control joint must be made in the cladding and its support frame design and installation. Panel must NOT be fixed bridging over any control joint.
- 3) Corrosion resistant perforated angle shall be of max. thickness of 0.9mm where located between panel and support frame, and be of min. 50% open area with aperture size of 3-5mm.

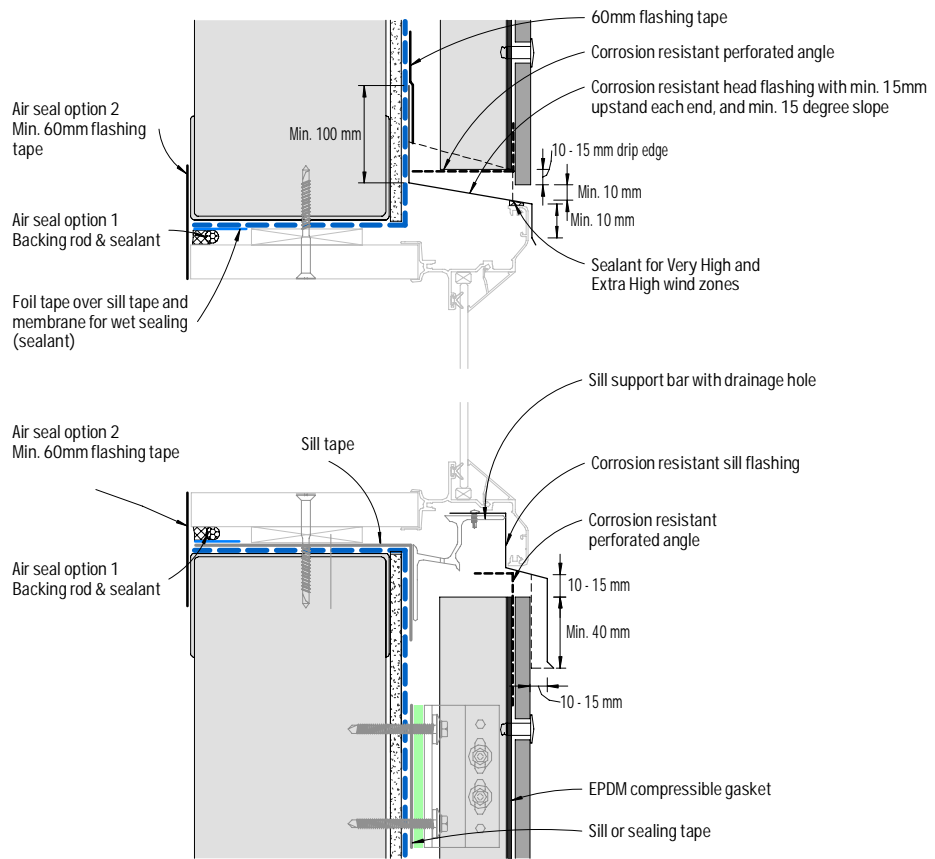


Figure 12: Flush window - Head and sill

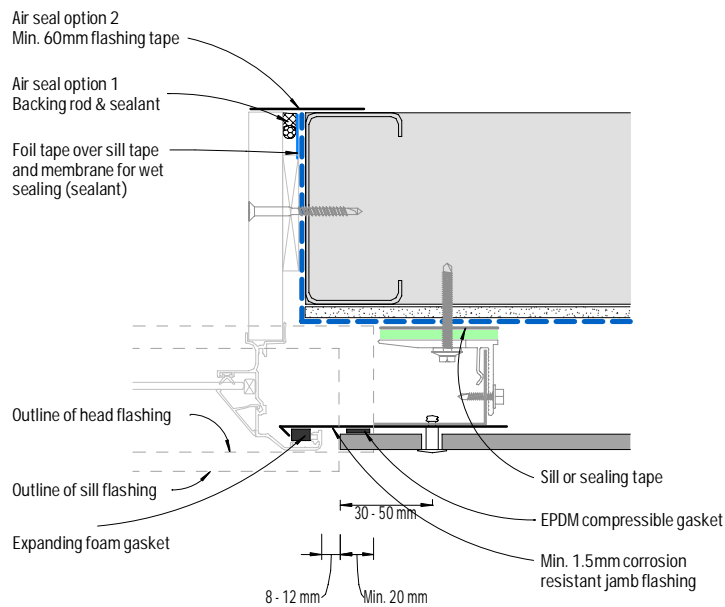


Figure 13: Flush window - Jamb

Notes

- 1) ONLY sealant compatible with the foil tape should be used. Should any sealant be intended to be used directly on the flashing and/or sill tape it must be confirmed with its manufacturer to ensure compatibility with these tapes in accordance with the relevant standards.
- 2) Corrosion resistant perforated angle shall be of max. thickness of 0.9mm where located between panel and support frame, and be of min. 50% open area with aperture size of 3-5mm.

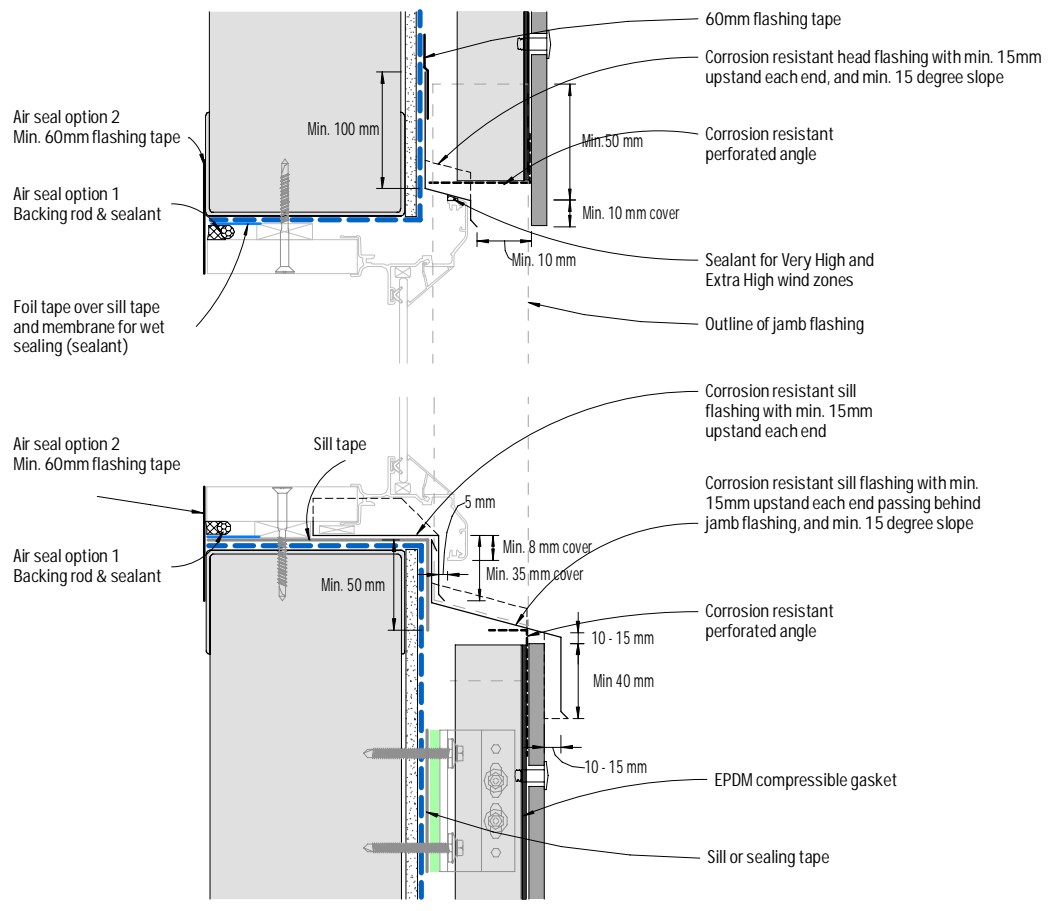


Figure 14: Recessed window - Head and sill

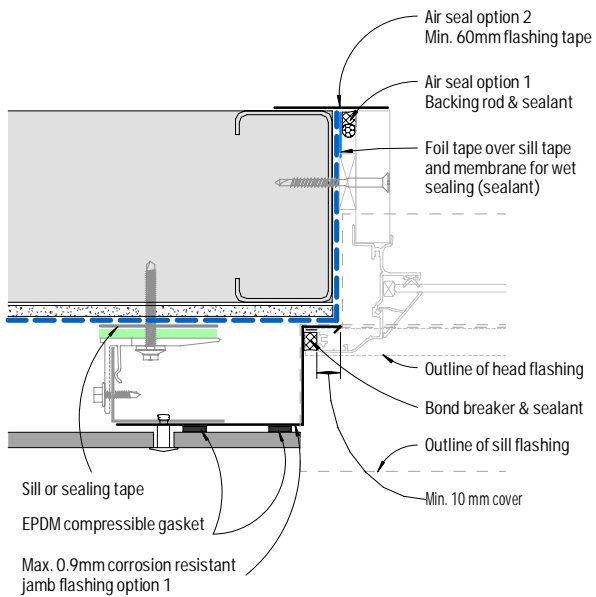


Figure 15: Recessed window jamb - Option 1

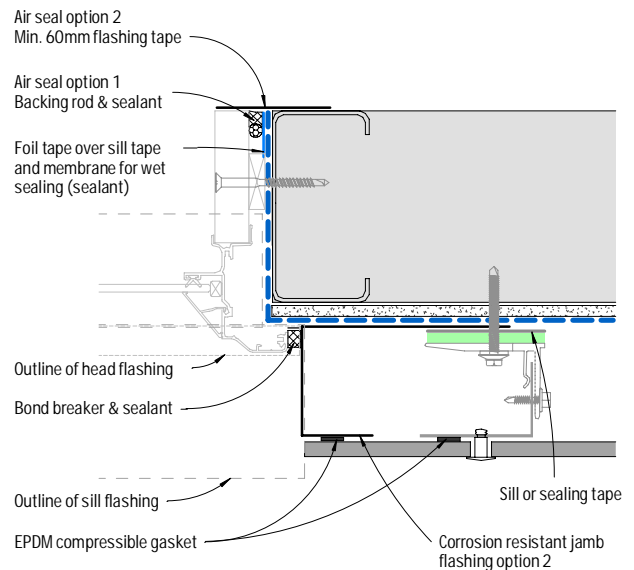


Figure 16: Recessed window jamb - Option 2

Notes

- 1) ONLY sealant compatible with the foil tape should be used. Should any sealant be intended to be used directly on the flashing and/or sill tape it must be confirmed with its manufacturer to ensure compatibility with these tapes in accordance with the relevant standards.
- 2) Corrosion resistant perforated angle shall be of max. thickness of 0.9mm where located between panel and support frame, and be of min. 50% open area with aperture size of 3-5mm.

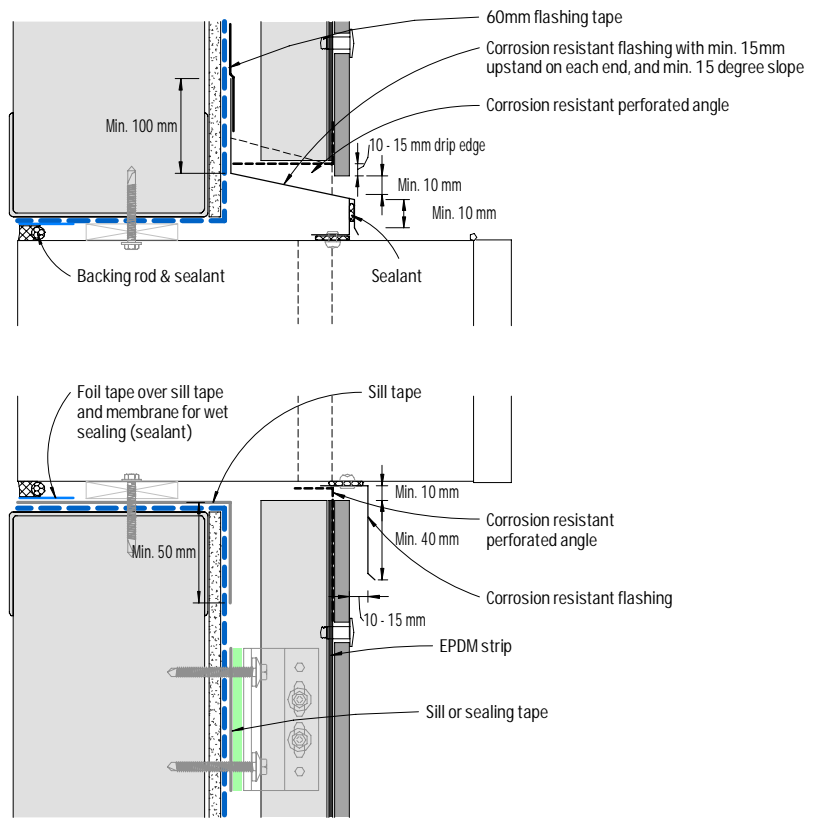


Figure 17: Meter box - Section

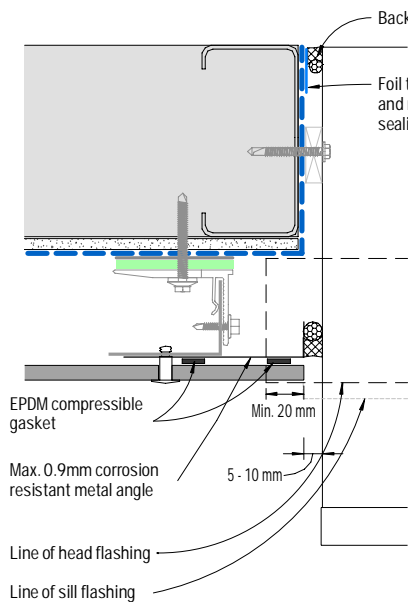


Figure 18: Meter box - Plan view - Detail 1

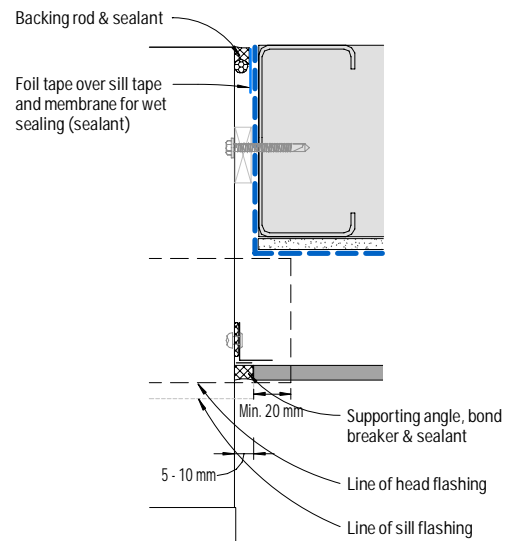


Figure 19: Meter box - Plan view - Detail 2

Notes

- 1) ONLY sealant compatible with the foil tape should be used. Should any sealant be intended to be used directly on the flashing and/or sill tape it must be confirmed with its manufacturer to ensure compatibility with these tapes in accordance with the relevant standards.
- 2) Corrosion resistant perforated angle shall be of max. thickness of 0.9mm where located between panel and support frame, and be of min. 50% open area with aperture size of 3-5mm.

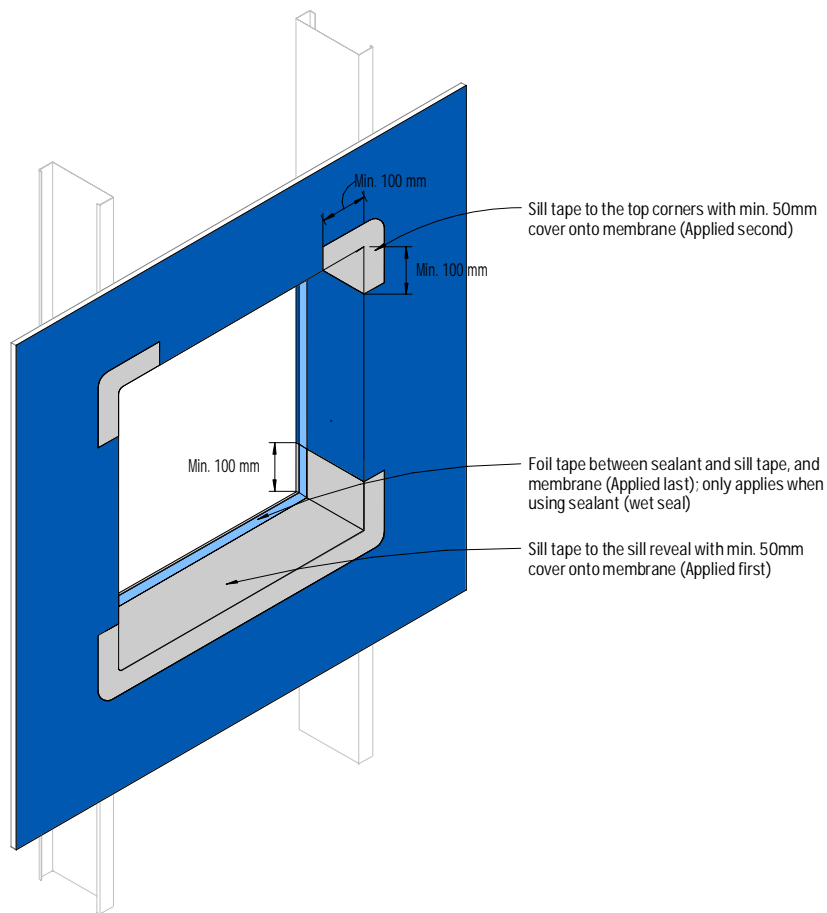


Figure 20: Isometric view of window/meter box opening - Tape application

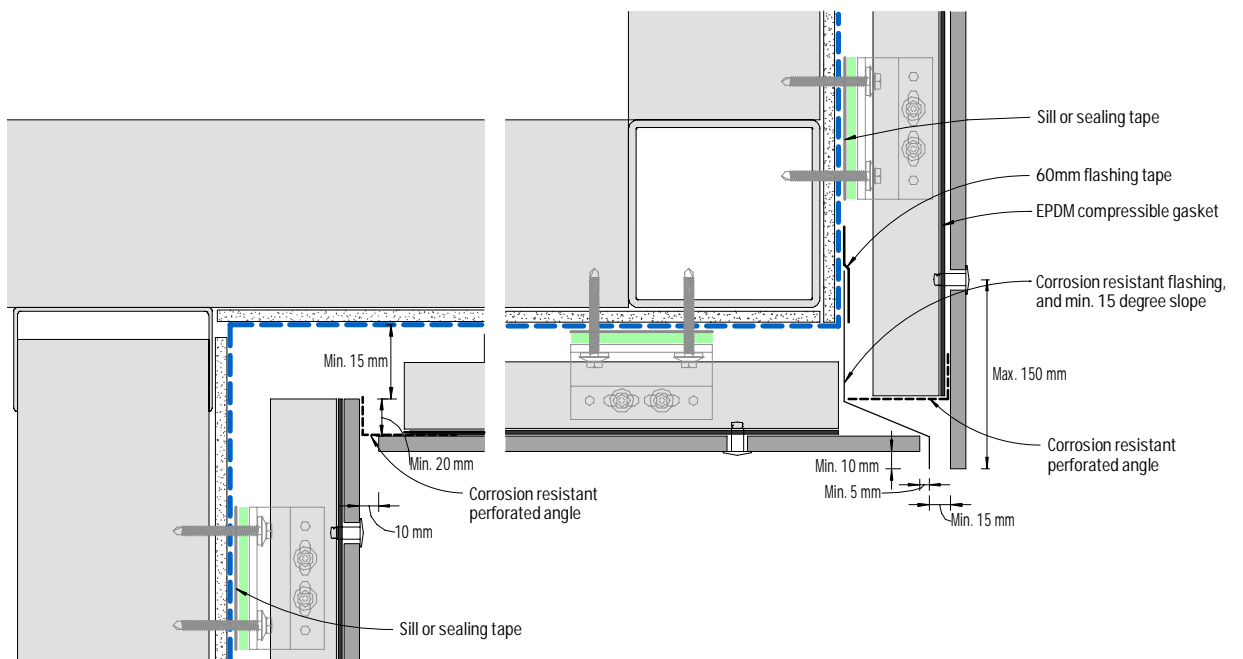


Figure 21: Soffit junction

Notes

- 1) ONLY sealant compatible with the foil tape should be used. Should any sealant be intended to be used directly on the flashing and/or sill tape it must be confirmed with its manufacturer to ensure compatibility with these tapes in accordance with the relevant standards.
- 2) Support frame profiles and rigid air barrier must NOT be fixed crossing over a control joint.
- 3) Corrosion resistant perforated angle shall be of max. thickness of 0.9mm where located between panel and support frame, and be of min. 50% open area with aperture size of 3-5mm.

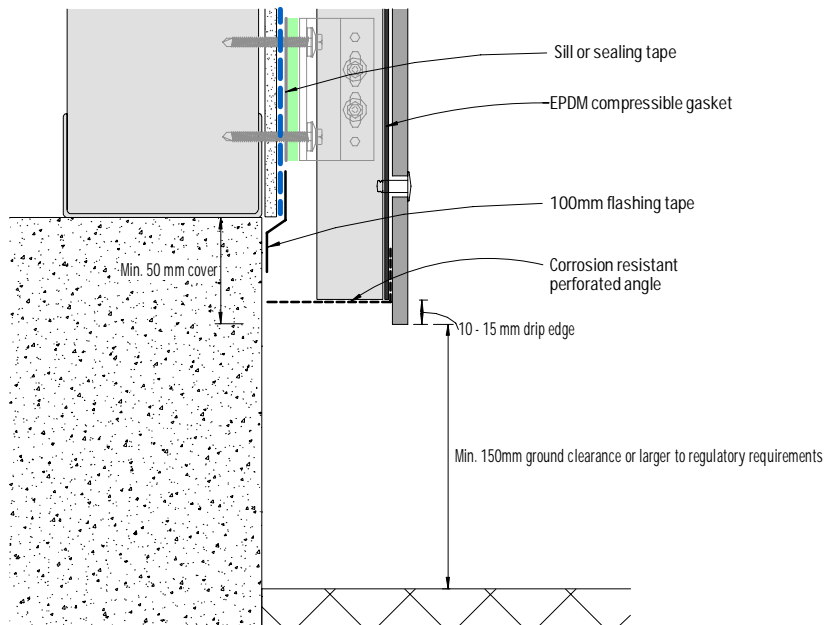


Figure 22: Base detail

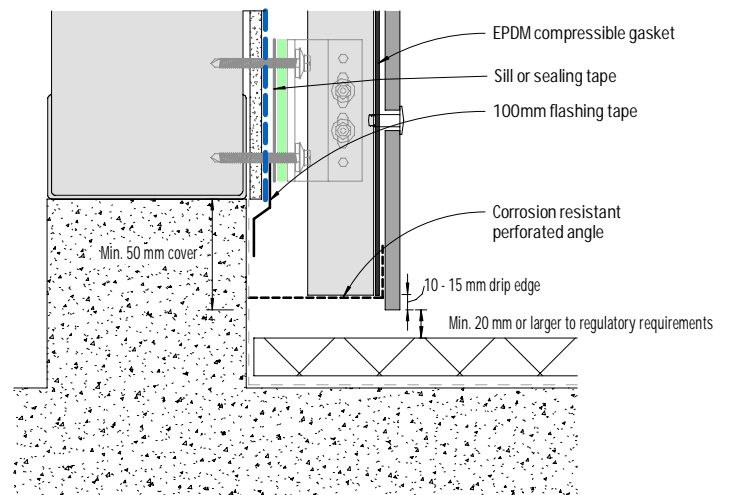


Figure 23: Base detail - Covered area

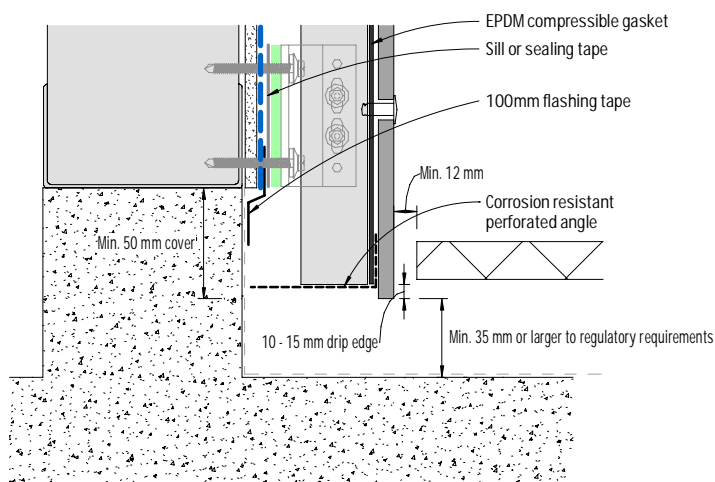


Figure 24: Base detail - Balcony

Notes

- 1) For **EQUITONE [materia]**, minimum ground clearance is **300mm**.
- 2) Corrosion resistant perforated angle shall be of max. thickness of 0.9mm where located between panel and support frame, and be of min. 50% open area with aperture size of 3-5mm.

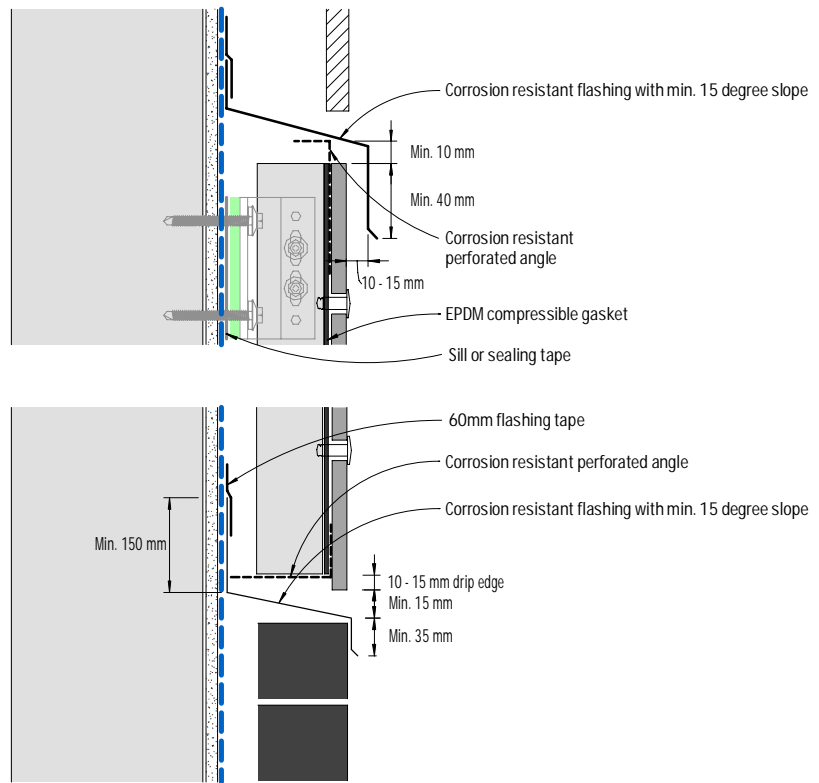


Figure 25: Junction with other materials - flush detail

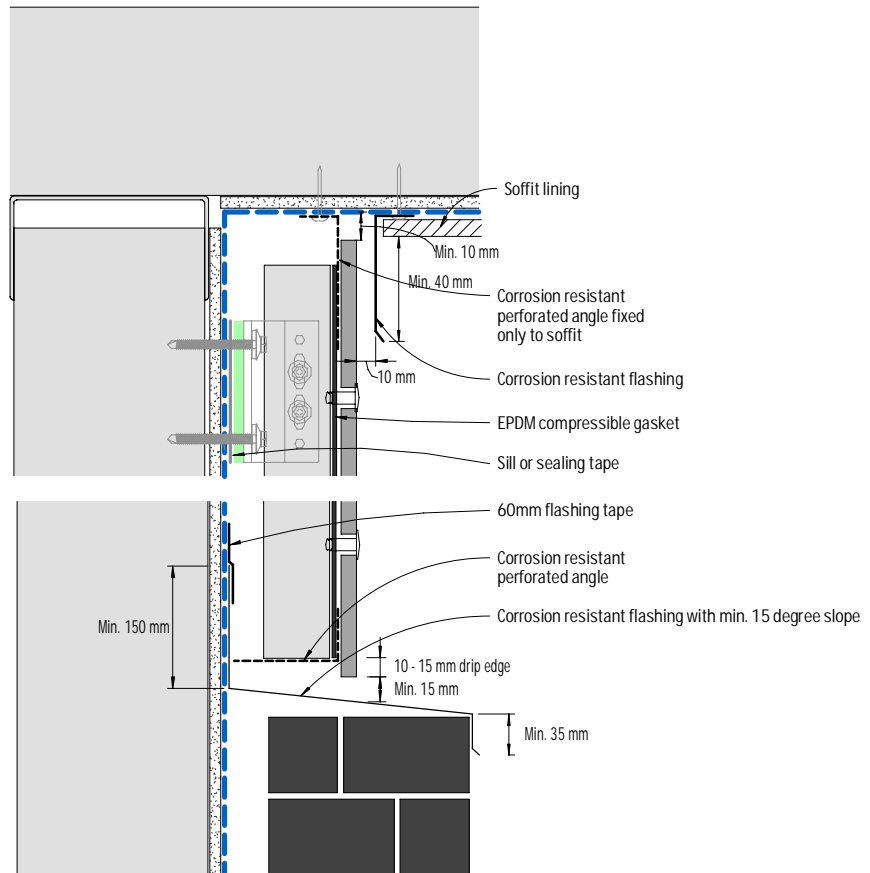


Figure 26: Junction with other materials, eaves or the like - recessed detail

Notes

- 1) Support frame profiles and rigid air barrier must NOT be fixed crossing over a control joint.
- 2) Corrosion resistant perforated angle shall be of max. thickness of 0.9mm where located between panel and support frame, and be of min. 50% open area with aperture size of 3-5mm.

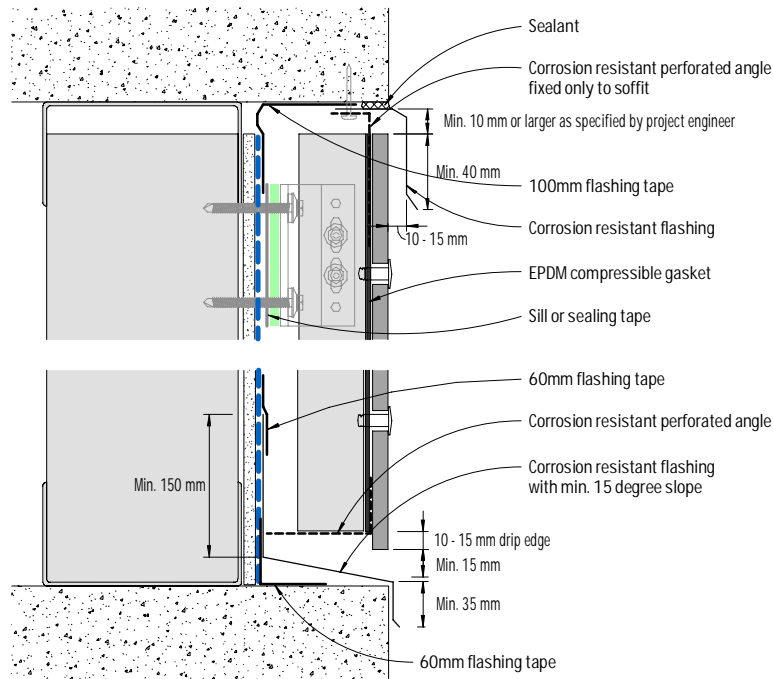


Figure 27: Exposed concrete slab or beam - Cladding flush

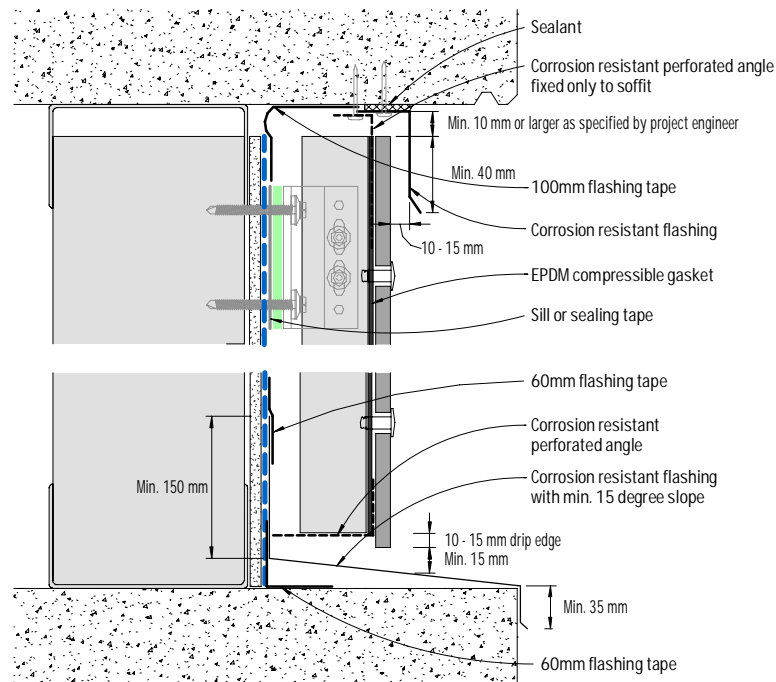


Figure 28: Exposed concrete slab or beam - Cladding recessed

Notes

- 1) Refer to Pro Clima's flashing tape application guide for any pre-treatment required on concrete or masonry for the application of the flashing tape onto these substrates.
- 2) Support frame profiles and rigid air barrier must NOT be fixed crossing over a control joint.
- 3) Corrosion resistant perforated angle shall be of max. thickness of 0.9mm where located between panel and support frame, and be of min. 50% open area with aperture size of 3-5mm.

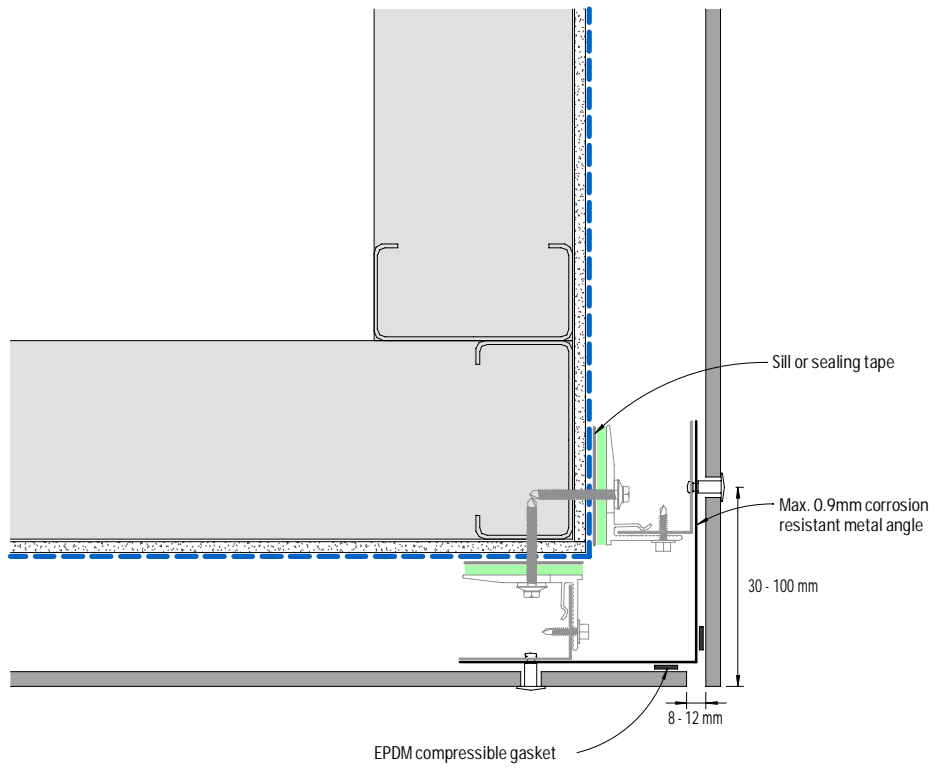


Figure 29: External corner - Detail 1

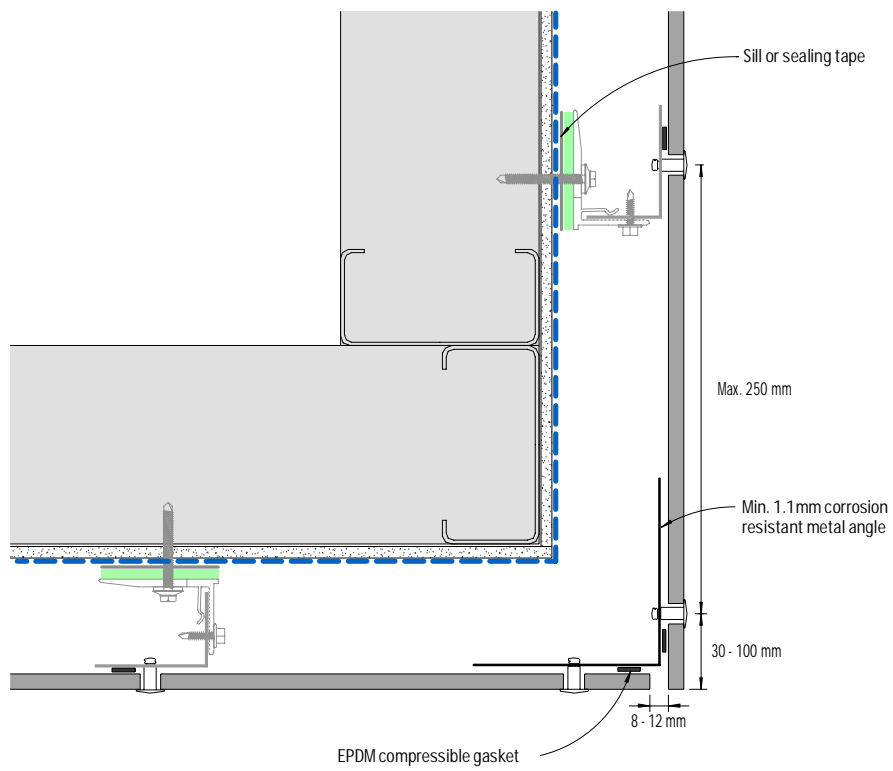


Figure 30: External corner - Detail 2

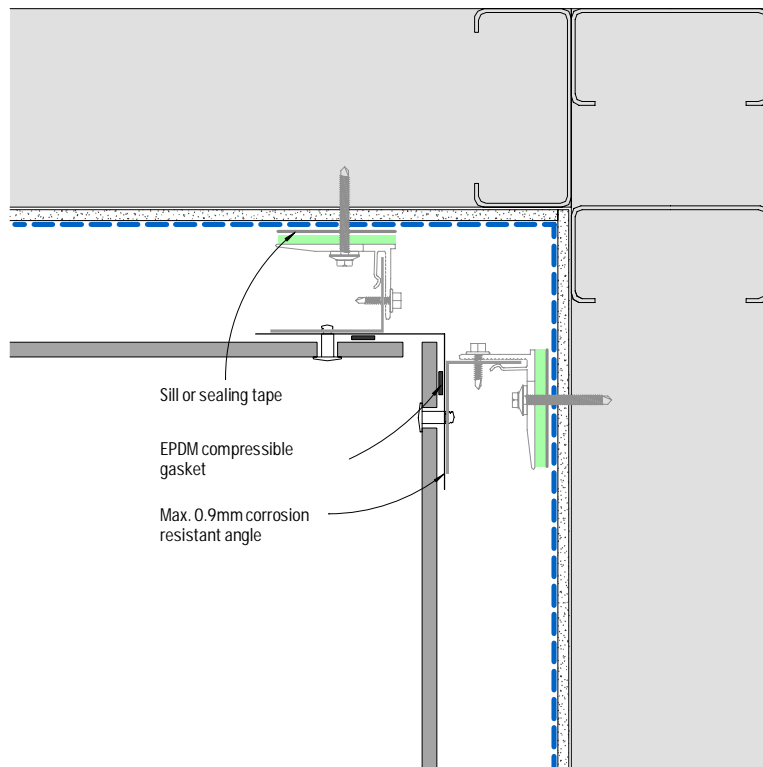


Figure 31: Internal corner

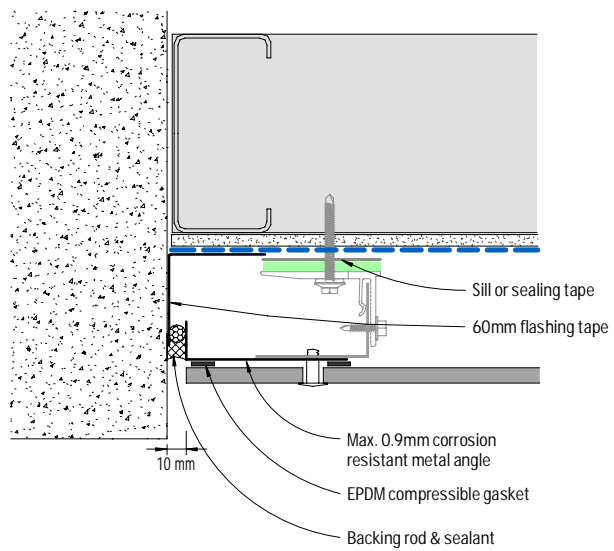


Figure 32: Abutment

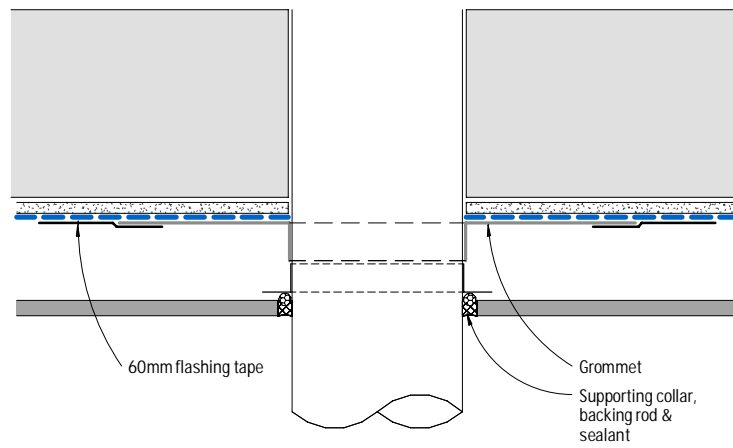


Figure 33: Pipe penetration - Plan view

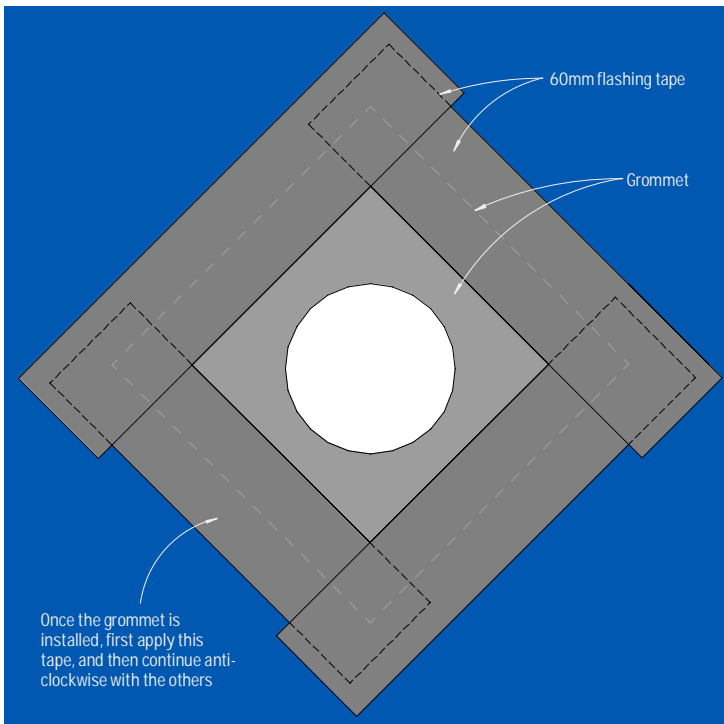


Figure 34: Pipe penetration - Elevation

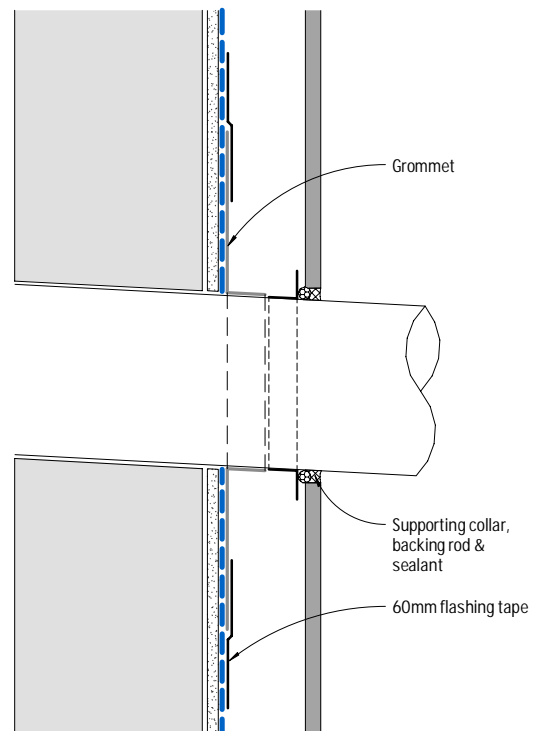


Figure 35: Pipe penetration - Section

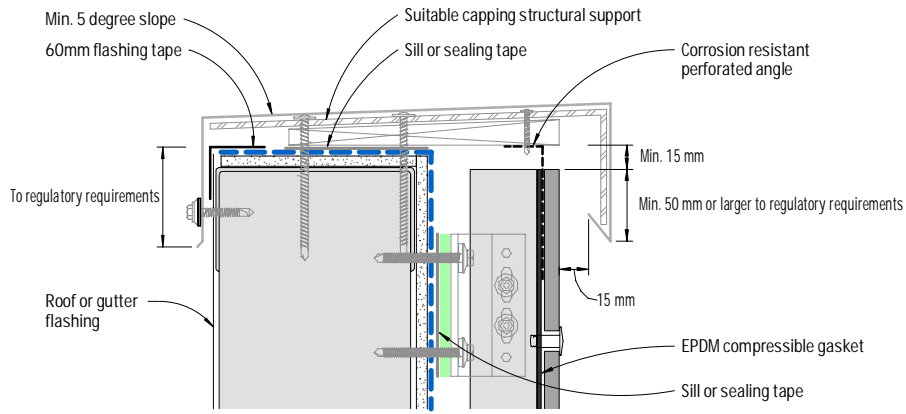


Figure 36: Capping - Detail 1

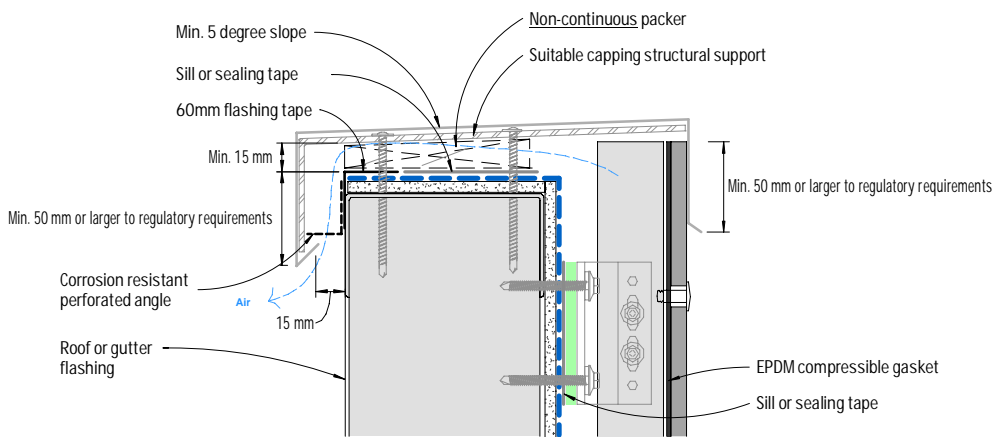


Figure 37: Capping - Detail 2
(Not suitable for EQUITONE [material])

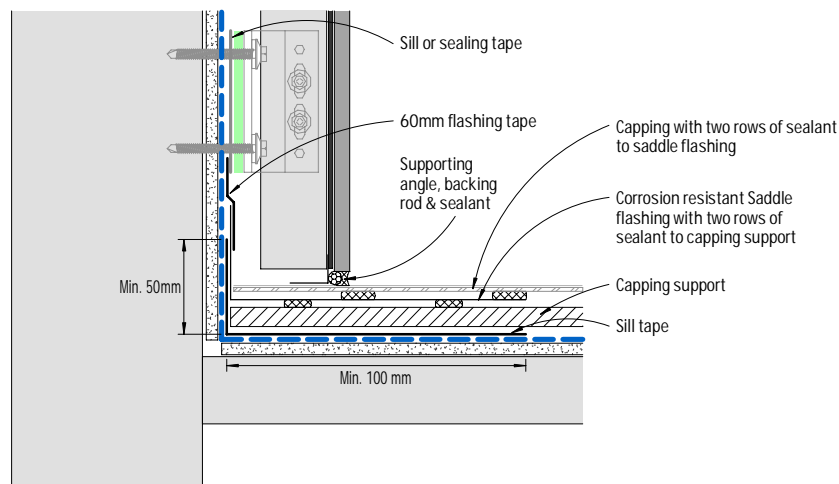


Figure 38: Parapet junction - Section

Notes

- 1) For EQUITONE [material], the following capping dimensions should be followed.
 - A minimum 20mm between panel face and rear of the capping
 - A minimum 50mm overlap with the panel for building up to 8m or larger to regulatory requirements.
 - A minimum 80mm overlap with the panel for building up to 20m or larger to regulatory requirements.
 - A minimum 100mm overlap with the panel for building over 20m or larger to regulatory requirements.
- 2) Any face fixings of capping shall be through an over sized hole (by min 5mm) in the capping as well as the panel.
- 3) Corrosion resistant perforated angle shall be of max. thickness of 0.9mm where located between panel and support frame, and be of min. 50% open area with aperture size of 3-5mm.
- 4) Capping shall be designed and engineered accordingly to provide adequate allowance for ventilation as shown in Figures 36 & 37.

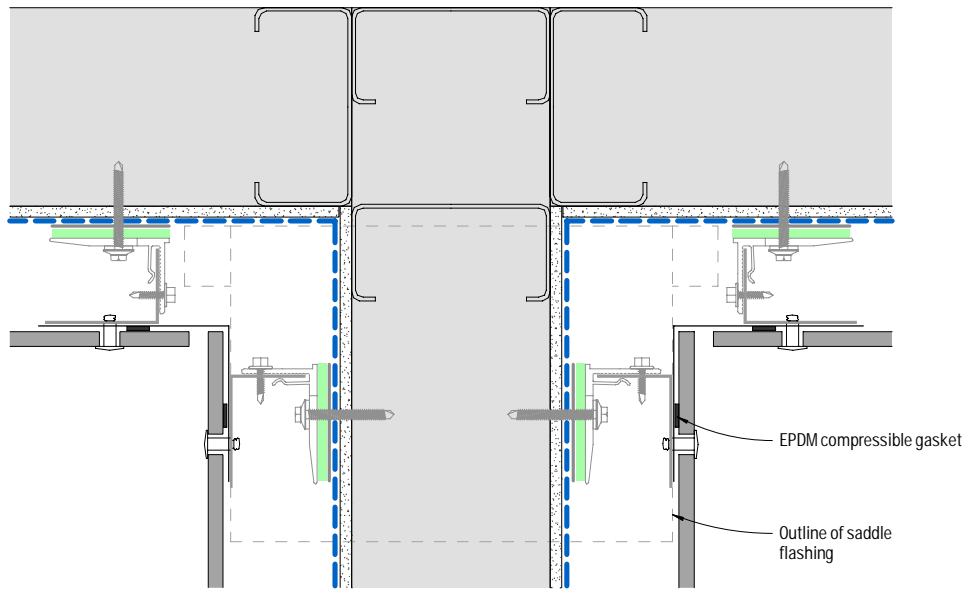


Figure 39: Parapet junction - Plan view

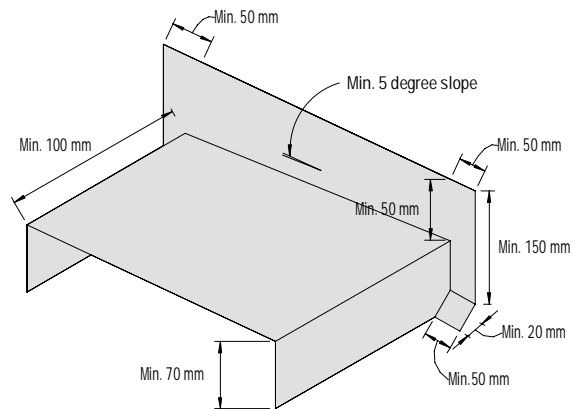


Figure 40: Corrosion resistant saddle flashing

EQUITONE system

EQUITONE ANZ
10-20 Jordan Close
Altona VIC 3018
Australia

+61 (03) 9988 2290
info.australia@equitone.com
equitone.com