



EQUITONE system

construction details

EQUITONE with face fixings on metal support frame

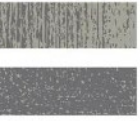


Table of contents

General information	3
Components	4
Ventilation	7
EQUITONE façade system with pliable membrane	
Vertical top hat construction	8
Double layer top hat construction	24
Aluminium bracketry construction	40
EQUITONE façade system with rigid air barrier	
Vertical top hat construction	56
Double layer top hat construction	73
Aluminium bracketry construction	90



General information

This document provides generic construction details for EQUITONE façade systems with UNI Rivet panel face fixings on metal support frame to assist with the design of EQUITONE façade.

This document is not designed to serve as an installation guide, and is intended to be used in conjunction with 'EQUITONE Design and Installation Guide_face fixings on metal frame' and other relevant technical and installation documents.

Construction details in this document have been independently certified for the purpose of compliance with the performance requirement of the F3P1 & H2P2 of the NCC 2022.

The weatherproofing performance of any project specific detail or application that is different from or not included in the construction details of this document shall be evaluated by the project engineer or consultant.

Cladding support frame and its connection to substructure shall be designed by the project engineer in accordance with the relevant standards. The support frame maximum deflection under the influence of load shall be limited to $\text{Span}/250$. The support frame, fixings, flashings and the like shall be of adequate corrosion resistance appropriate to the corrosivity category of the project location.

Refer to your local EQUITONE technical team for the specific requirements pertaining to the application of EQUITONE in bushfire prone areas (BAL).

Construction details contained in this document are not to a specific scale, and are for illustration purposes only.

The information in this guide is comprehensive but not exhaustive, and the reader will need to satisfy themselves that the contents of this guide are suitable for their intended application. It is the responsibility of the project consultants (designer, architect, and engineers) to ensure that the information and details provided in this document are appropriate for the project.

The information in this document is correct at the time of issuing. However, due to our committed program of continuous material and system development we reserve the right to amend or alter the information contained in this document without prior notice. Please contact your local EQUITONE sales organisation or visit www.equitone.com to ensure you have the most current version.

This document is supplied in good faith and no liability can be accepted for any loss or damage resulting from its use. Images and construction details contained in this document are not to a specific scale, and are indicative and for illustration purposes only.

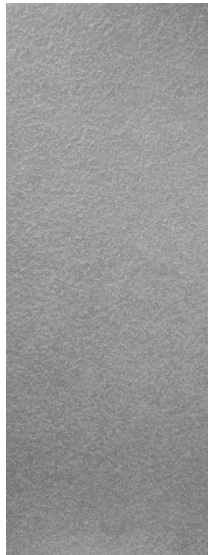
This document is protected by International copyright laws. Reproduction and distribution in whole or in part without prior written permission is strictly prohibited. EQUITONE and logos are trademarks of Etex NV or an affiliate thereof. Any use without authorisation is strictly prohibited and may violate trademark laws.

Components

Materials



EQUITONE [lines]



EQUITONE [lunara]



EQUITONE [tectiva]



EQUITONE [natura]



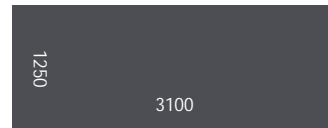
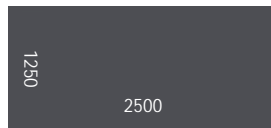
EQUITONE [pictura]

Maximum available panel sizes

EQUITONE [tectiva] 8 mm thick
EQUITONE [lines] 10 mm thick
EQUITONE [lunara] 10 mm thick



EQUITONE [natura] 8 and 12 mm thick
EQUITONE [natura] PRO 8 and 12 mm thick
EQUITONE [pictura] 8 and 12 mm thick



Panel fixings

UNI Rivet

Colour coded and available in the following materials and grades:
Stainless Steel 304 (A2)
Available with additional protective coating for C5 corrosion zone

Stainless Steel 316 (A4)

Aluminium Almg5

Available with additional protective coating for C5 corrosion zone

Notes

Stainless Steel UNI Rivets are available in two lengths to suit a range of support frame thicknesses.

4x18 K15 (standard length): Suitable for Base Metal Thickness of min. 1.1mm to 3.75mm
4x18 K20: Suitable for Base Metal Thickness of min. 3.75 to 5.75mm

Aluminium UNI Rivet is only available in one length suitable for Base Metal Thickness of 1.15mm to 2.75mm.

Each panel thickness has its own corresponding UNI rivet.

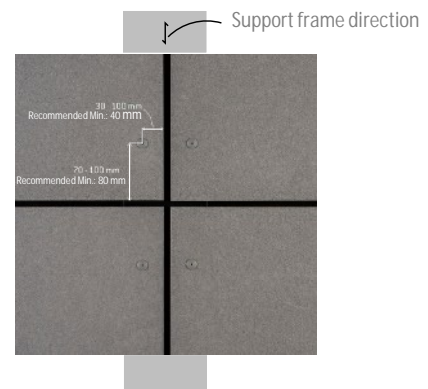
UNI Rivet system is based on GO (gliding) & STOP (fixed) point principle intelligently allowing for 3-D movement in the connection. Only two STOP points are required per panel. Refer to UNI Rivet application guide for further information.

Panel hole size is 11mm for both GO & STOP points, drilled with 11mm EQUITONE drill bit. EQUITONE UNI Rivet centralising tool must be used for drilling rivet hole in support frame.

UNI Rivet panel edge distance:

From the edge parallel to support frame: 30 – 100 mm (Recommended: 40 mm)

From the edge perpendicular to support frame: 70 – 100 mm (Recommended: 80 mm)



Components

Compressible EPDM gasket

A compressible closed-cell EPDM gasket used for sealing interfaces with flashings and the like.

12mm Tesa® 66703, 12mm Tesa® 61102, or 12mm PVC Tesa® 60106
40-48mm Tesa® 66703 (for support frame with flat face, located on vertical joints)
40-48mm Tesa® 66704 (on support frame with a recess on the face to accommodate the gasket)



Baffle

Black coated aluminium or metal baffle is used to form expressed panel horizontal joints.



Weather resistive barrier option 1

pro clima SOLITEX EXTASANA® pliable membrane

Note
pro clima SOLITEX EXTASANA® is tested and certified with EQUITONE façade systems to AS4284 for the purpose of compliance with NCC 2022 F3P1 & H2P2 to the following wind pressures calculated to AS1170.2.
Serviceability wind pressure: $\pm 2\text{KPa}$
Ultimate wind pressure: $\pm 3\text{KPa}$
pro clima SOLITEX EXTASANA® shall be applied in accordance with AS4200.2 and pro clima SOLITEX EXTASANA® installation guidelines.
There are limitations with use of pro clima SOLITEX EXTASANA® with EQUITONE [material]. Refer to EQUITONE technical team for further advice.



Weather resistive barrier option 2

Siniat WEATHER DEFENCE® rigid air barrier

Note
Siniat WEATHER DEFENCE® is tested and certified with EQUITONE façade systems to AS4284 for the purpose of compliance with NCC 2022 F3P1 & H2P2 to the following wind pressures calculated to AS1170.2.
Serviceability wind pressure: $\pm 2.5\text{KPa}$
Ultimate wind pressure: $\pm 4.5\text{KPa}$
Siniat WEATHER DEFENCE® shall be applied in accordance with Siniat WEATHER DEFENCE® installation guidelines.



Flashing tape

pro clima TESCON EXTORA®

A pressure sensitive adhesive tape for overlaps and end laps used with both weather resistive barrier options.



Sill tape

pro clima TESCON EXTOSEAL®

A flexible tape for use around window and door openings, used with both weather resistive barrier options.



Components

Sealing tape

pro clima TESCON® NAIDECK mono patch

A single-sided adhesive nail or screw sealing adhesive used with both weather resistive barrier options.



Foil tape¹

pro clima TESCON® ADHISO WS

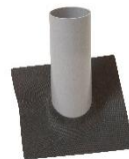
A pure aluminium tape for wet seal connections to TESCON EXTOSEAL® and EXTORA® and SOLITEX EXTASANA®.



Grommet

pro clima ROFLEX and KALFEX

pro clima ROFLEX is used to seal pipe and pro clima KALFEX for cable penetrations. pro clima ROFLEX and KALFEX are used with both weather resistive barrier options.



¹ Foil tape is optional and not required when using sealants which are compatible with TESCON EXTOSEAL® and EXTORA® and SOLITEX EXTASANA®. Check with the sealant manufacturer for compatibility with pro clima products.

Ventilation

A ventilated façade is a kind of two stage construction, an inner structure with a protective outer skin, and the cladding panel or rainscreen. A ventilated façade consists of an insulated and weathertight structure, a ventilated cavity formed with a cladding support frame and the cladding panel.

Allowance for adequate ventilation is paramount in ensuring a successful EQUITONE façade. Ventilated façades provide a number of added benefits to the building and its occupants. These may include but are not limited to the following:

- Positive contribution to energy savings
- Assists with condensation management
- Minimises thermal bridges by providing an opportunity for applying external insulation
- Reduces thermal movement of the structure and cladding support frame
- Dissipates radiant heat
- Increases acoustic performance of the external wall
- Provides an effective drainage path for any moisture passing the cladding skin
- Eliminates the need for exposed caulking and sealant, therefore reducing maintenance requirements
- Assists with keeping the weather barrier dry and healthy
- Provides opportunities for concealing external services such as downpipes within the cavity
- Proven to be a more sustainable and healthier façade construction
- Architectural design flexibility

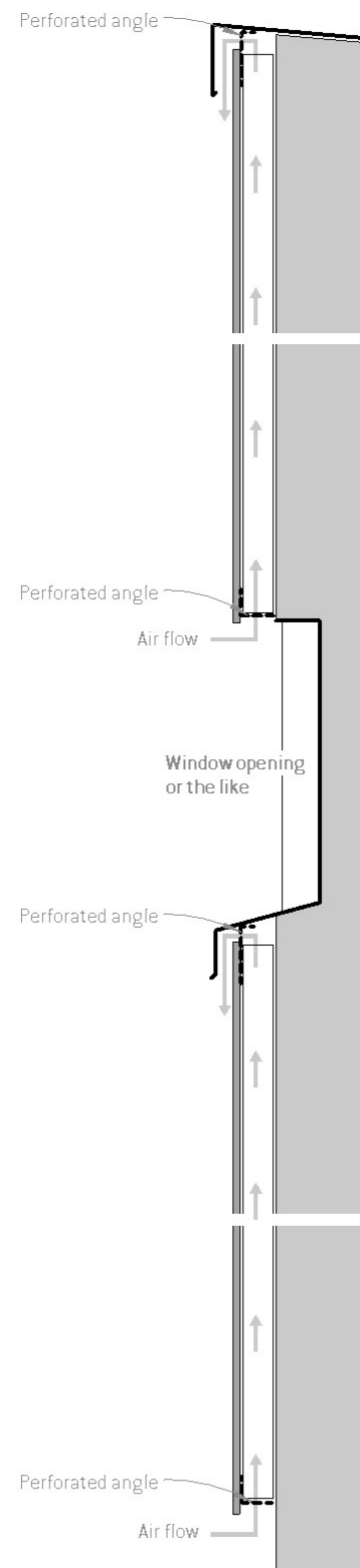
Air must be allowed to enter the cavity from bottom of the façade, window head, soffit, slab junctions, and the like, and exit from top of the façade, capping, window sill, slab and soffit interfaces, and the like.

It is recommended that all air inlets and outlets are protected against entry of birds and vermin into the cavity with a corrosion resistant perforated profile (angle).

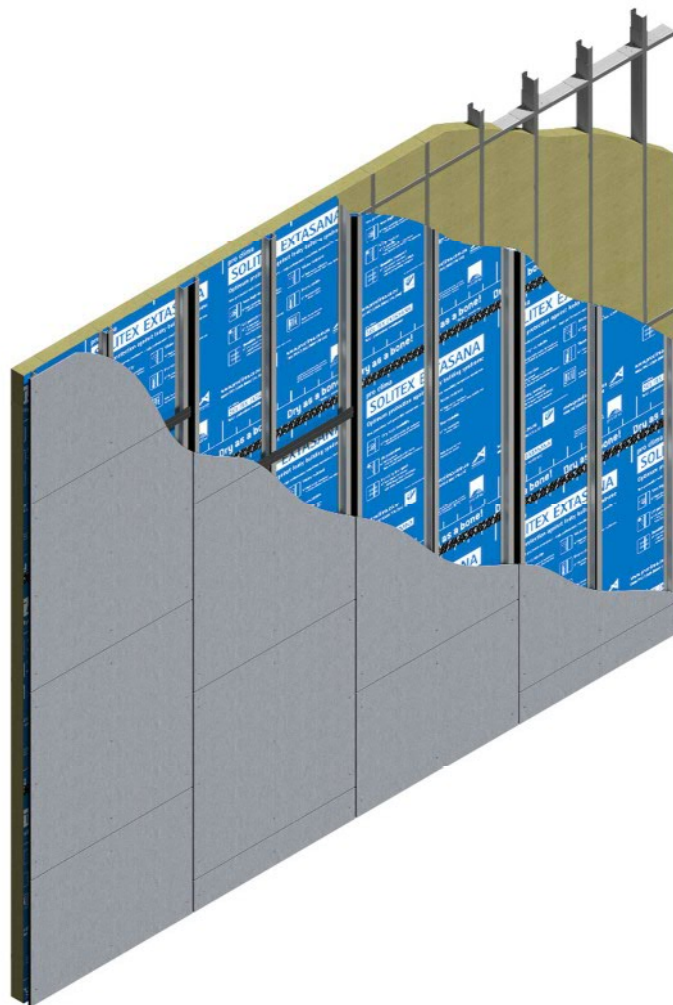
The perforated angle should be less than 0.8mm in thickness where placed between EQUITONE and the support frame, and should have a minimum 50% open area.

In bushfire prone areas (BAL zones), all air inlets and outlets as well as gaps greater than 3mm shall be covered with a perforated angle, with aperture size of no greater than 2mm as per AS3959. In these areas, all horizontal panel joints should be baffled, and the wall construction shall be in accordance with AS3959. Refer to your local EQUITONE technical team for further information in relation to the application of EQUITONE in bushfire prone areas.

For further information, refer to Design and Installation Guides.



EQUITONE system



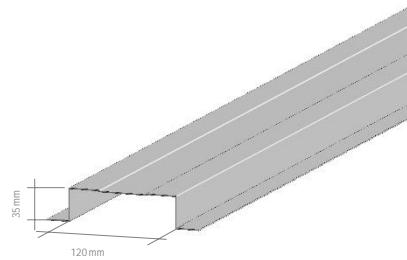
pro clima SOLITEX EXTASANA® pliable membrane

vertical top hat construction

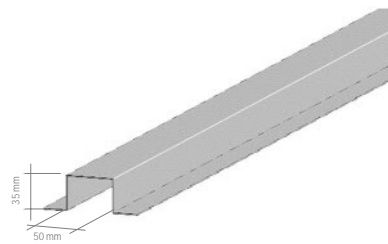
Support frame

Top hat profiles

120 x 35 mm, minimum 1.1 mm BMT



50 x 35 mm, minimum 1.1 mm BMT



Notes

Maximum deflection limit of the support frame under influence of load is $\text{Span}/250$.

Support frame and its connection to substructure shall be designed by project engineer in accordance with the relevant standards.

Refer to UNI Rivet span tables for maximum vertical and horizontal spacing of panel fixings.

Top hat shall be compliant with AS/NZS 4600:2018 – Cold-formed steel structures.

Drawings index

Detail	Figure	Page
Baffled horizontal joint	1	11
Baffled horizontal joint junction with vertical joint - Elevation	2	11
Vertical joint - Detail 1	3	11
Vertical joint - Detail 2	4	12
Vertical joint - Detail 3	5	12
Intermediate panel fixings connection	6	12
Horizontal control joint	7	13
EPDM gasket support over control joint or the like	8	13
Vertical control joint	9	13
Flush window - Head and sill	10	14
Flush window - Jamb	11	14
Recessed window - Head and sill	12	14
Recessed window - Jamb	13	14
Meter box - Section	14	15
Meter box - Plan view - Detail 1	15	15
Meter box - Plan view - Detail 2	16	15
Isometric view of window/meter box opening - Tape application	17	16
Soffit junction	18	16
Base detail	19	17
Base detail - Covered area	20	17
Base detail - Balcony	21	17
Exposed slab junction - Cladding flush	22	18
Exposed slab junction - Cladding recessed	23	18
External corner - Detail 1	24	19
External corner - Detail 2	25	19
Internal corner	26	20
Abutment	27	20
Pipe penetration - Plan view	28	21
Pipe penetration - Elevation	29	21
Pipe penetration - Section	30	21
Capping - Detail 1	31	22
Capping - Detail 2	32	22
Parapet junction - Section	33	22
Parapet junction - Plan view	34	23
Corrosion resistant saddle flashing	35	23

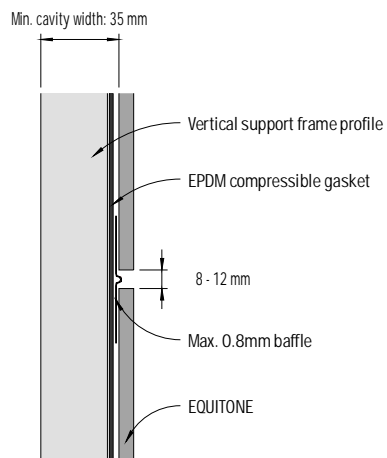


Figure 1: Baffled horizontal joint

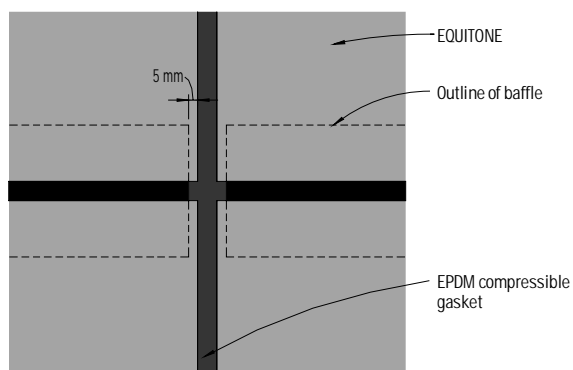


Figure 2: Baffled horizontal joint junction with vertical joint - Elevation

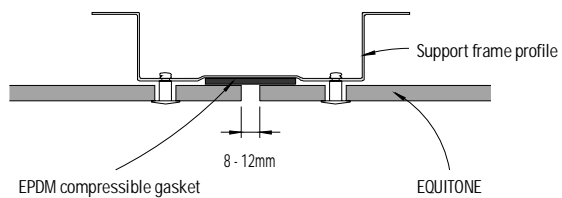


Figure 3: Vertical joint - Detail 1

Notes

- 1) The length of support frame profiles must NOT exceed 3,150mm.
- 2) For EQUITONE [material] refer to EQUITONE construction details with Siniat WEATHER DEFENCE.

Intermediate (narrow) EPDM compressible gasket may be applied as shown in dashed line, replacing the wide one, where the metal strip behind is of desired colour

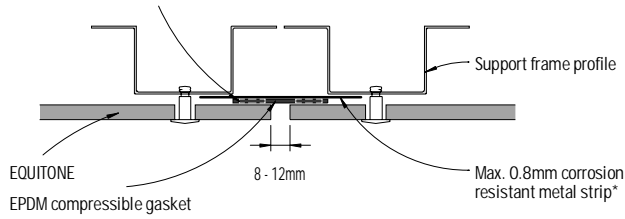


Figure 4: Vertical joint - Detail 2

Intermediate (narrow) EPDM compressible gasket may be applied as shown in dashed line, replacing the wide one, where the metal strip behind is of desired colour

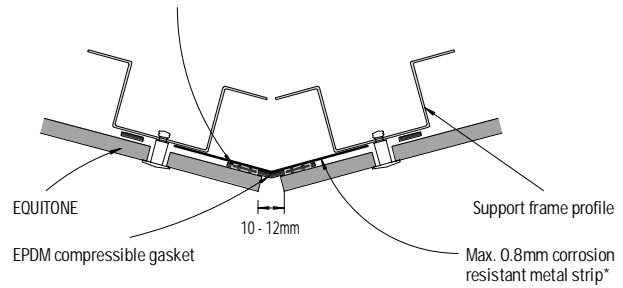


Figure 5: Vertical joint - Detail 3

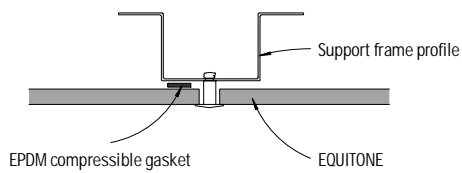


Figure 6: Intermediate panel fixings connection

Notes

- 1) In Figure 4 & 5, the metal strip should be fixed ONLY to one of the support frame profiles (either left or right) where allowance for horizontal and/or vertical movement of the cladding frame is required.
- 2) EPDM compressible gasket strip is applied away from the panel hole, and usually to one side of the support frame profile as shown in Figure 6.
- 3) For EQUITONE [material] refer to EQUITONE construction details with Siniat WEATHER DEFENCE.

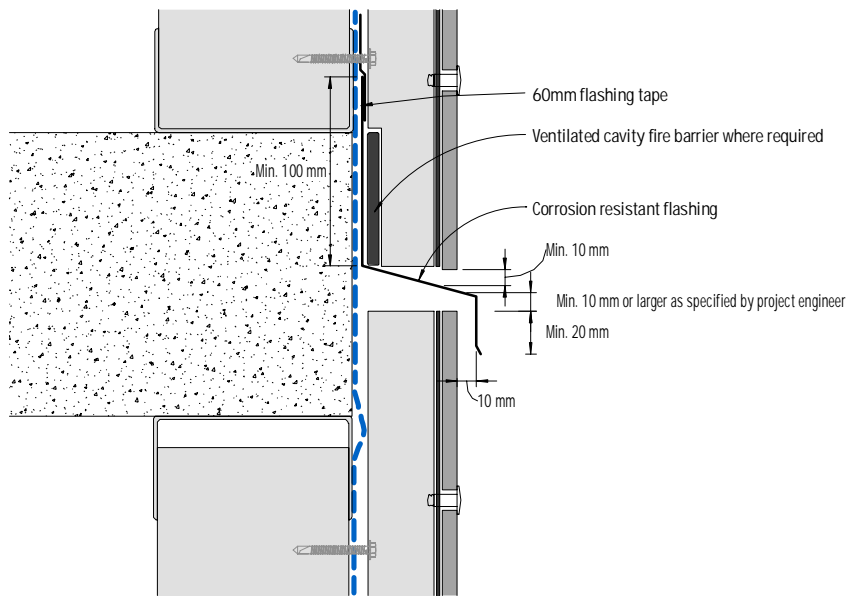


Figure 7: Horizontal control joint

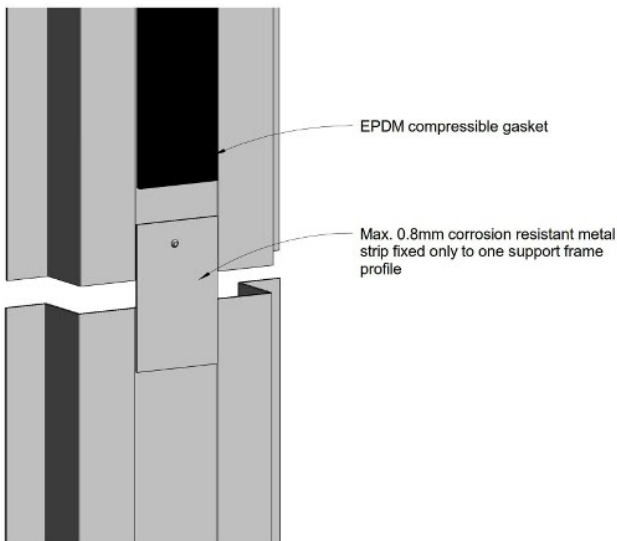


Figure 8: EPDM gasket support over control joint or the like

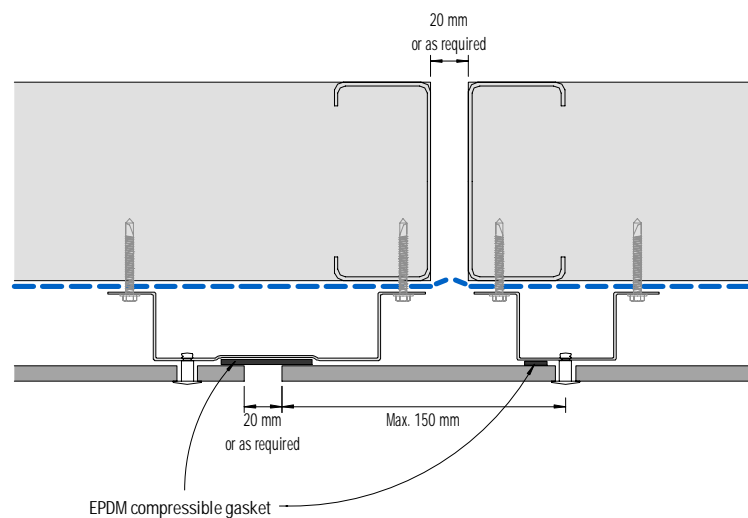


Figure 9: Vertical control joint

Notes

- 1) Support frame profiles must NOT be fixed crossing over a control joint nor to a deflection head.
- 2) Allowance for movement at the location of any control joint must be made in the cladding and its support frame design and installation. Panel must NOT be fixed bridging over any control joint.
- 3) For EQUITONE [material] refer to EQUITONE construction details with Siniat WEATHER DEFENCE.

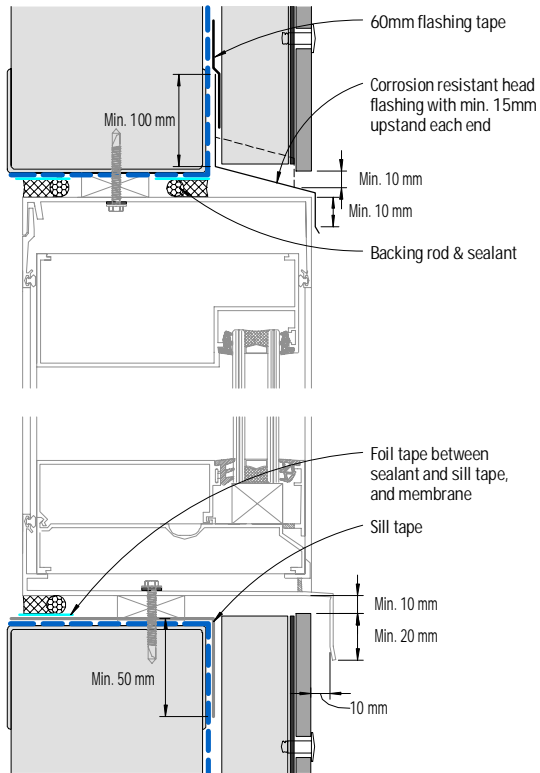


Figure 10: Flush window - Head and sill

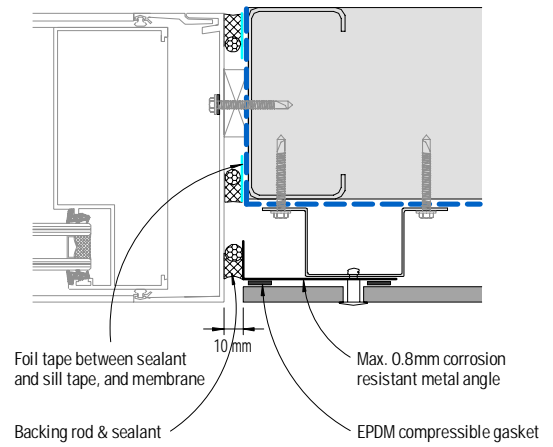


Figure 11: Flush window - Jamb

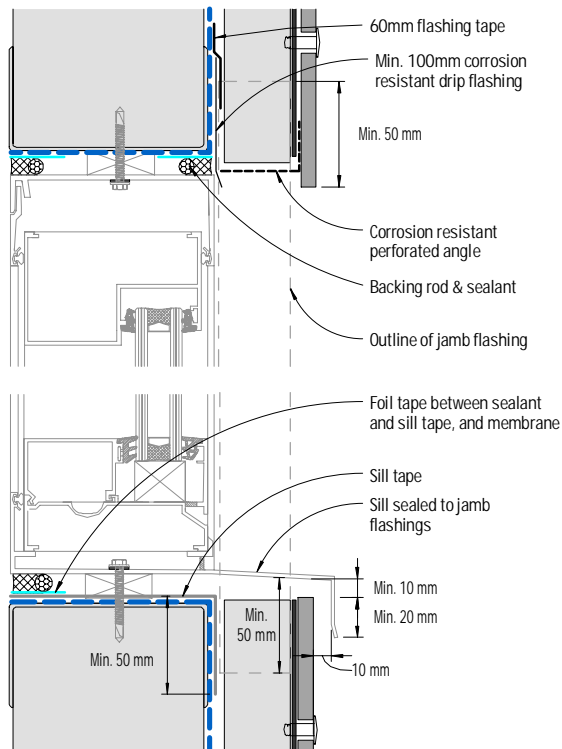


Figure 12: Recessed window - Head and sill

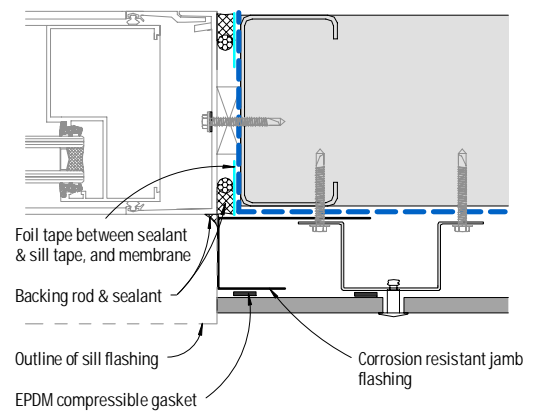


Figure 13: Recessed window - Jamb

Notes

- 1) ONLY sealant compatible with the foil tape should be used. Should any sealant be intended to be used directly on the flashing and/or sill tape, or membrane it must be confirmed with its manufacturer to ensure compatibility with these tapes in accordance with the relevant standards.
- 2) For EQUITONE [materia] refer to EQUITONE construction details with Siniat WEATHER DEFENCE.

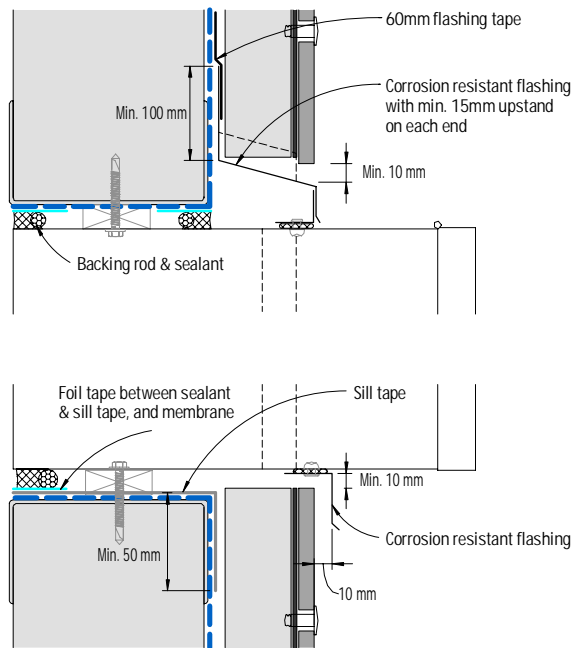


Figure 14: Meter box - Section

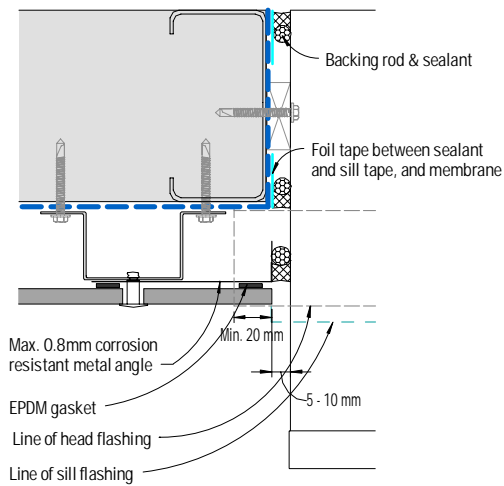


Figure 15: Meter box - Plan view - Detail 1

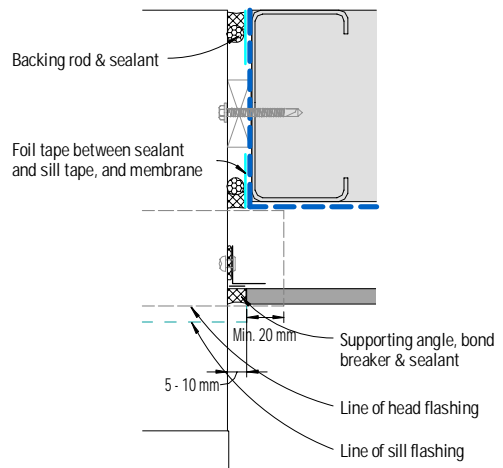


Figure 16: Meter box - Plan view - Detail 2

Notes

- 1) ONLY sealant compatible with the foil tape should be used. Should any sealant be intended to be used directly on the flashing and/or sill tape, or membrane it must be confirmed with its manufacturer to ensure compatibility with these tapes in accordance with the relevant standards.
- 2) For EQUITONE [materia] refer to EQUITONE construction details with Siniat WEATHER DEFENCE.

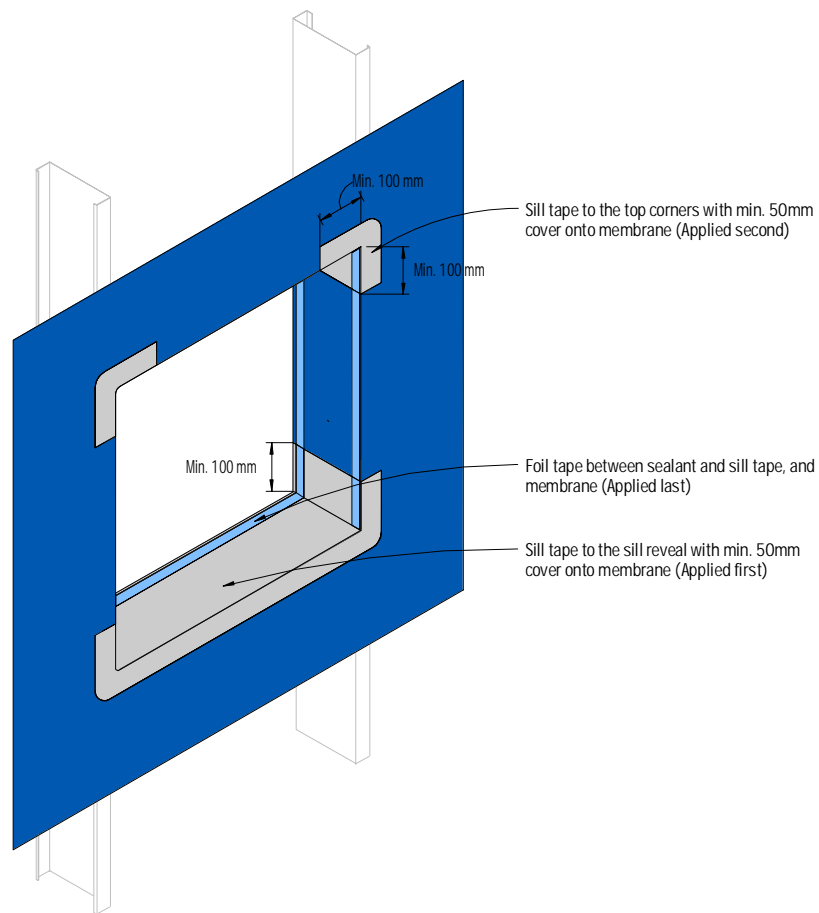


Figure 17: Isometric view of window/meter box opening - Tape application

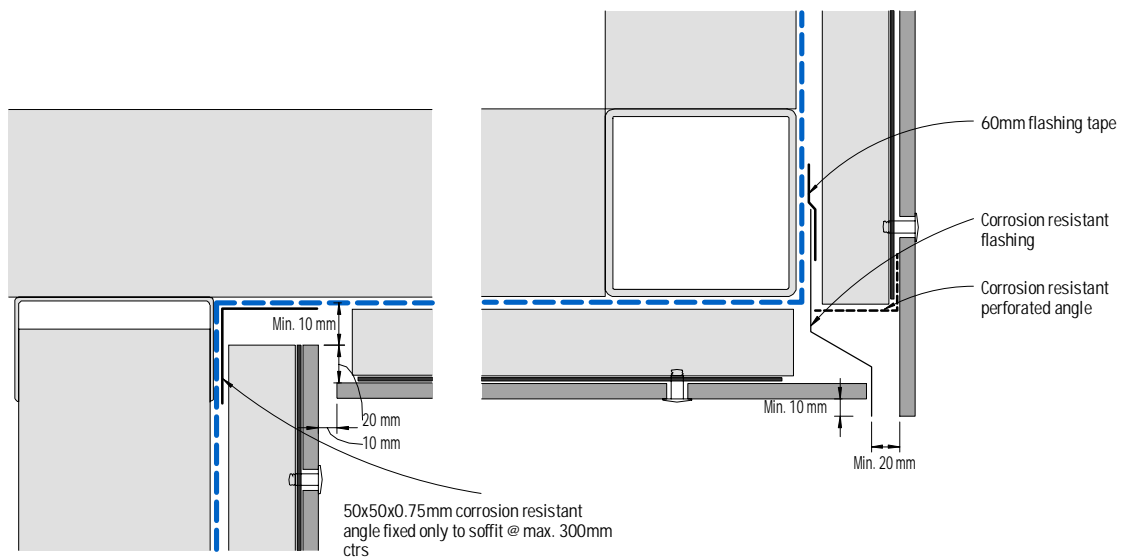


Figure 18: Soffit junction

Notes

- 1) ONLY sealant compatible with the foil tape should be used. Should any sealant be intended to be used directly on the flashing and/or sill tape, or membrane it must be confirmed with its manufacturer to ensure compatibility with these tapes in accordance with the relevant standards.
- 2) Support frame profiles must NOT be fixed crossing over a control joint nor to a deflection head.
- 3) For EQUITONE [material] refer to EQUITONE construction details with Siniat WEATHER DEFENCE.
- 4) Corrosion resistant perforated angle shall be of similar metal as that of the support frame (or of adequate protective coating) to prevent bimetallic corrosion, be of max. thickness of 0.8mm where located between panel and support frame, and be of min. 50% open area.

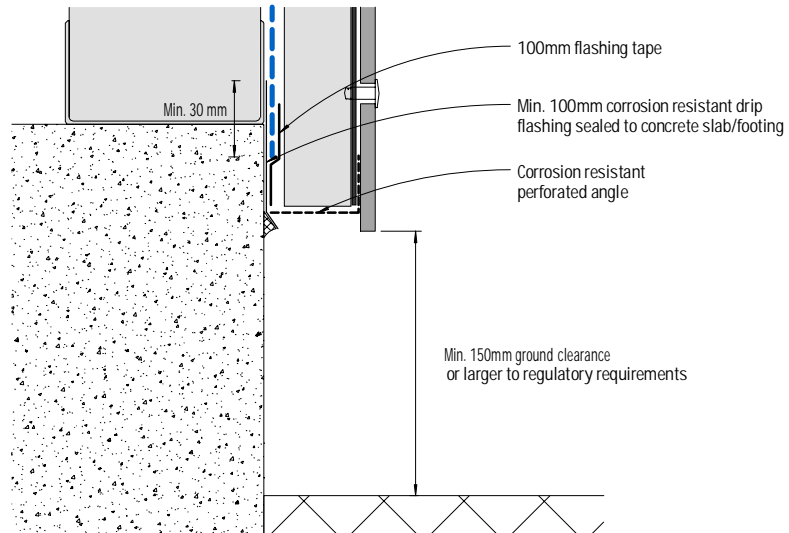


Figure 19: Base detail

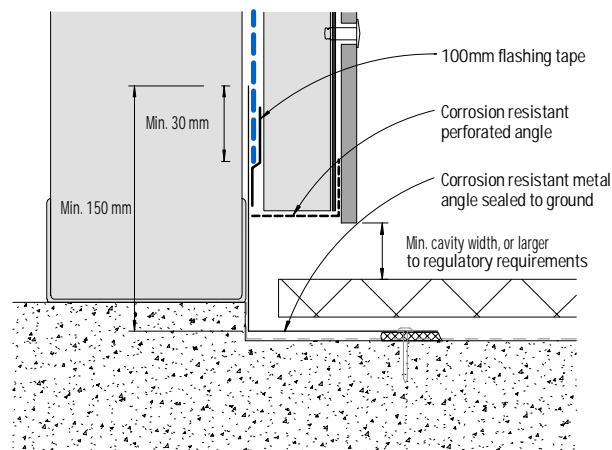


Figure 20: Base detail - Covered area

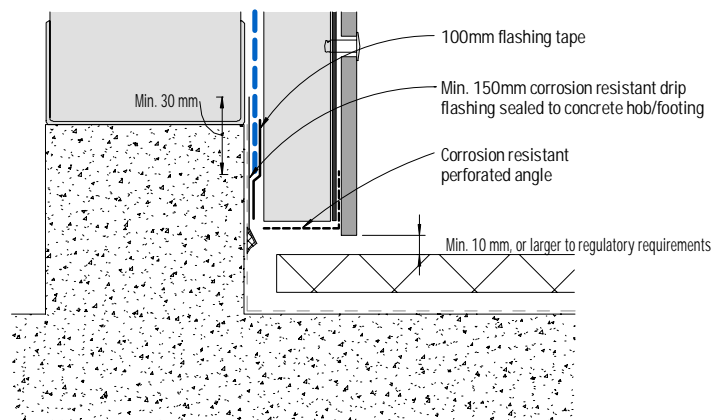


Figure 21: Base detail - Balcony

Notes

- 1) For EQUITONE [material] refer to EQUITONE construction details with Siniat WEATHER DEFENCE.
- 2) Corrosion resistant perforated angle shall be of similar metal as that of the support frame (or of adequate protective coating) to prevent bimetallic corrosion, be of max. thickness of 0.8mm where located between panel and support frame, and be of min. 50% open area.

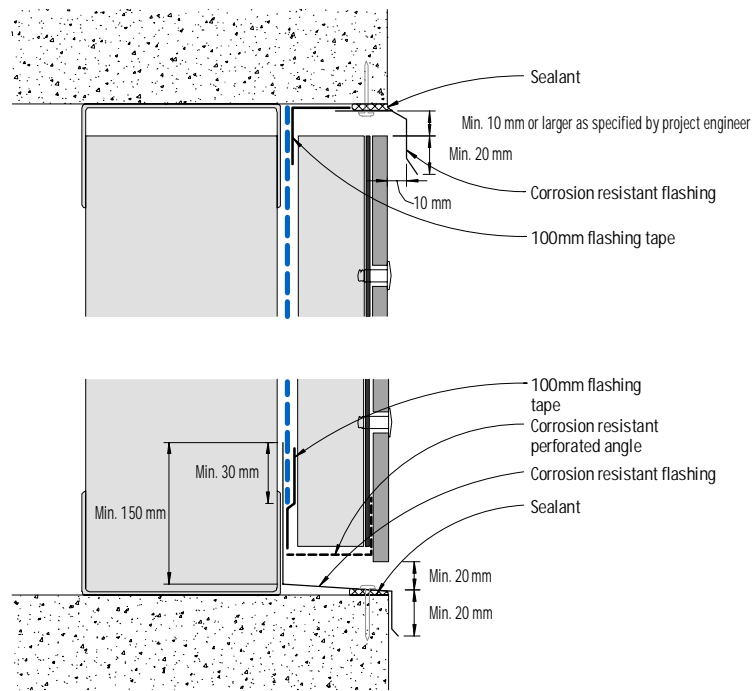


Figure 22: Exposed slab junction - Cladding flush

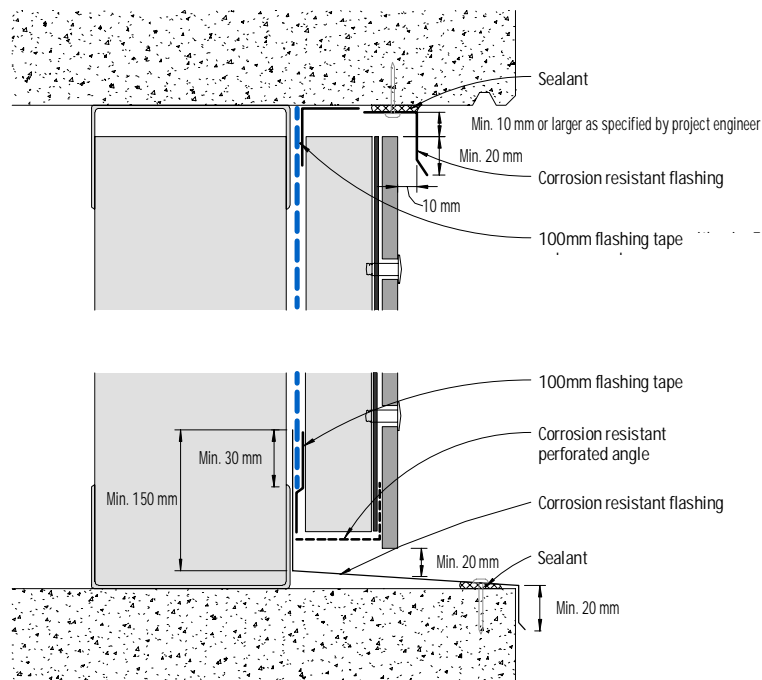


Figure 23: Exposed slab junction - Cladding recessed

Notes

- 1) Refer to Pro Clima's flashing tape application guide for any pre-treatment required on concrete or masonry for the application of the flashing tape onto these substrates.
- 2) Support frame profiles must NOT be fixed crossing over a control joint nor to a deflection head.
- 3) For EQUITONE [materia] refer to EQUITONE construction details with Siniat WEATHER DEFENCE.
- 4) Corrosion resistant perforated angle shall be of similar metal as that of the support frame (or of adequate protective coating) to prevent bimetallic corrosion, be of max. thickness of 0.8mm where located between panel and support frame, and be of min. 50% open area.

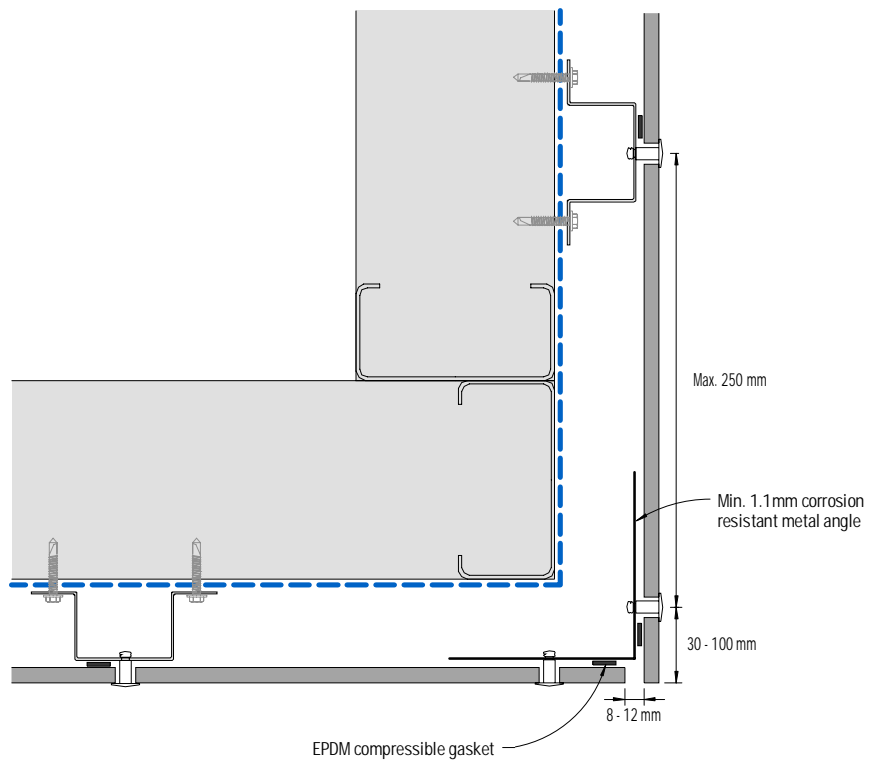


Figure 24: External corner - Detail 1

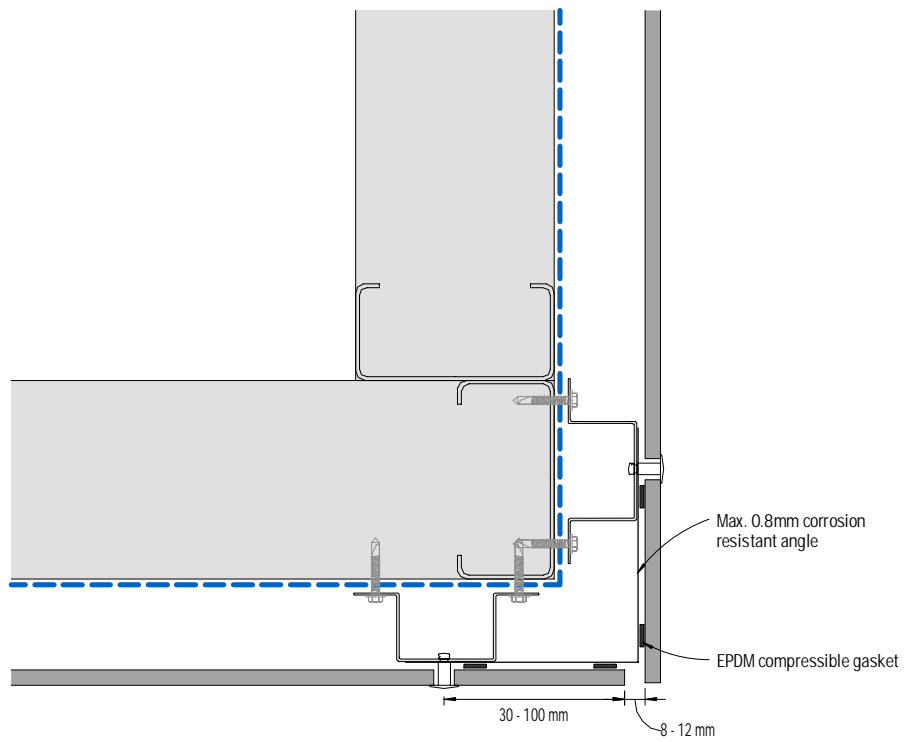


Figure 25: External corner - Detail 2

Note
 For EQUITONE [material] refer to EQUITONE construction details with Siniat WEATHER DEFENCE.

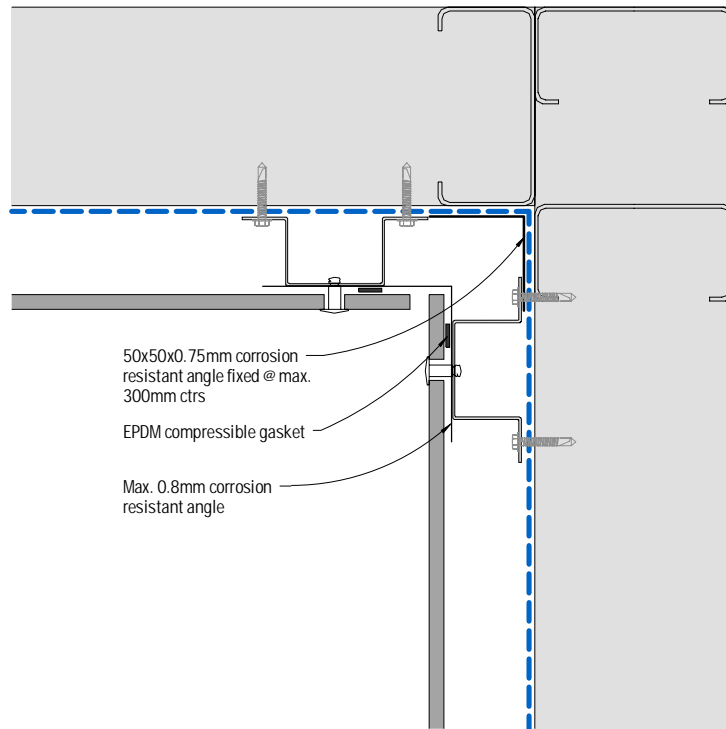


Figure 26: Internal corner

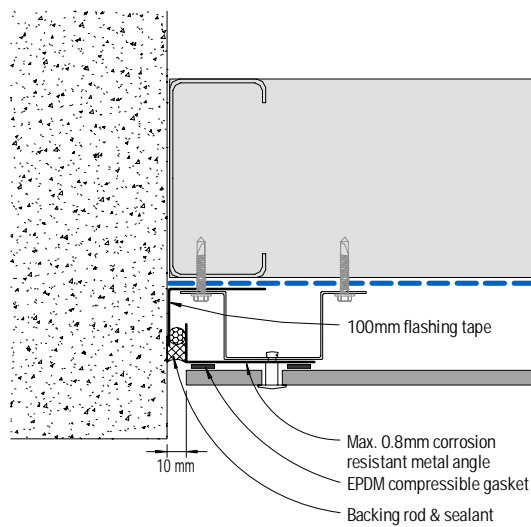


Figure 27: Abutment

Note
For EQUITONE [material] refer to EQUITONE construction details with Siniat WEATHER DEFENCE.

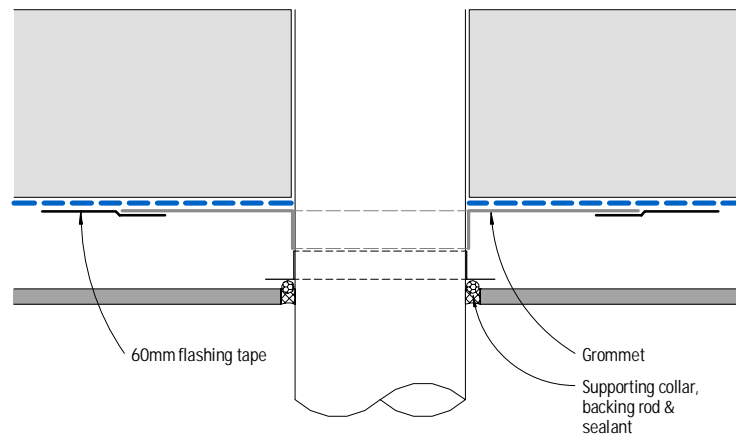


Figure 28: Pipe penetration - Plan view

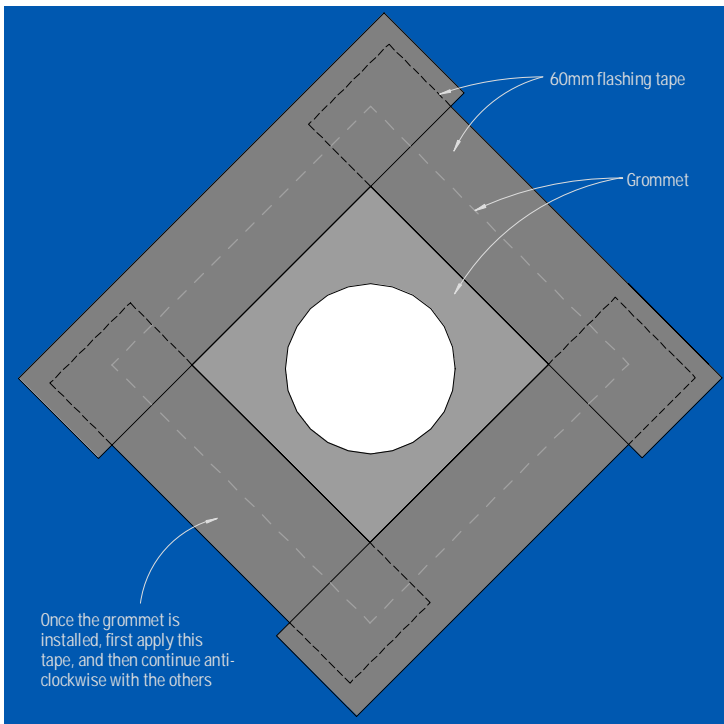


Figure 29: Pipe penetration - Elevation

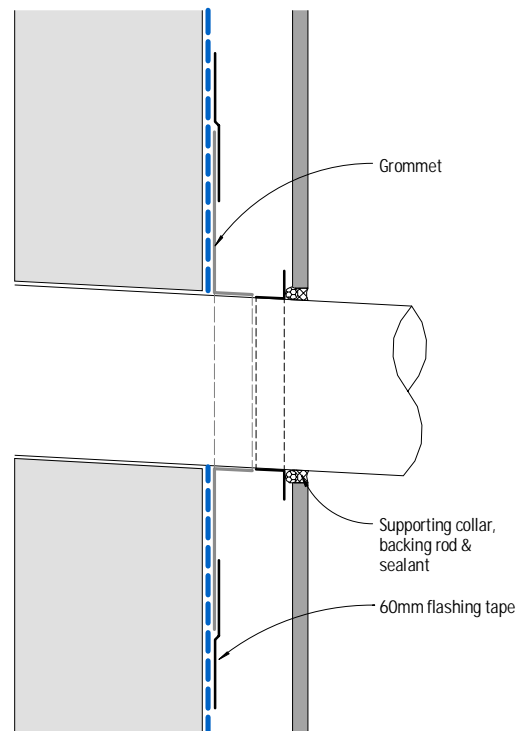


Figure 30: Pipe penetration - Section

Note
For EQUITONE [material] refer to EQUITONE construction details with Siniat WEATHER DEFENCE.

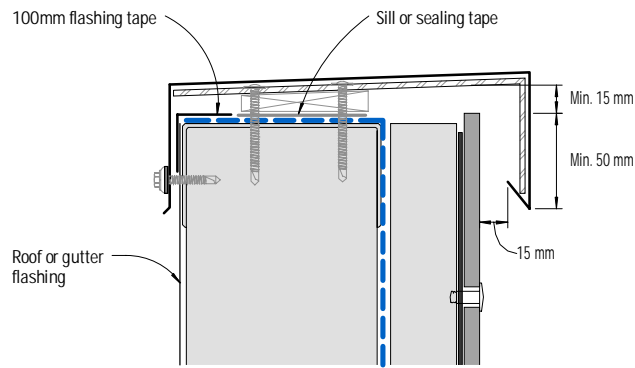


Figure 31: Capping - Detail 1

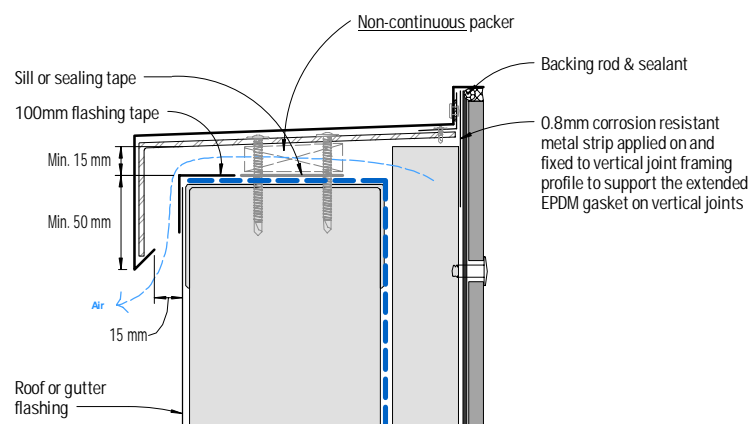


Figure 32: Capping - Detail 2

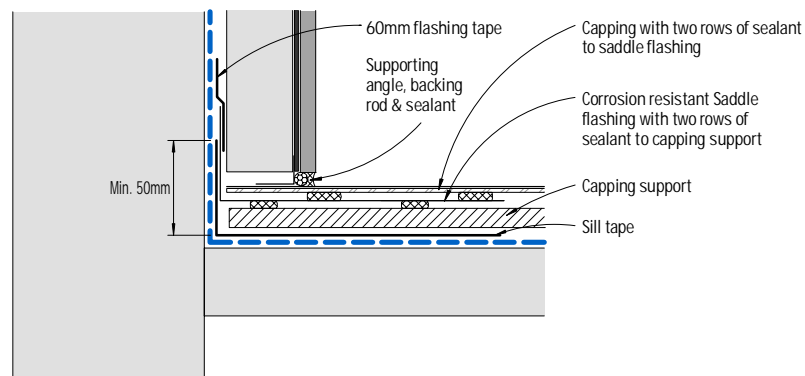


Figure 33: Parapet junction - Section

Notes

- 1) Capping detail '2' will involve further maintenance requirement in order to maintain the seal at the interface with the panel. Any deterioration of the sealant may result in panel staining, and will compromise the weatherproofing performance. Use UV stable and resistant external grade sealant.
- 2) For EQUITONE [material] refer to EQUITONE construction details with Siniat WEATHER DEFENCE.

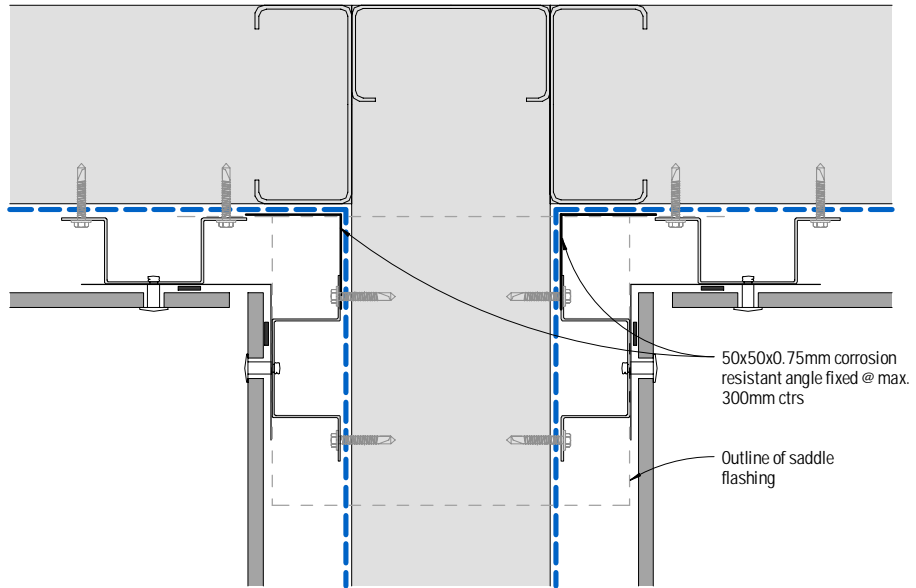


Figure 34: Parapet junction - Plan view

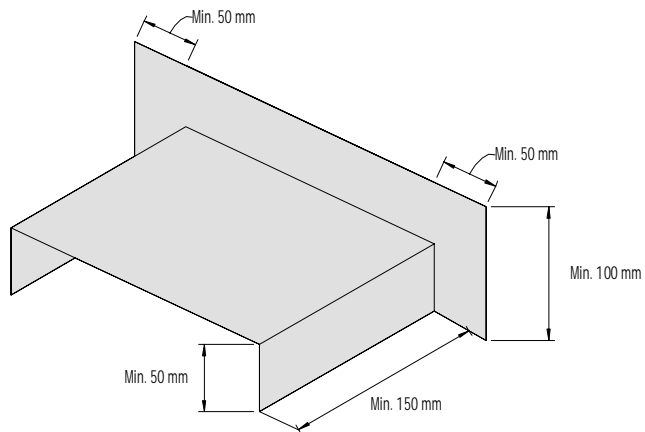
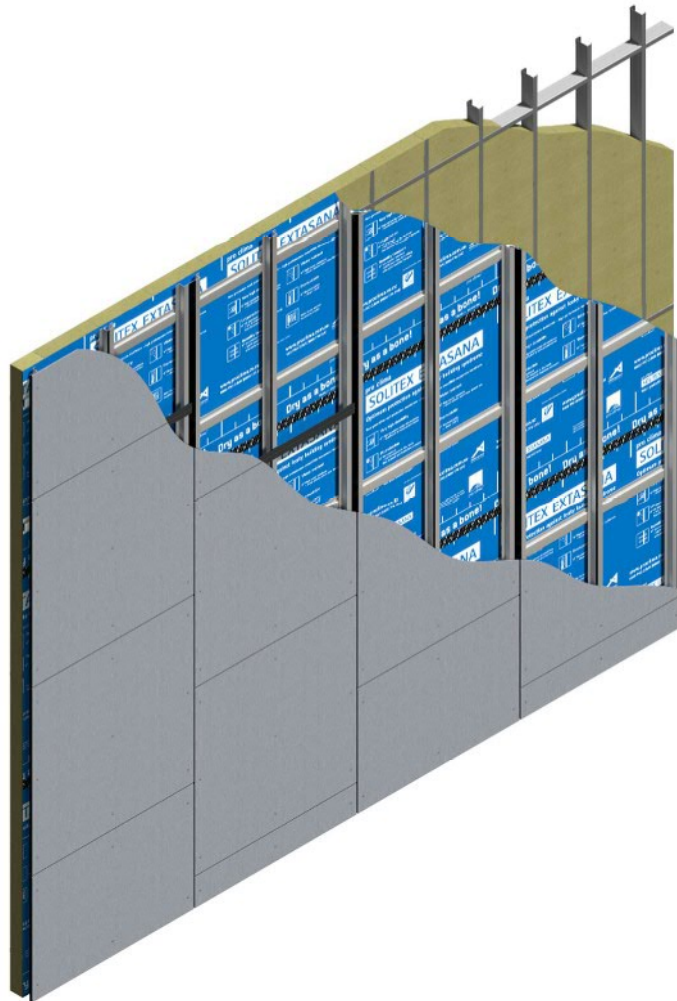


Figure 35: Corrosion resistant saddle flashing

Note
 For EQUITONE [material] refer to EQUITONE construction details with Siniat WEATHER DEFENCE.

EQUITONE system



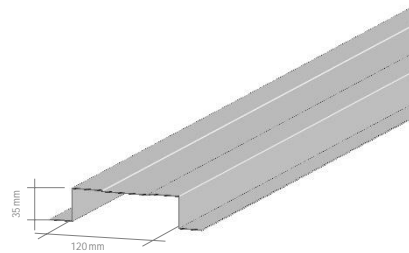
pro clima SOLITEX EXTASANA® pliable membrane

double layer top hat construction

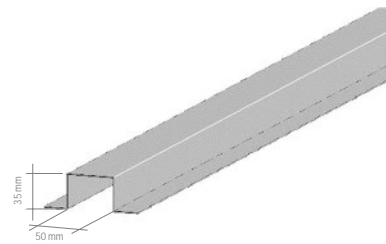
Support frame

Top hat profiles

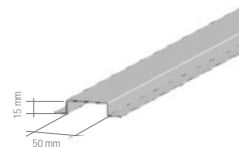
120 x 35 mm, minimum 1.1mm BMT



50 x 35 mm, minimum 1.1mm BMT



50 x 15 mm, minimum 1.1mm BMT



Notes

Maximum deflection limit of the support frame under influence of load is $\text{Span}/250$.

Support frame and its connection to substructure shall be designed by project engineer in accordance with the relevant standards.

Refer to UNI Rivet span tables for maximum vertical and horizontal spacing of panel fixings.

Top hat shall be compliant with AS/NZS 4600:2018 – Cold-formed steel structures.

Drawings index

Detail	Figure	Page
Baffled horizontal joint	1	27
Baffled horizontal joint junction with vertical joint - Elevation	2	27
Vertical joint - Detail 1	3	27
Vertical joint - Detail 2	4	28
Vertical joint - Detail 3	5	28
Intermediate panel fixings connection	6	28
Horizontal control joint	7	29
EPDM gasket support over control joint or the like	8	29
Vertical control joint	9	29
Flush window - Head and sill	10	30
Flush window - Jamb	11	30
Recessed window - Head and sill	12	30
Recessed window - Jamb	13	30
Meter box - Section	14	31
Meter box - Plan view - Detail 1	15	31
Meter box - Plan view - Detail 2	16	31
Isometric view of window/meter box opening - Tape application	17	32
Soffit junction	18	32
Base detail	19	33
Base detail - Covered area	20	33
Base detail - Balcony	21	33
Exposed slab junction - Cladding flush	22	34
Exposed slab junction - Cladding recessed	23	34
External corner - Detail 1	24	35
External corner - Detail 2	25	35
Internal corner	26	36
Abutment	27	36
Pipe penetration - Plan view	28	37
Pipe penetration - Elevation	29	37
Pipe penetration - Section	30	37
Capping - Detail 1	31	38
Capping - Detail 2	32	38
Parapet junction - Section	33	38
Parapet junction - Plan view	34	39
Corrosion resistant saddle flashing	35	39

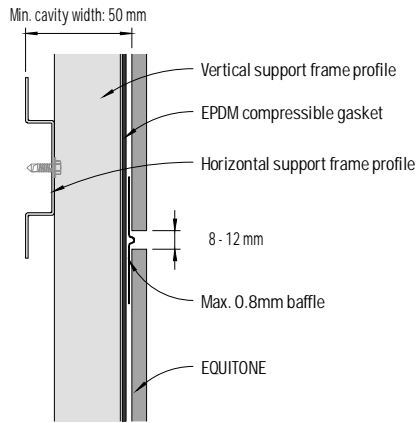


Figure 1: Baffled horizontal joint

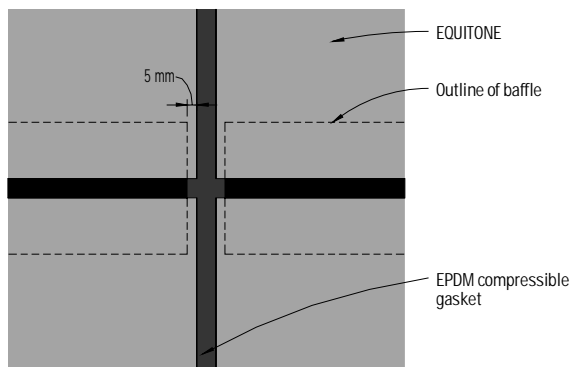


Figure 2: Baffled horizontal joint junction with vertical joint - Elevation

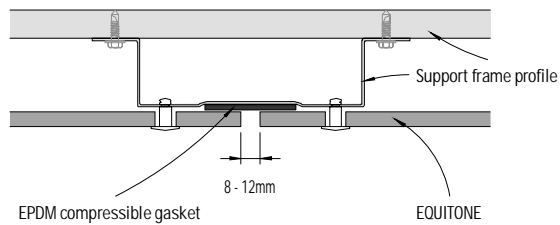


Figure 3: Vertical joint - Detail 1

Notes

- 1) The length of support frame profiles must NOT exceed 3,150mm.
- 2) For connecting vertical profile to the horizontal one use a screw that does not penetrate the weather barrier to prevent unnecessary penetrations through the weather barrier.
- 3) For EQUITONE [material] refer to EQUITONE construction details with Siniat WEATHER DEFENCE.

Intermediate (narrow) EPDM compressible gasket may be applied as shown in dashed line, replacing the wide one, where the metal strip behind is of desired colour

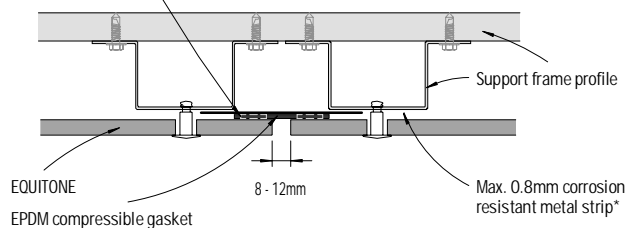


Figure 4: Vertical joint - Detail 2

Intermediate (narrow) EPDM compressible gasket may be applied as shown in dashed line, replacing the wide one, where the metal strip behind is of desired colour

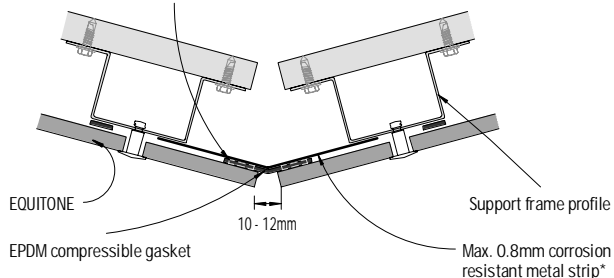


Figure 5: Vertical joint - Detail 3

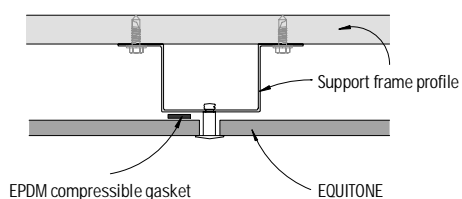


Figure 6: Intermediate panel fixings connection

Notes

- 1) In Figure 4 & 5, the metal strip should be fixed ONLY to one of the support frame profiles (either left or right) where allowance for horizontal and/or vertical movement of the cladding frame is required.
- 2) EPDM compressible gasket strip is applied away from the panel hole, and usually to one side of the support frame profile as shown in Figure 6.
- 3) For EQUITONE [material] refer to EQUITONE construction details with Siniat WEATHER DEFENCE.

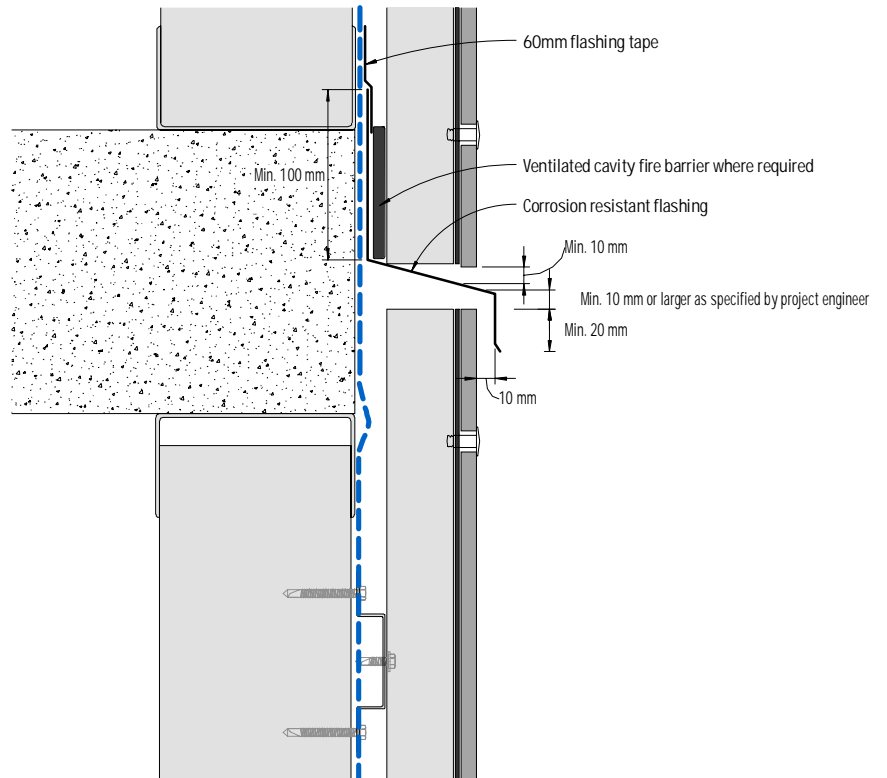


Figure 7: Horizontal control joint

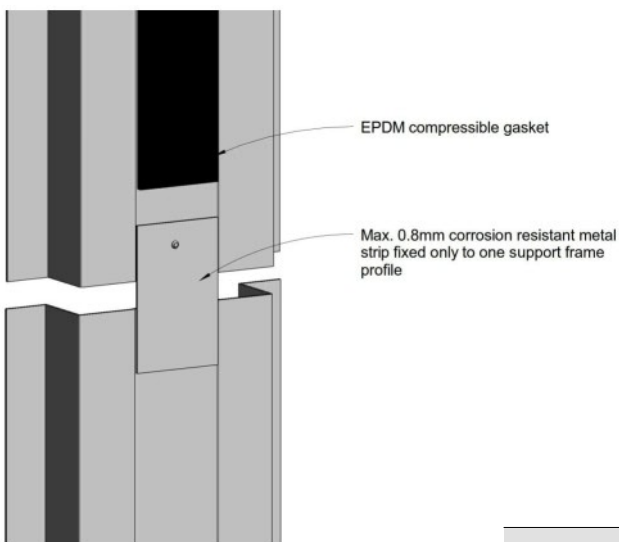


Figure 8: EPDM gasket support over control joint or the like

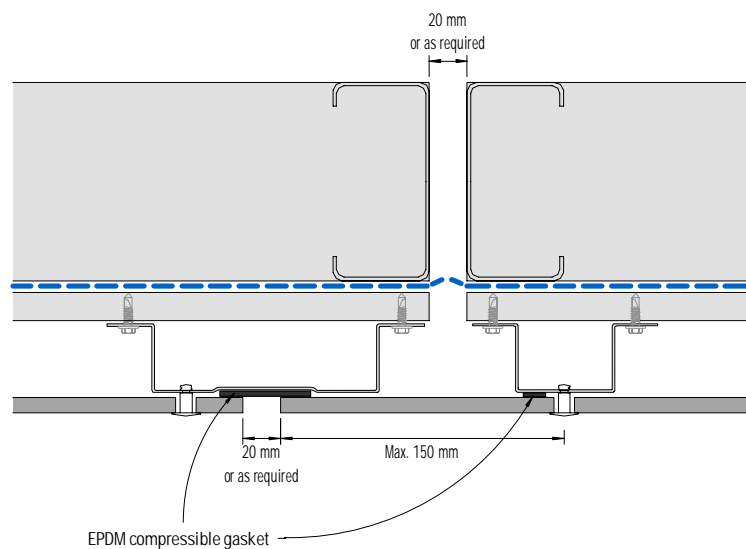


Figure 9: Vertical control joint

Notes

- 1) Support frame profiles must NOT be fixed crossing over a control joint nor to a deflection head.
- 2) Allowance for movement at the location of any control joint must be made in the cladding and its support frame design and installation. Panel must NOT be fixed bridging over any control joint.
- 3) For EQUITONE [material] refer to EQUITONE construction details with Siniat WEATHER DEFENCE.

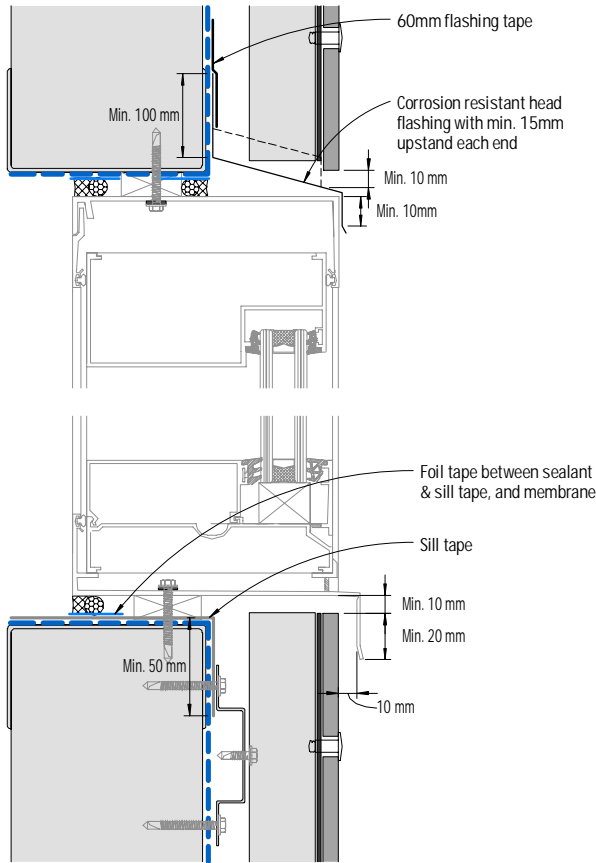


Figure 10: Flush window - Head and sill

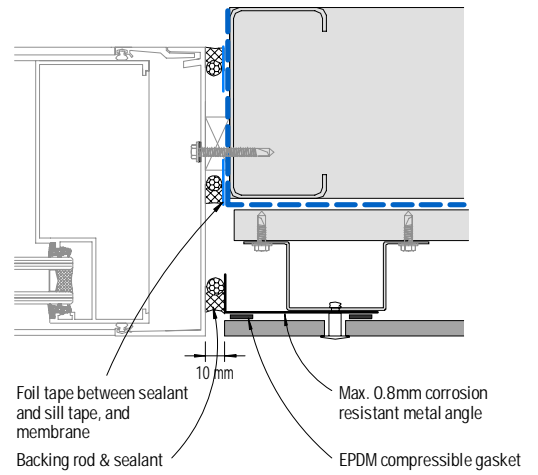


Figure 11: Flush window - Jamb

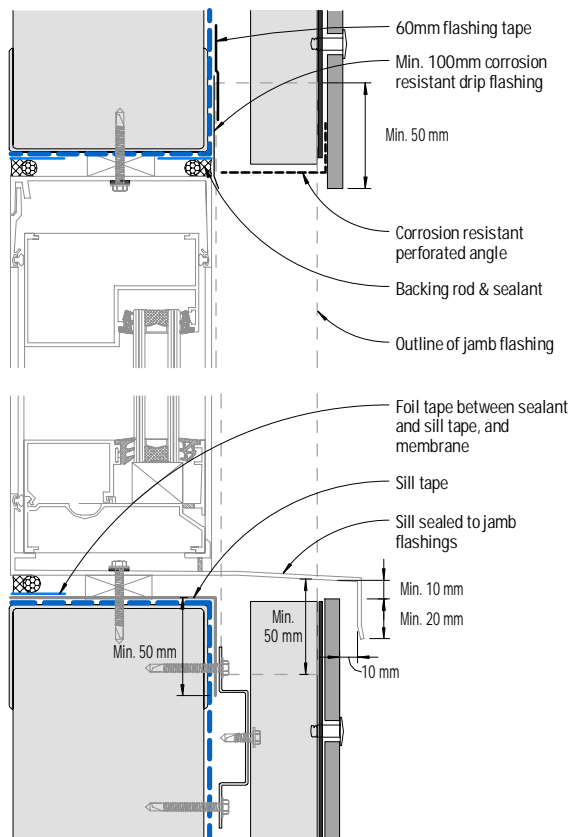


Figure 12: Recessed window - Head and sill

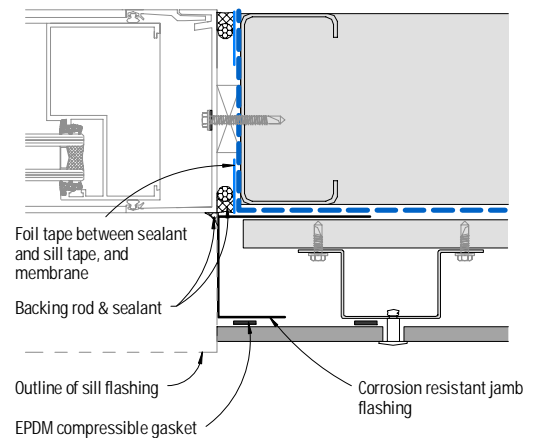


Figure 13: Recessed window - Jamb

Notes

- 1) ONLY sealant compatible with the foil tape should be used. Should any sealant be intended to be used directly on the flashing and/or sill tape, or membrane it must be confirmed with its manufacturer to ensure compatibility with these tapes in accordance with the relevant standards.
- 2) For EQUITONE [material] refer to EQUITONE construction details with Siniat WEATHER DEFENCE.

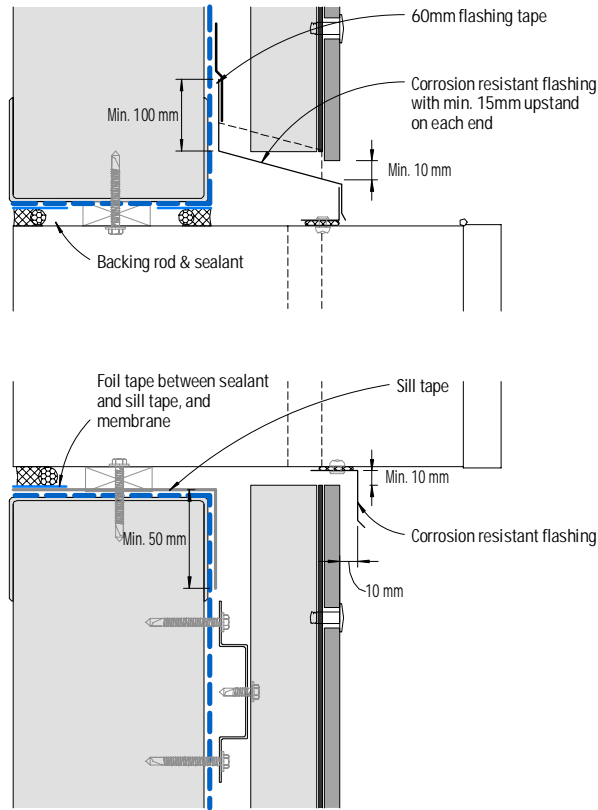


Figure 14: Meter box - Section

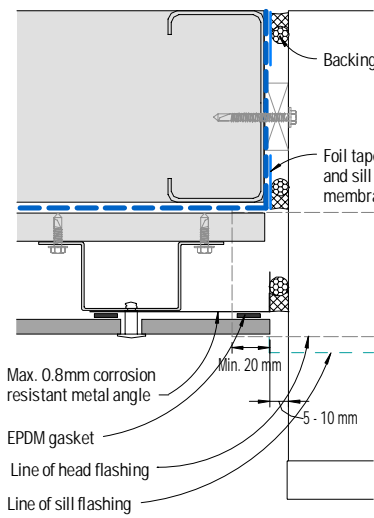


Figure 15: Meter box - Plan view - Detail 1

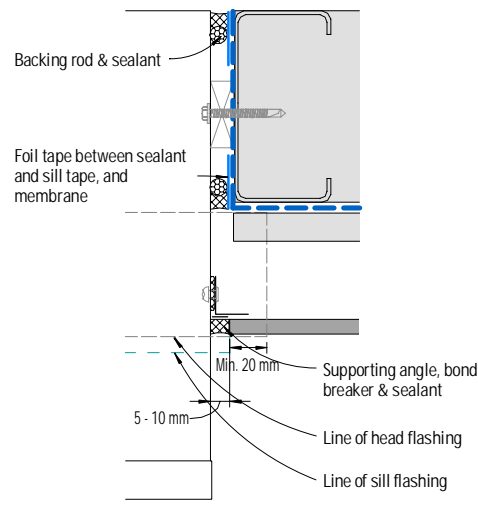


Figure 16: Meter box - Plan view - Detail 2

Notes

- 1) ONLY sealant compatible with the foil tape should be used. Should any sealant be intended to be used directly on the flashing and/or sill tape, or membrane it must be confirmed with its manufacturer to ensure compatibility with these tapes in accordance with the relevant standards.
- 2) For EQUITONE [materia] refer to EQUITONE construction details with Siniat WEATHER DEFENCE.

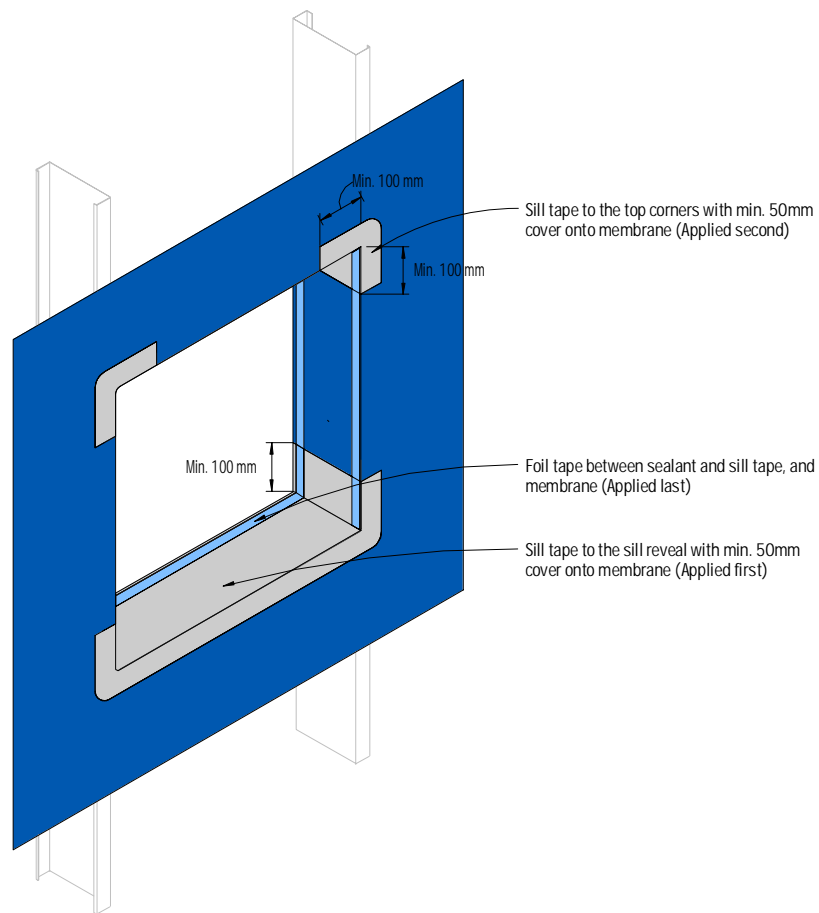


Figure 17: Isometric view of window/meter box opening - Tape application

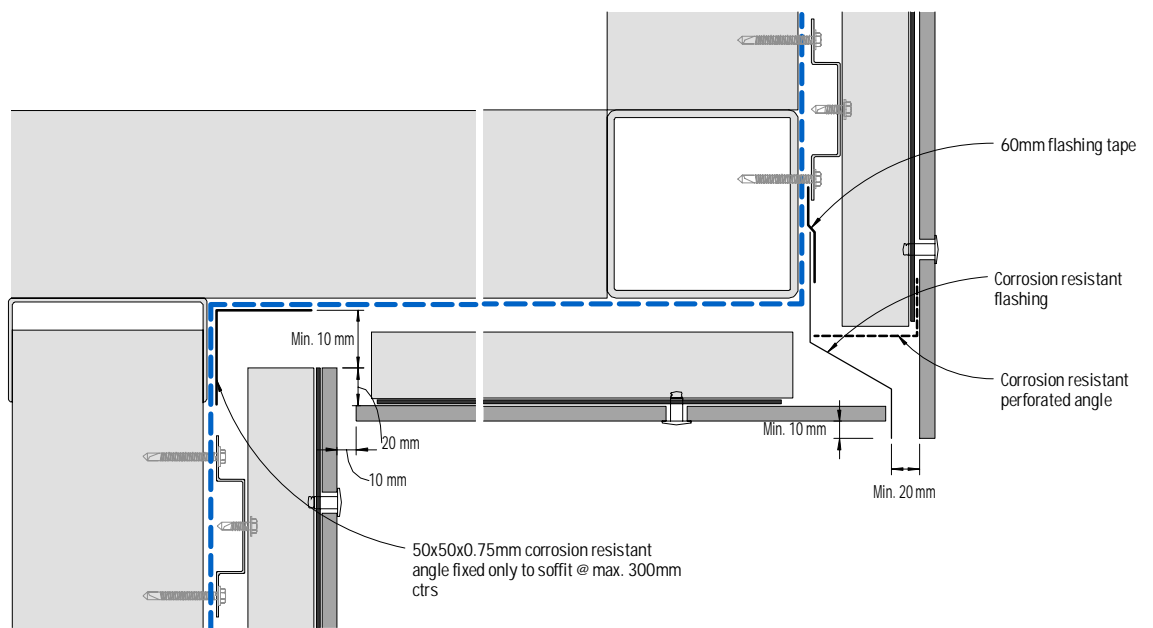


Figure 18: Soffit junction

Notes

- 1) ONLY sealant compatible with the foil tape should be used. Should any sealant be intended to be used directly on the flashing and/or sill tape, or membrane it must be confirmed with its manufacturer to ensure compatibility with these tapes in accordance with the relevant standards.
- 2) Support frame profiles must NOT be fixed crossing over a control joint nor to a deflection head.
- 3) For EQUITONE [material] refer to EQUITONE construction details with Siniat WEATHER DEFENCE.
- 4) Corrosion resistant perforated angle shall be of similar metal as that of the support frame (or of adequate protective coating) to prevent bimetallic corrosion, be of max. thickness of 0.8mm where located between panel and support frame, and be of min. 50% open area.

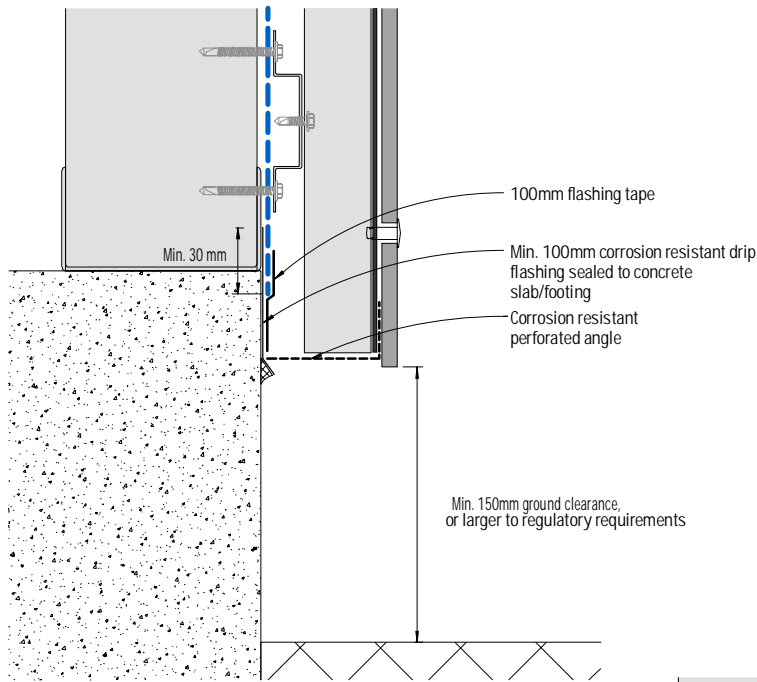


Figure 19: Base detail

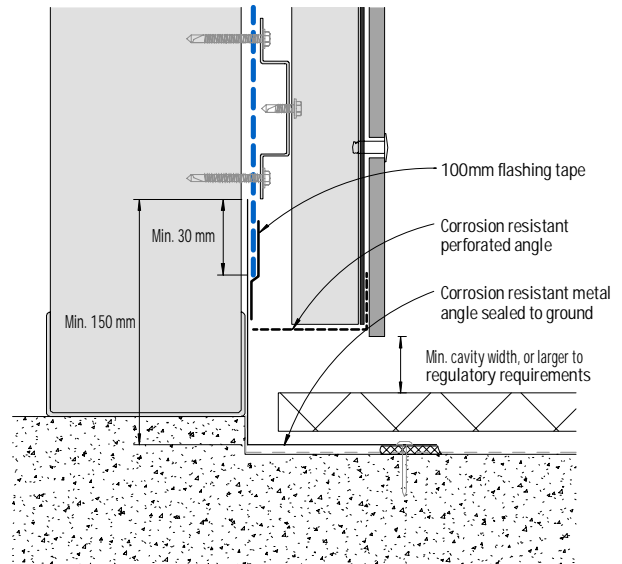


Figure 20: Base detail - Covered area

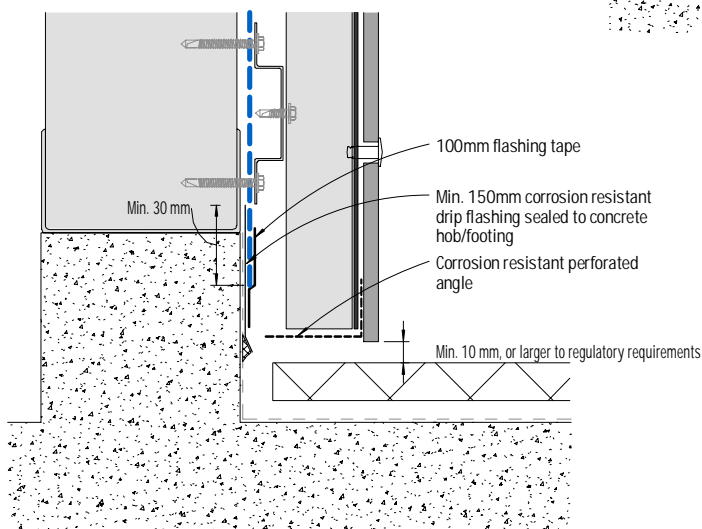


Figure 21: Base detail - Balcony

Notes

- 1) For EQUITONE [material] refer to EQUITONE construction details with Siniat WEATHER DEFENCE.
- 2) Corrosion resistant perforated angle shall be of similar metal as that of the support frame (or of adequate protective coating) to prevent bimetallic corrosion, be of max. thickness of 0.8mm where located between panel and support frame, and be of min. 50% open area.
- 3) Corrosion resistant perforated angle shall be of similar metal as that of the support frame (or of adequate protective coating) to prevent bimetallic corrosion, be of max. thickness of 0.8mm where located between panel and support frame, and be of min. 50% open area.

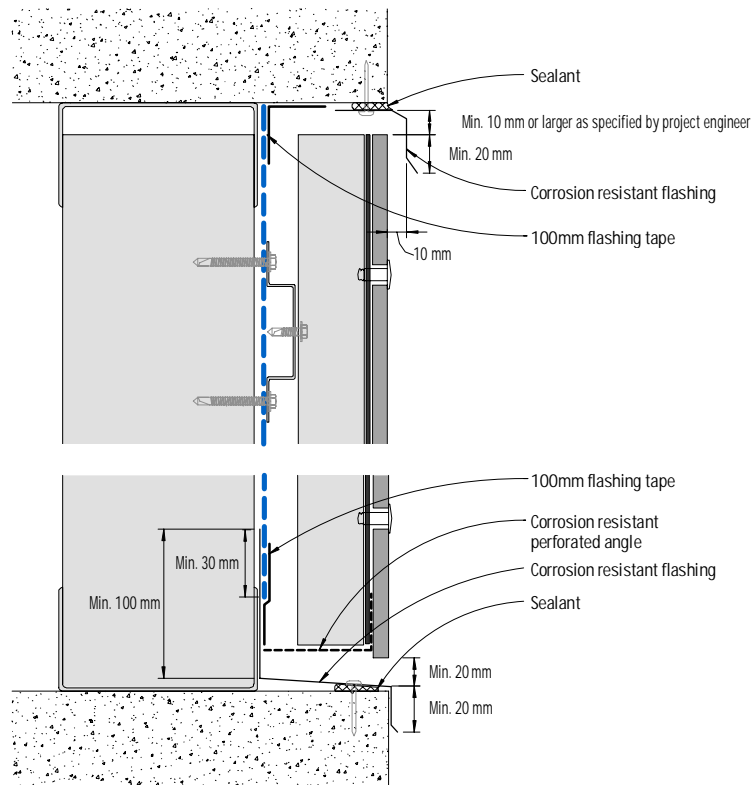


Figure 22: Exposed slab junction - Cladding flush

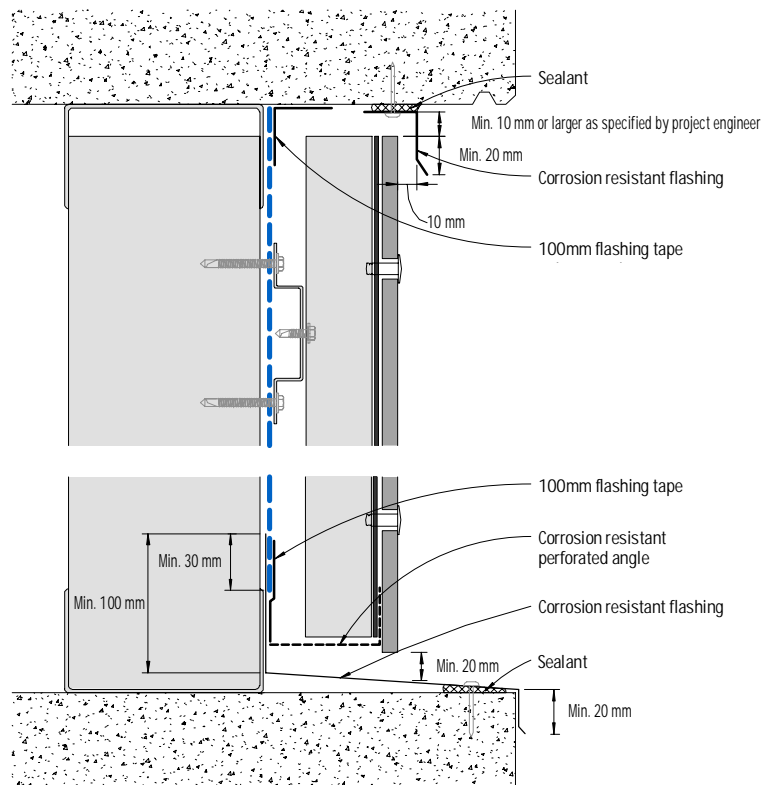


Figure 23: Exposed slab junction - Cladding recessed

Notes:

- 1) Refer to Pro Clima's flashing tape application guide for any pre-treatment required on concrete or masonry for the application of the flashing tape onto these substrates.
- 2) Support frame profiles must NOT be fixed crossing over a control joint nor to a deflection head.
- 3) For EQUITONE [materia] refer to EQUITONE construction details with Siniat WEATHER DEFENCE.

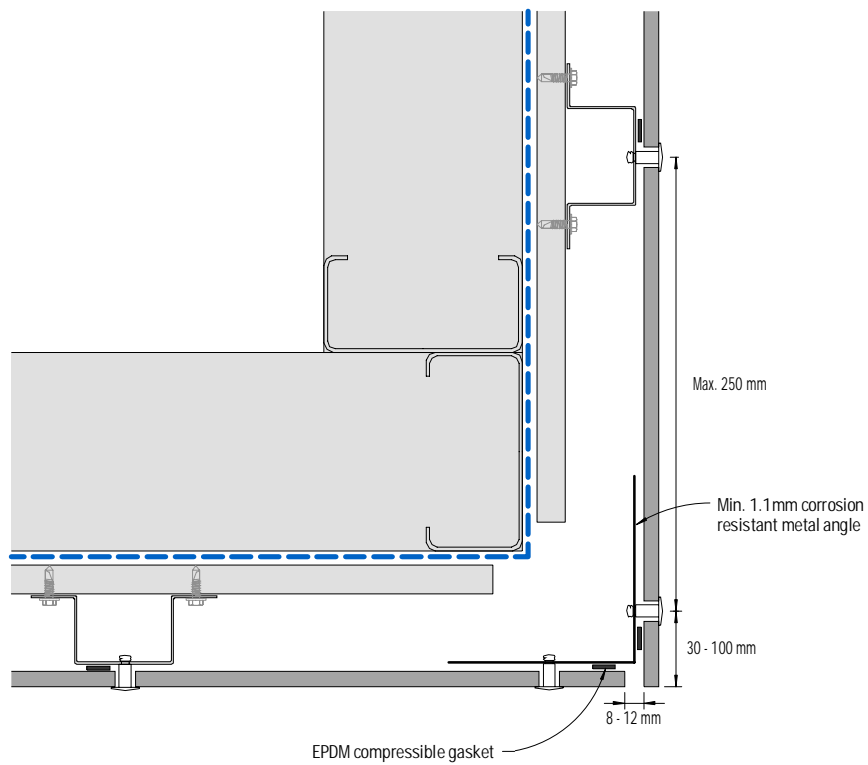


Figure 24: External corner - Detail 1

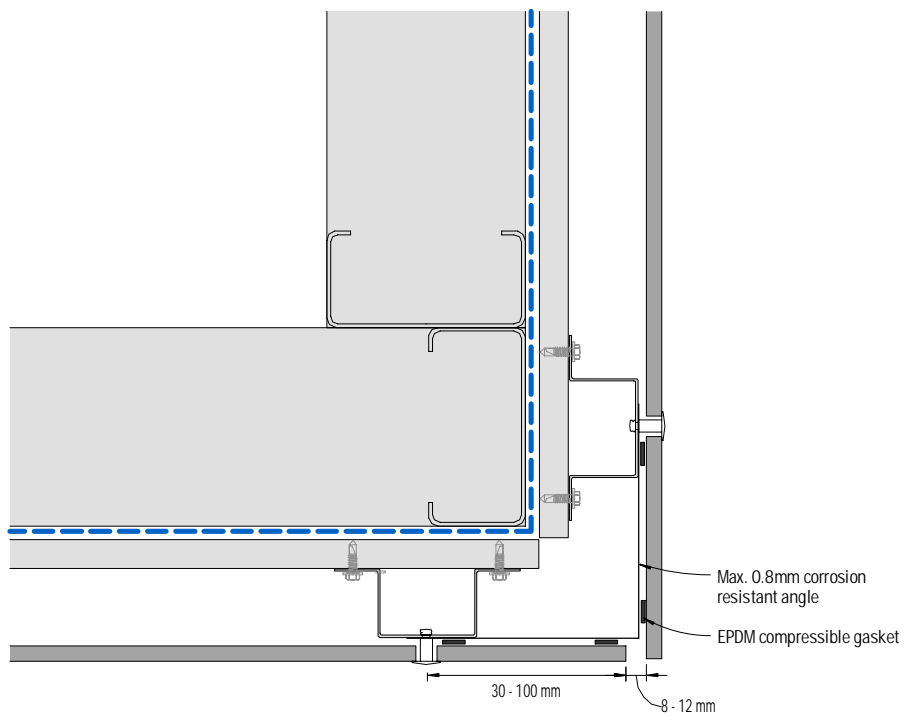


Figure 25: External corner - Detail 2

Note
 For EQUITONE [material] refer to EQUITONE construction details with Siniat WEATHER DEFENCE.

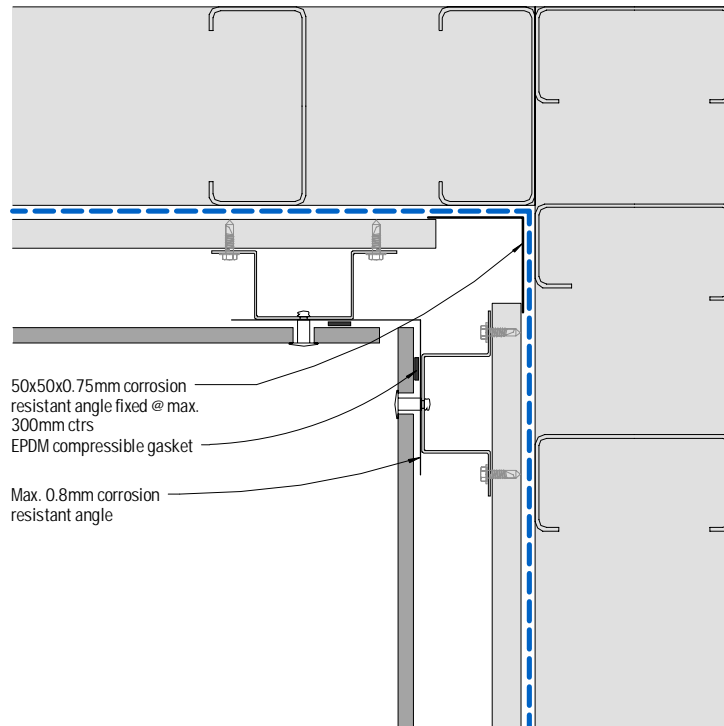


Figure 26: Internal corner

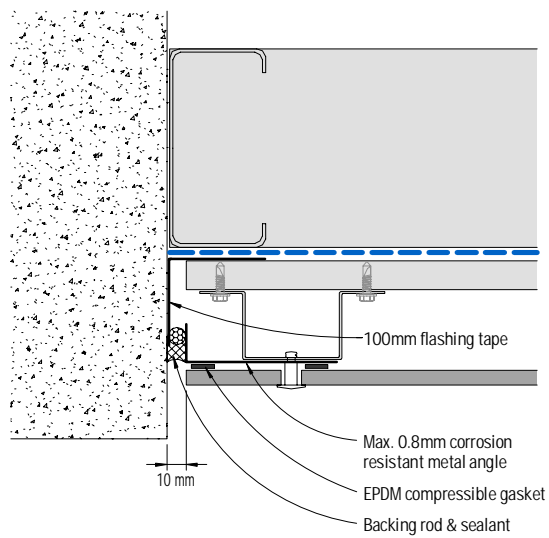


Figure 27: Abutment

Note
 For EQUITONE [material] refer to EQUITONE construction details with Siniat WEATHER DEFENCE.

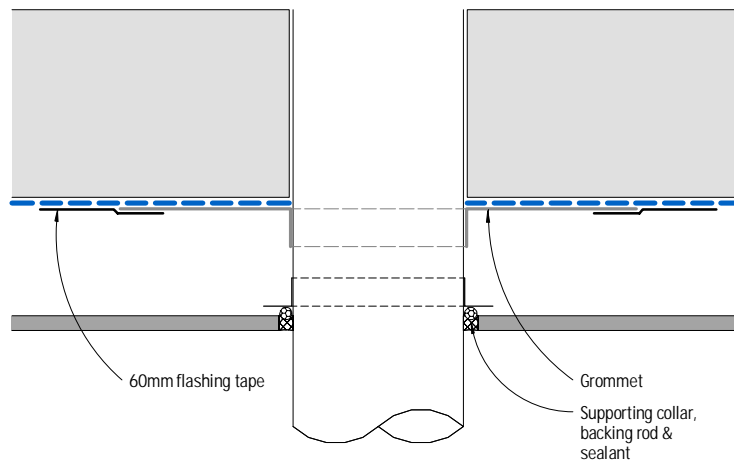


Figure 28: Pipe penetration - Plan view

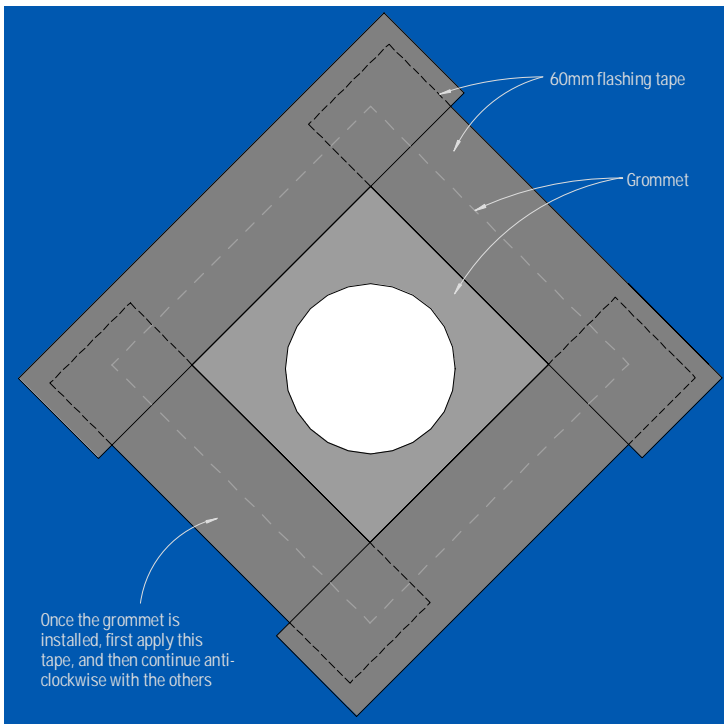


Figure 29: Pipe penetration - Elevation

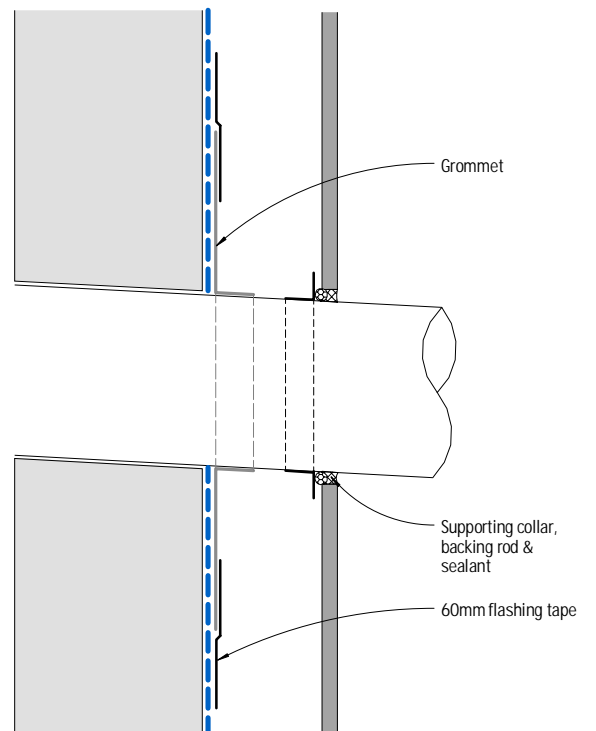


Figure 30: Pipe penetration - Section

Note
For EQUITONE [material] refer to EQUITONE construction details with Siniat WEATHER DEFENCE.

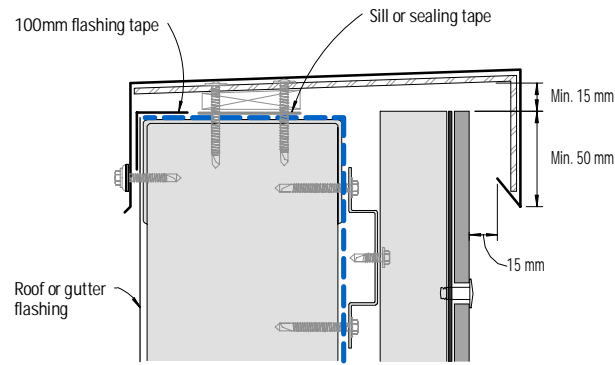


Figure 31: Capping - Detail 1

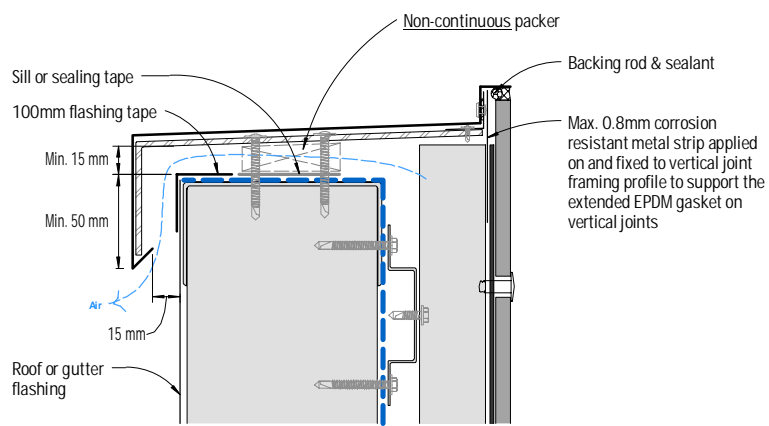


Figure 32: Capping - Detail 2

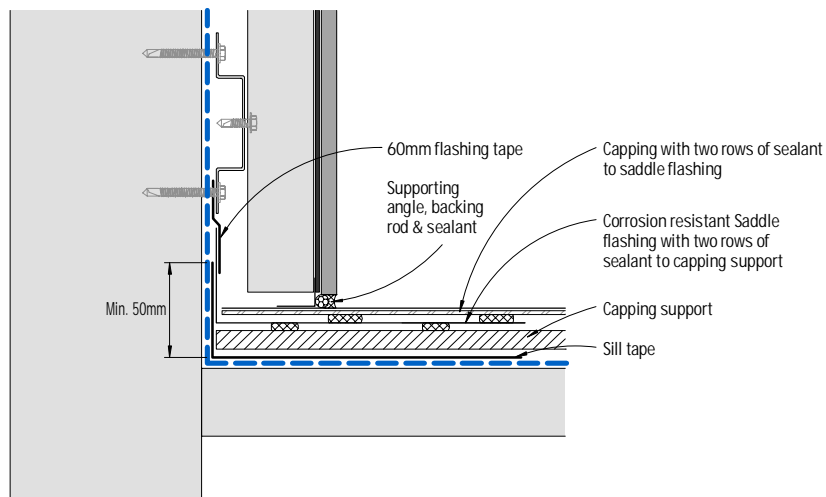


Figure 33: Parapet junction - Section

Notes

- 1) Capping '2' will involve further maintenance requirement in order to maintain the seal at the interface with the panel. Any deterioration of the sealant may result in panel staining, and will compromise the weatherproofing performance. Use UV stable and resistant external grade sealant.
- 2) For EQUITONE [material] refer to EQUITONE construction details with Siniat WEATHER DEFENCE.

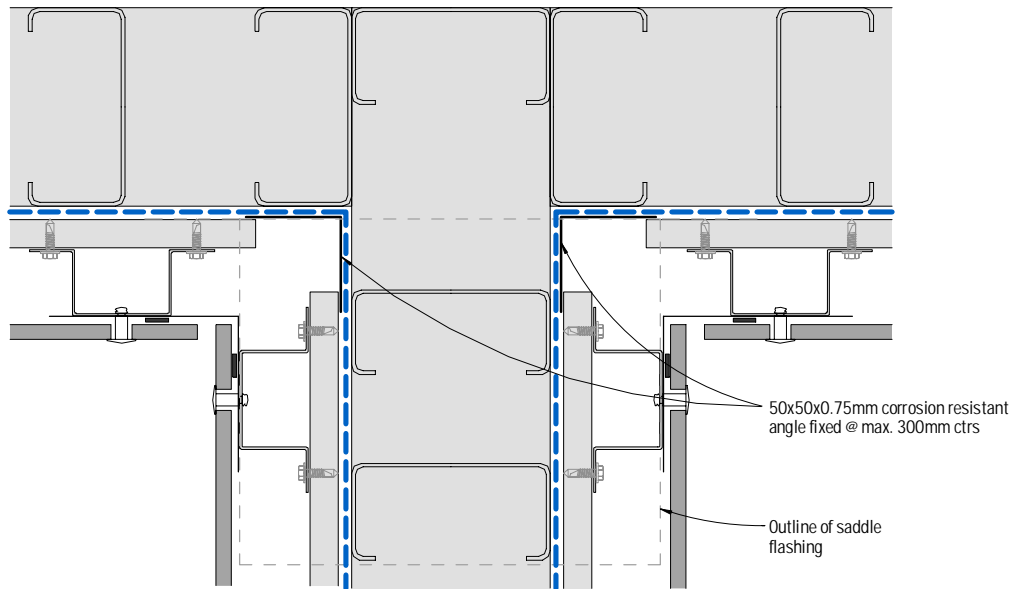


Figure 34: Parapet junction - Plan view

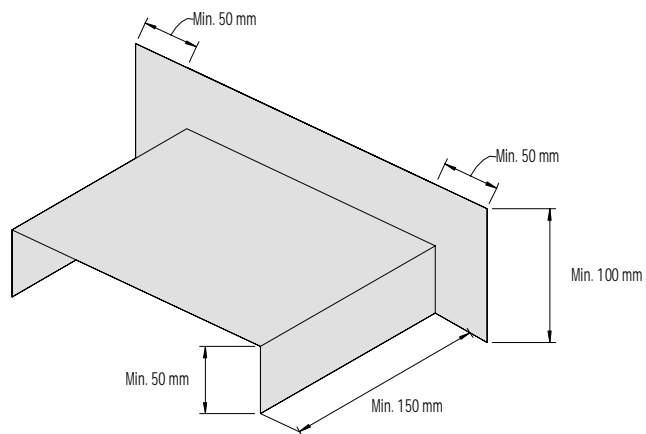
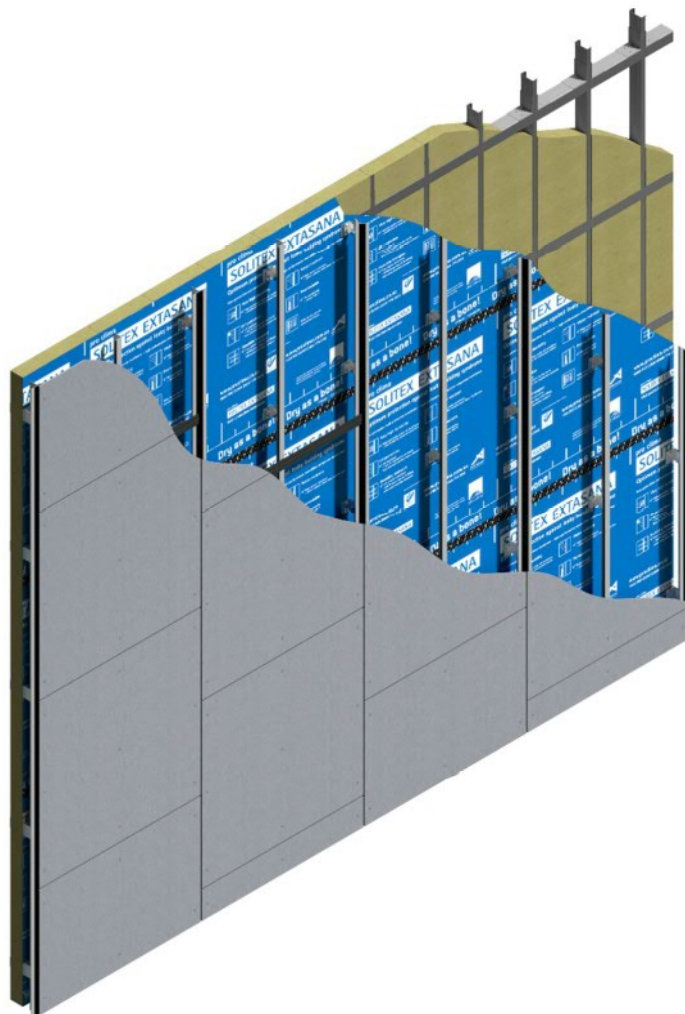


Figure 35: Corrosion resistant saddle flashing

Note
For EQUITONE [material] refer to EQUITONE construction details with Siniat WEATHER DEFENCE.

EQUITONE system



pro clima SOLITEX EXTASANA® pliable membrane

Aluminium bracketry construction

Support frame

Aluminium bracketry system NVELOPE NV1

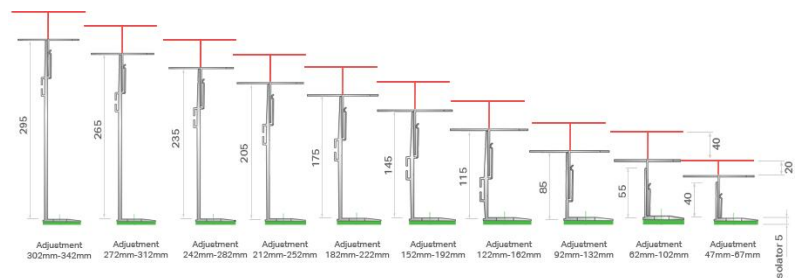
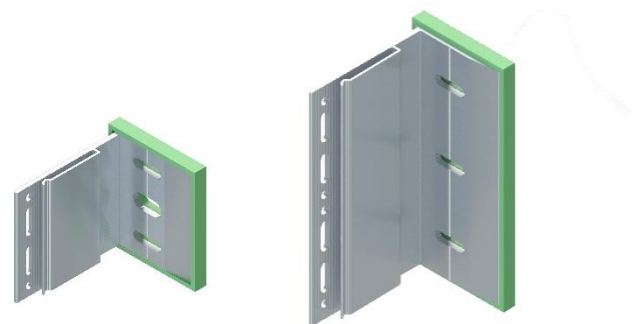
Thermal isolator gasket

Used to minimise thermal bridging, and to separate aluminium from steel or concrete.



Bracket

NVELOPE aluminium brackets are available in two sizes, ie single and double, with various depths to suit a variety of cavity width from approx. 50 to 300mm.



Vertical rail (profile)

NVELOPE aluminium vertical L and T rails

Minimum face width of T rail: 120 mm

Minimum face width of L rail: 40 mm



Notes

Maximum deflection limit of the support frame under influence of load is $\text{Span}/250$.

Support frame and its connection to substructure shall be designed by project engineer in accordance with the relevant standards. Refer to UNI Rivet span tables for maximum vertical and horizontal spacing of panel fixings.

The application of NVELOPE system shall be in accordance with its supplier's recommendations and guidelines.

Refer to NVELOPE and EQUITONE brochure for detailed information on NVELOPE components and their available sizes and options.

Drawings index

Detail	Figure	Page
Baffled horizontal joint	1	43
Baffled horizontal joint junction with vertical joint - Elevation	2	43
Vertical joint - Detail 1	3	43
Vertical joint - Detail 2	4	44
Vertical joint - Detail 3	5	44
Intermediate panel fixings connection	6	44
Horizontal control joint	7	45
EPDM gasket support over control joint or the like	8	45
Vertical control joint	9	45
Flush window - Head and sill	10	46
Flush window - Jamb	11	46
Recessed window - Head and sill	12	46
Recessed window - Jamb	13	46
Meter box - Section	14	47
Meter box - Plan view - Detail 1	15	47
Meter box - Plan view - Detail 2	16	47
Isometric view of window/meter box opening - Tape application	17	48
Soffit junction	18	48
Base detail	19	49
Base detail - Covered area	20	49
Base detail - Balcony	21	49
Exposed slab junction - Cladding flush	22	50
Exposed slab junction - Cladding recessed	23	50
External corner - Detail 1	24	51
External corner - Detail 2	25	51
Internal corner	26	52
Abutment	27	52
Pipe penetration - Plan view	28	53
Pipe penetration - Elevation	29	53
Pipe penetration - Section	30	53
Capping - Detail 1	31	54
Capping - Detail 2	32	54
Parapet junction - Section	33	54
Parapet junction - Plan view	34	55
Corrosion resistant saddle flashing	35	55

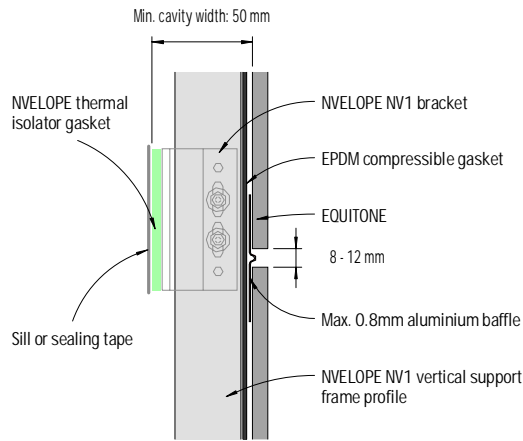


Figure 1: Baffled horizontal joint

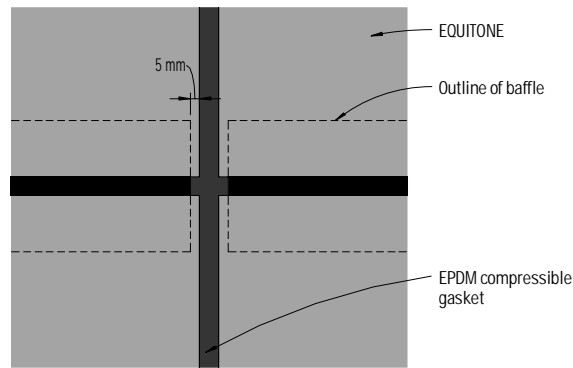


Figure 2: Baffled horizontal joint junction with vertical joint - Elevation

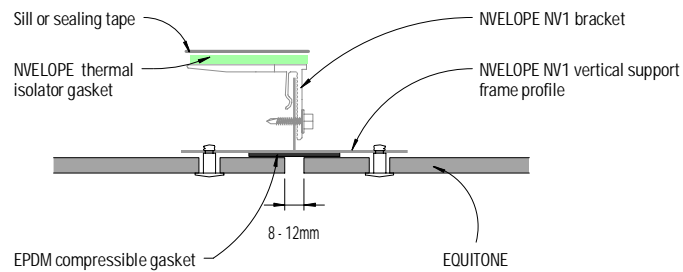


Figure 3: Vertical joint - Detail 1

Notes

- 1) In open horizontal joint design visible part of the support frame and weather barrier may be coated black with suitable paint.
- 2) The length of NVELOPE NV3 vertical and horizontal rail, and expressed joint profile must NOT exceed 3,150mm.
- 3) For EQUITONE [material] refer to EQUITONE construction details with Siniat WEATHER DEFENCE.

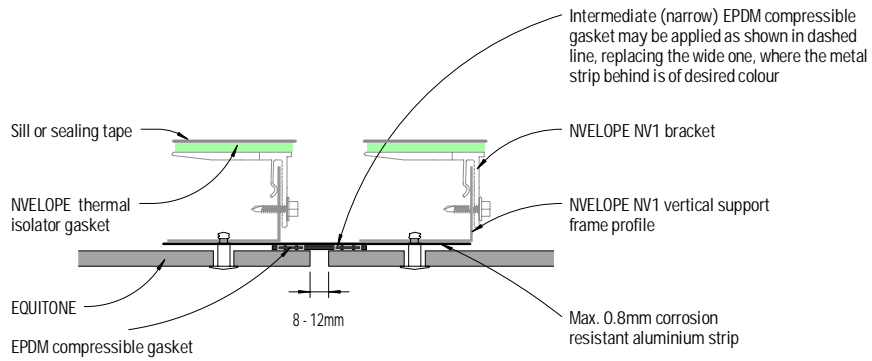


Figure 4: Vertical joint - Detail 2

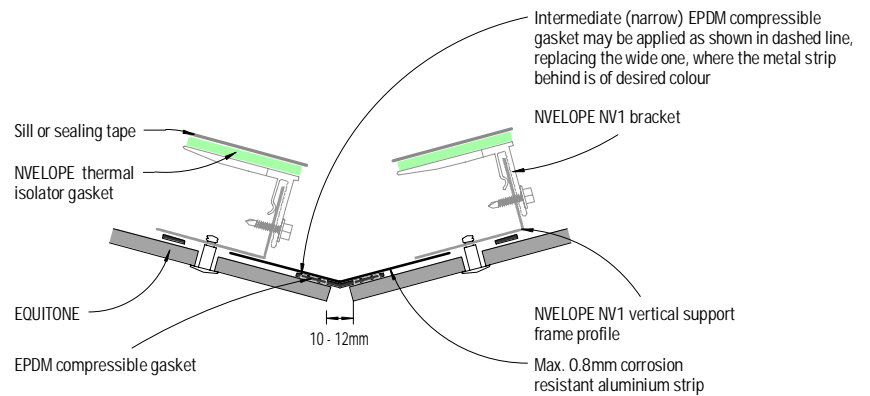


Figure 5: Vertical joint - Detail 3

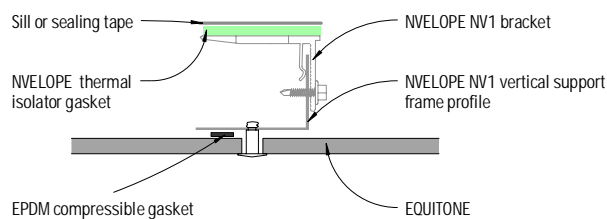


Figure 6: Intermediate panel fixings connection

Notes

- 1) In Figure 4 & 5, the aluminium strip should be fixed ONLY to one of the support frame profiles (either left or right) where allowance for horizontal and/or vertical movement of the cladding frame is required.
- 2) EPDM compressible gasket strip is applied away from the panel hole, and usually to one side of the support frame profile as shown in Figure 6.
- 3) For EQUITONE [materia] refer to EQUITONE construction details with Siniat WEATHER DEFENCE.

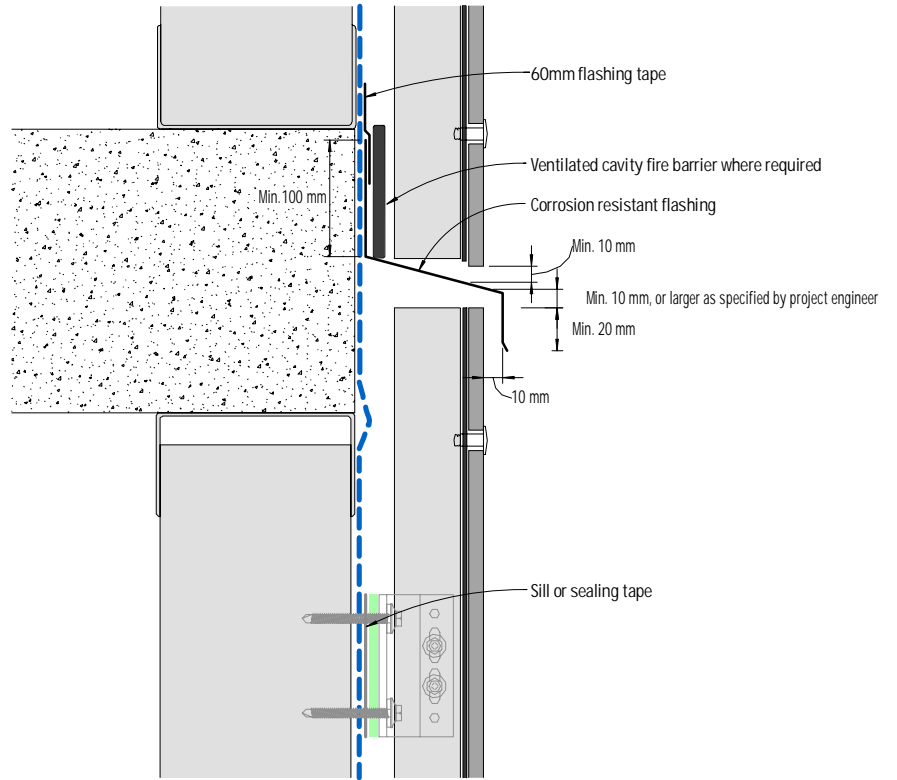


Figure 7: Horizontal control joint

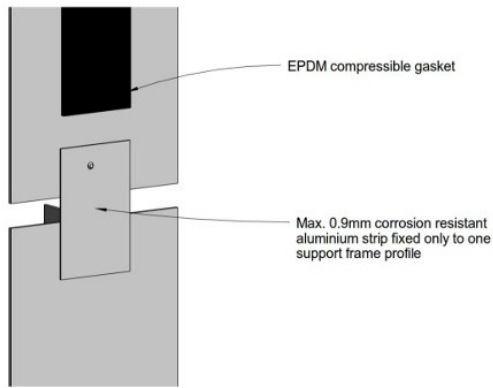


Figure 8: EPDM gasket support over control joint or the like

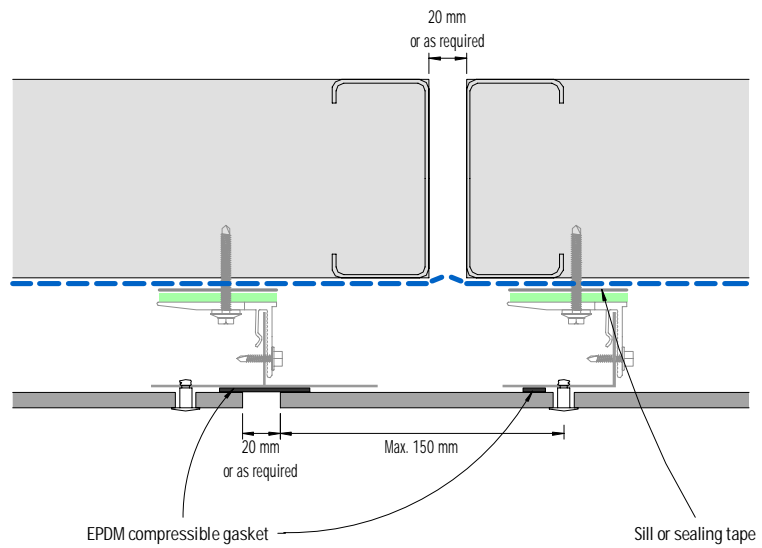


Figure 9: Vertical control joint

Notes

- 1) Support frame profiles must NOT be fixed crossing over a control joint nor to a deflection head.
- 2) Allowance for movement at the location of any control joint must be made in the cladding and its support frame design and installation. Panel must NOT be fixed bridging over any control joint.
- 3) For EQUITONE [material] refer to EQUITONE construction details with Siniat WEATHER DEFENCE.

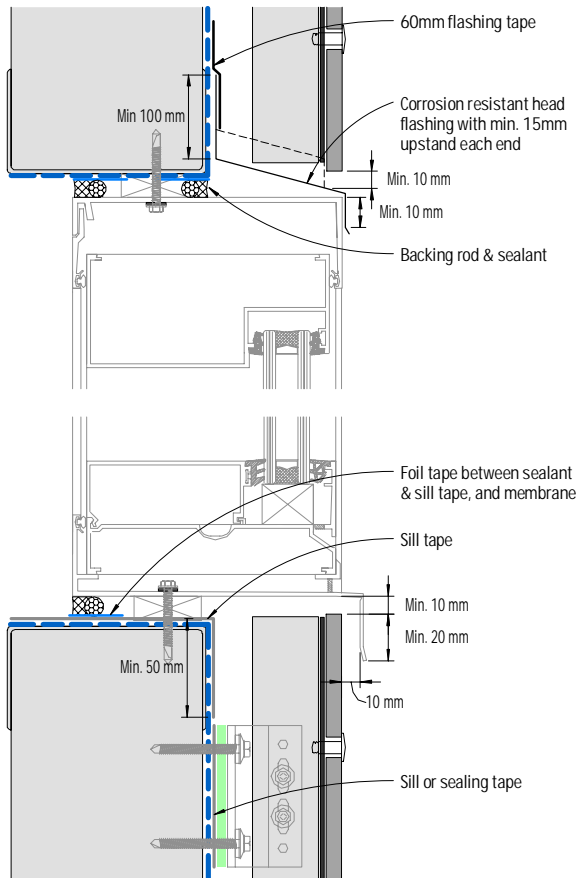


Figure 10: Flush window - Head and sill

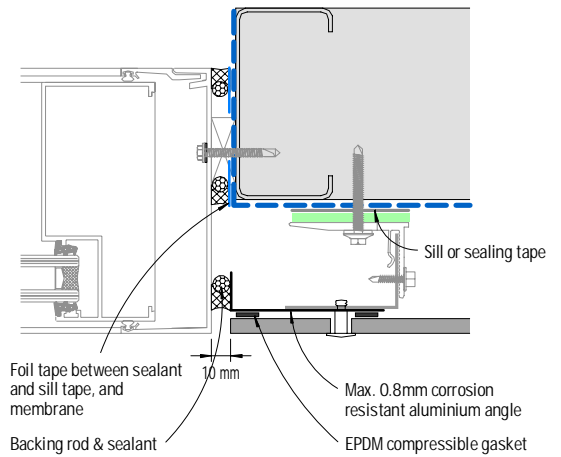


Figure 11: Flush window - Jamb

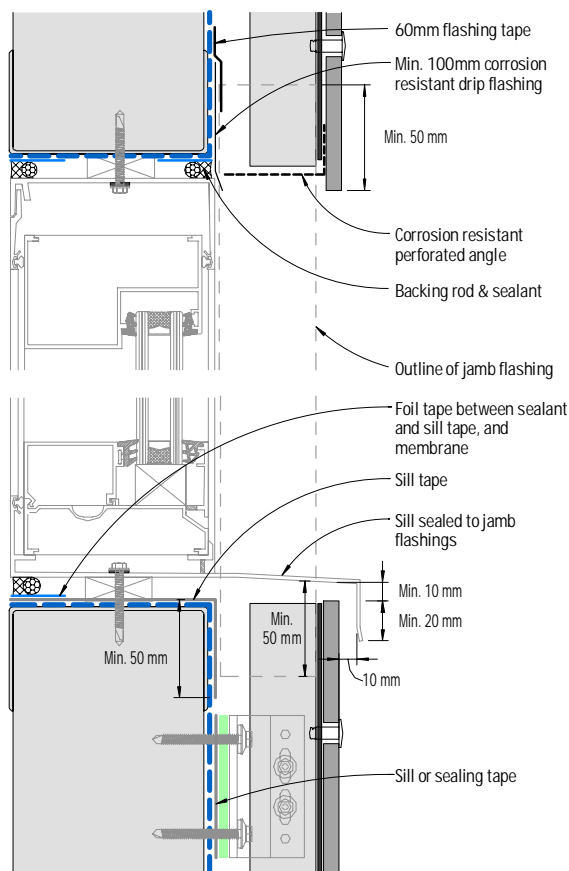


Figure 12: Recessed window - Head and sill

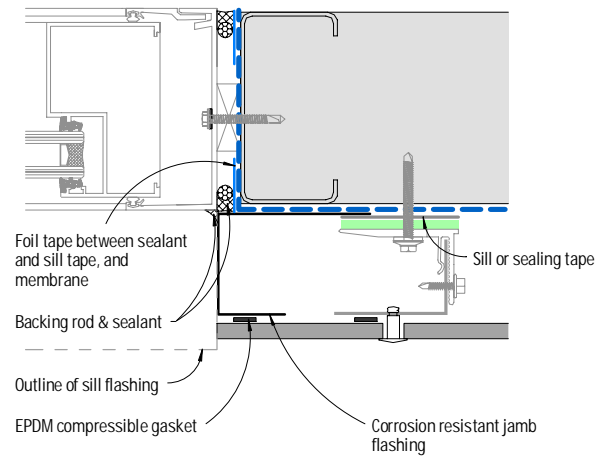


Figure 13: Recessed window - Jamb

Notes

1) ONLY sealant compatible with the foil tape should be used. Should any sealant be intended to be used directly on the flashing and/or sill tape, or membrane it must be confirmed with its manufacturer to ensure compatibility with these tapes in accordance with the relevant standards.

2) For EQUITONE [materia] refer to EQUITONE construction details with Siniat WEATHER DEFENCE.

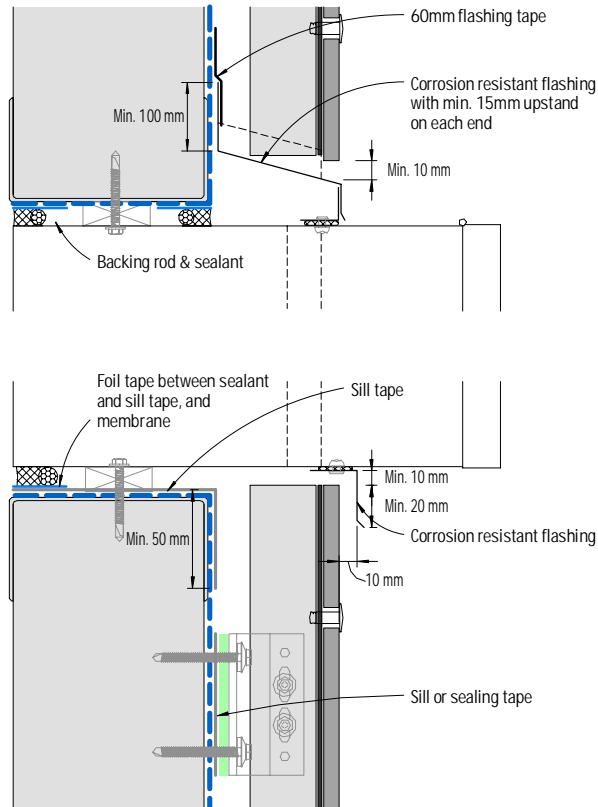


Figure 14: Meter box - Section

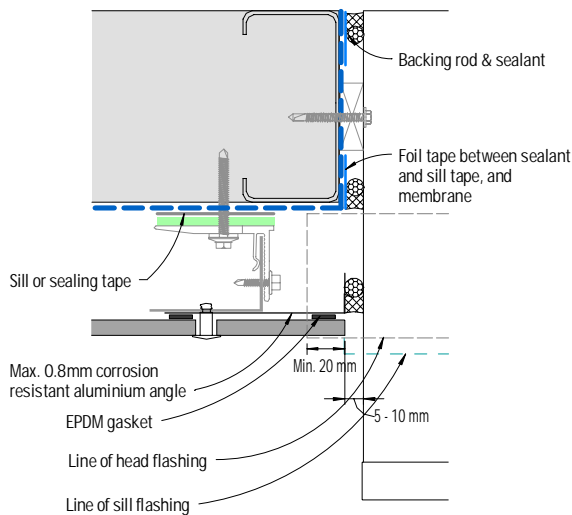


Figure 15: Meter box - Plan view - Detail 1

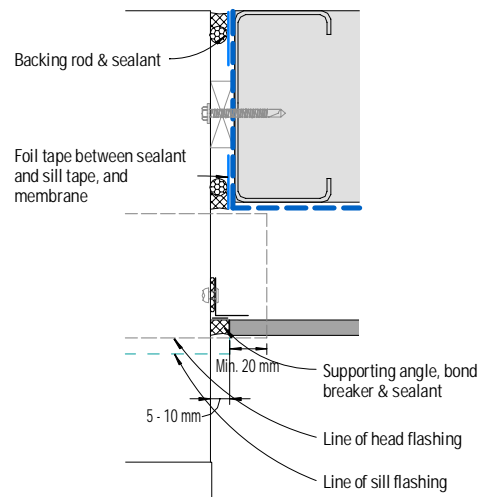


Figure 16: Meter box - Plan view - Detail 2

Notes

- 1) ONLY sealant compatible with the foil tape should be used. Should any sealant be intended to be used directly on the flashing and/or sill tape, or membrane it must be confirmed with its manufacturer to ensure compatibility with these tapes in accordance with the relevant standards.
- 2) For EQUITONE [materia] refer to EQUITONE construction details with Siniat WEATHER DEFENCE.

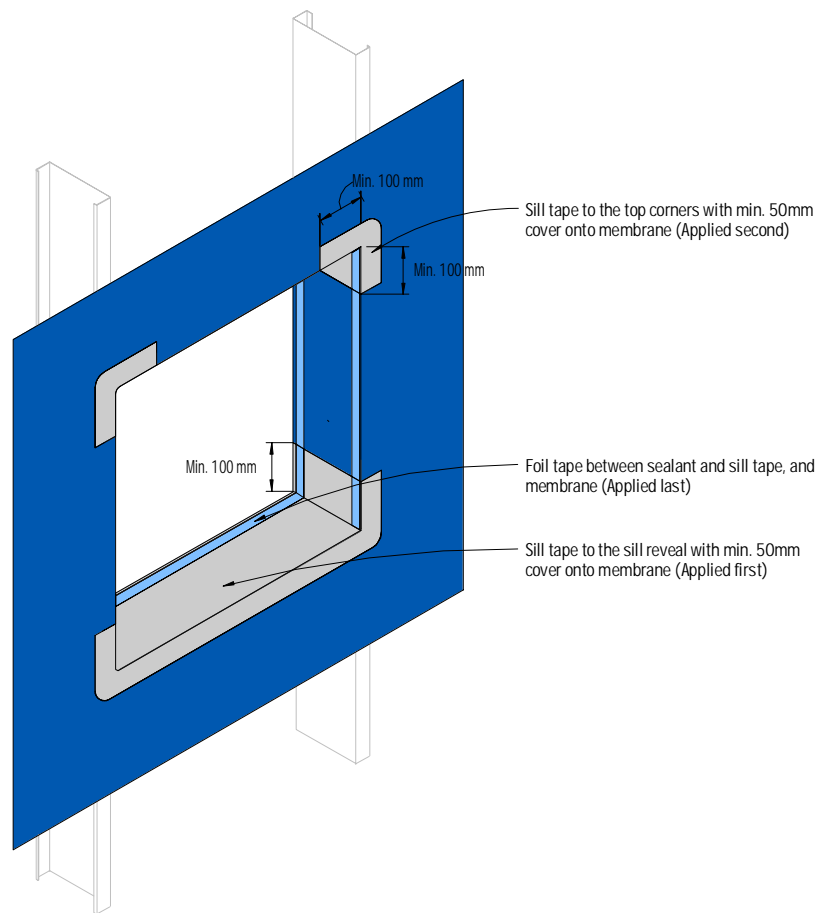


Figure 17: Isometric view of window/meter box opening - Tape application

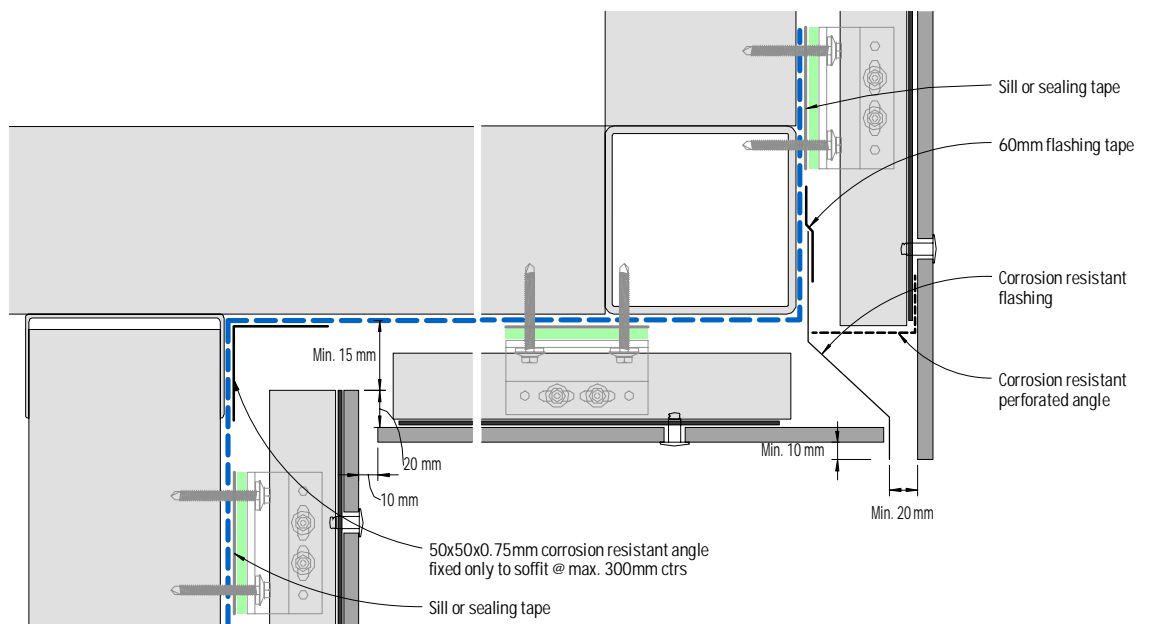


Figure 18: Soffit junction

Notes

- 1) ONLY sealant compatible with the foil tape should be used. Should any sealant be intended to be used directly on the flashing and/or sill tape, or membrane it must be confirmed with its manufacturer to ensure compatibility with these tapes in accordance with the relevant standards.
- 2) Support frame profiles must NOT be fixed crossing over a control joint nor to a deflection head.
- 3) For EQUITONE [material] refer to EQUITONE construction details with Siniat WEATHER DEFENCE.
- 4) Corrosion resistant perforated angle shall be in Aluminium (or of adequate protective coating) to prevent bimetallic corrosion, be of max. thickness of 0.8mm where located between panel and support frame, and be of min. 50% open area.

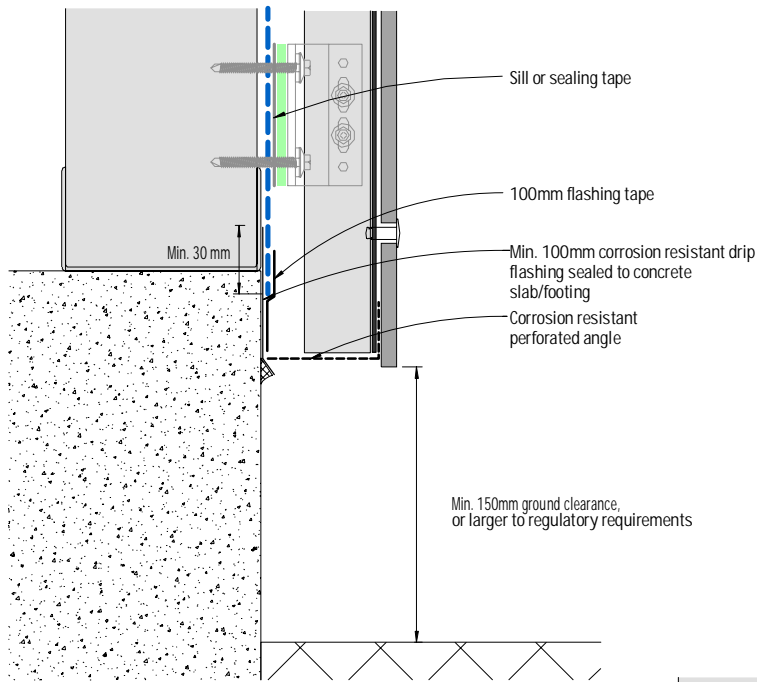


Figure 19: Base detail

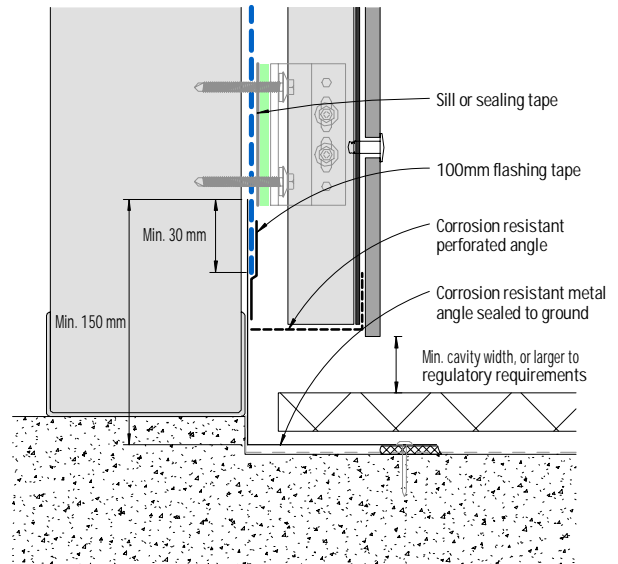


Figure 20: Base detail - Covered area

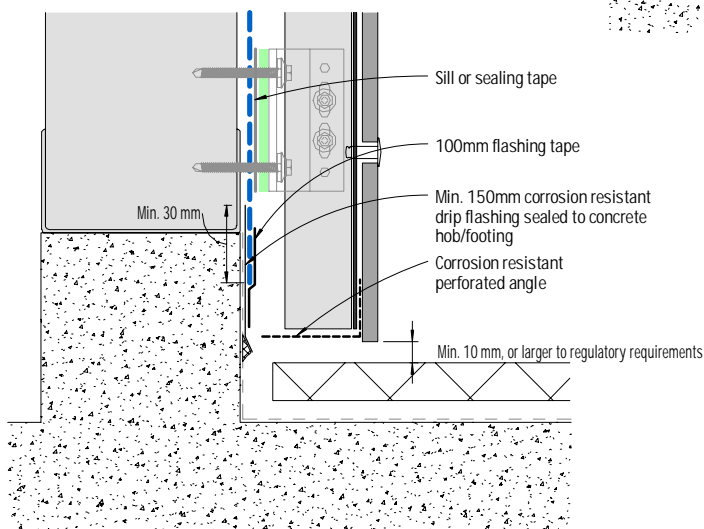


Figure 21: Base detail - Balcony

Notes

- 1) For EQUITONE [materia] refer to EQUITONE construction details with Siniat WEATHER DEFENCE.
- 2) Corrosion resistant perforated angle shall be in Aluminium (or of adequate protective coating) to prevent bimetallic corrosion, be of max. thickness of 0.8mm where located between panel and support frame, and be of min. 50% open area.

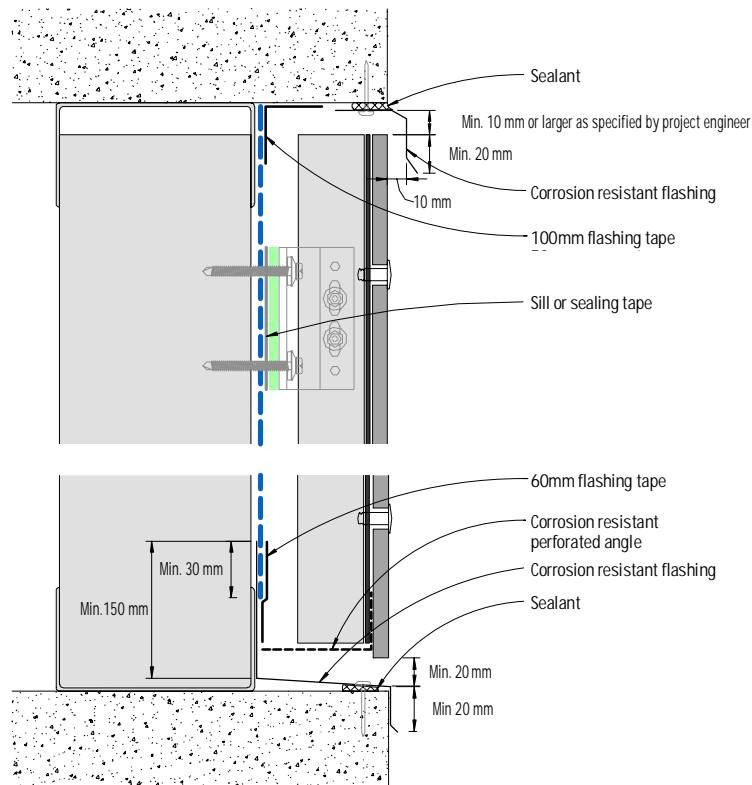


Figure 22: Exposed slab junction - Cladding flush

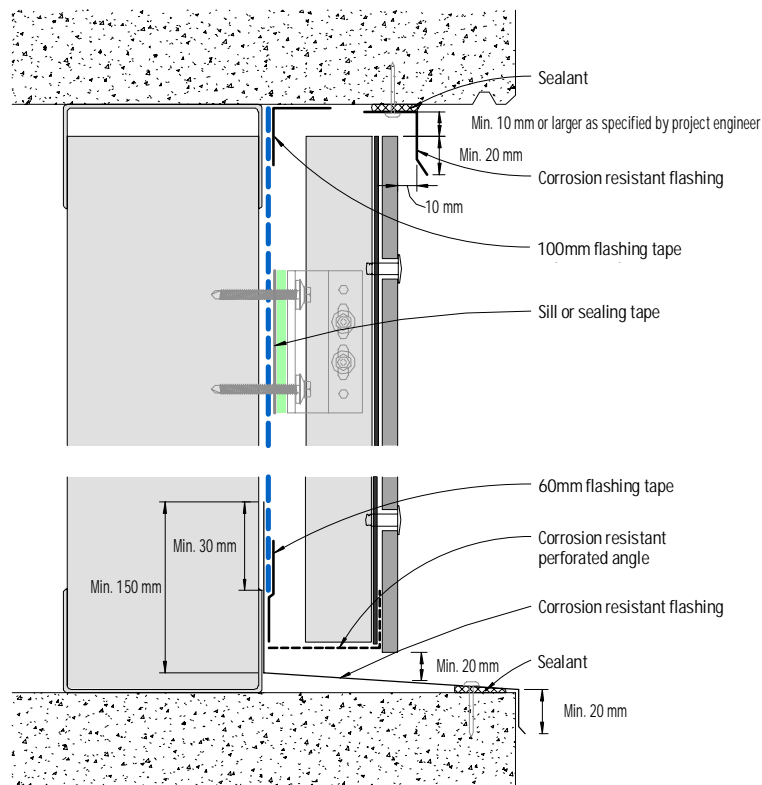


Figure 23: Exposed slab junction - Cladding recessed

Notes

- 1) Refer to Pro Clima's flashing tape application guide for any pre-treatment required on concrete or masonry for the application of the flashing tape onto these substrates.
- 2) Support frame profiles must NOT be fixed crossing over a control joint nor to a deflection head.
- 3) For EQUITONE [material] refer to EQUITONE construction details with Siniat WEATHER DEFENCE.
- 4) Corrosion resistant perforated angle shall be in Aluminium (or of adequate protective coating) to prevent bimetallic corrosion, be of max. thickness of 0.8mm where located between panel and support frame, and be of min. 50% open area.

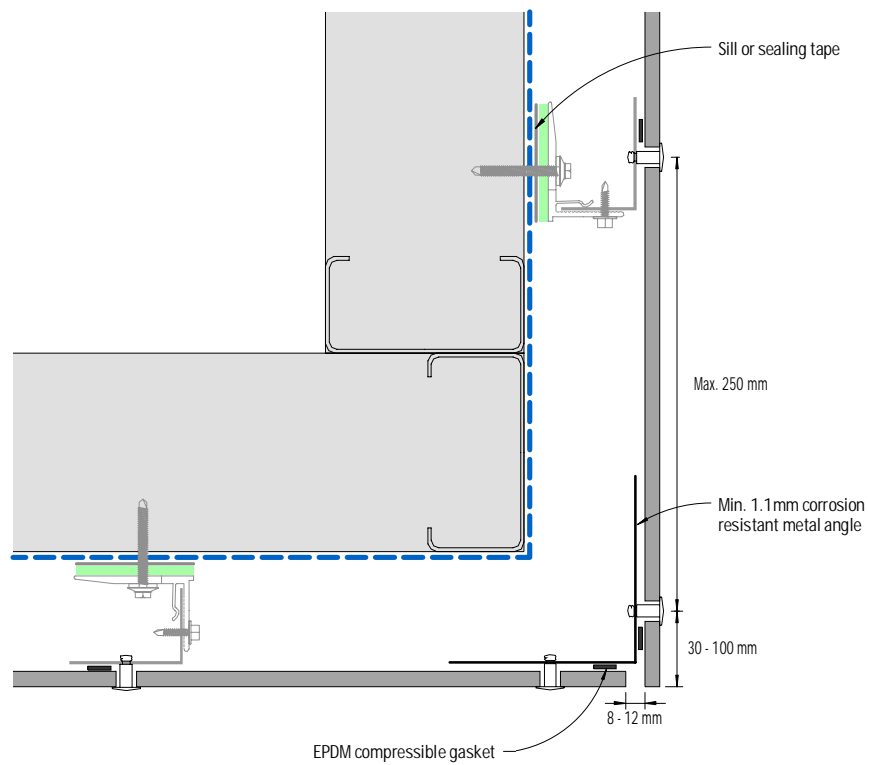


Figure 24: External corner - Detail 1

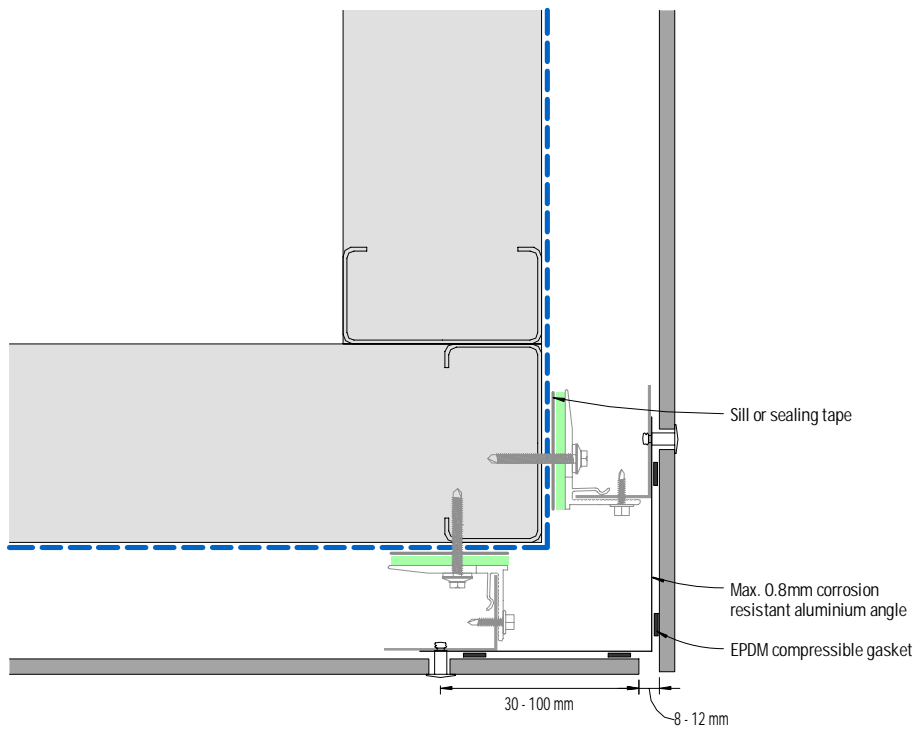


Figure 25: External corner - Detail 2

Note
 For EQUITONE [material] refer to EQUITONE construction details with Siniat WEATHER DEFENCE.

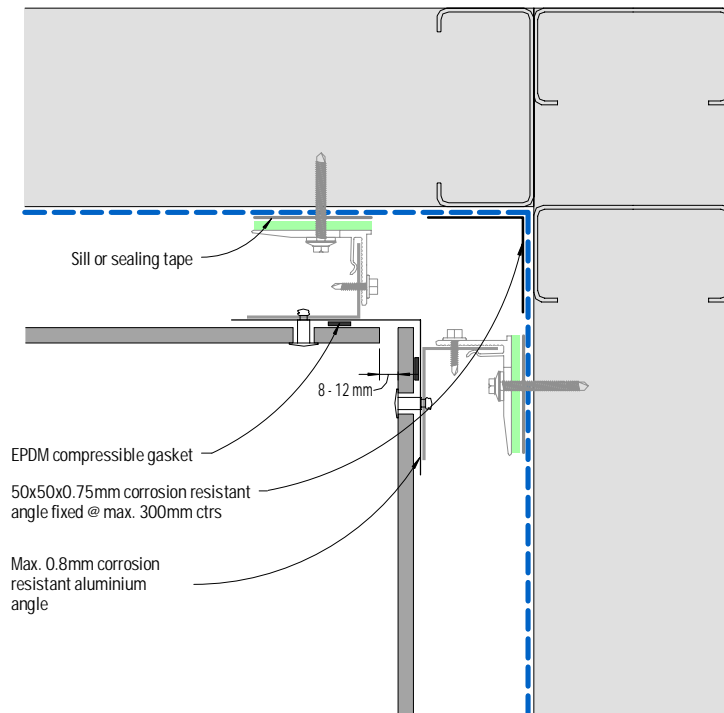


Figure 26: Internal corner

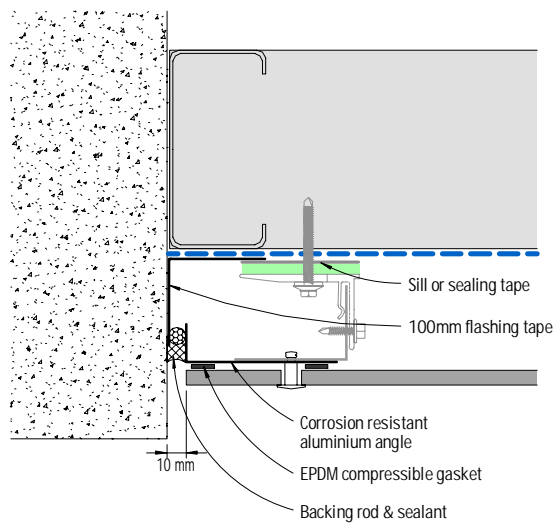


Figure 27: Abutment

Note
 For EQUITONE [materia] refer to EQUITONE construction details with Siniat WEATHER DEFENCE.

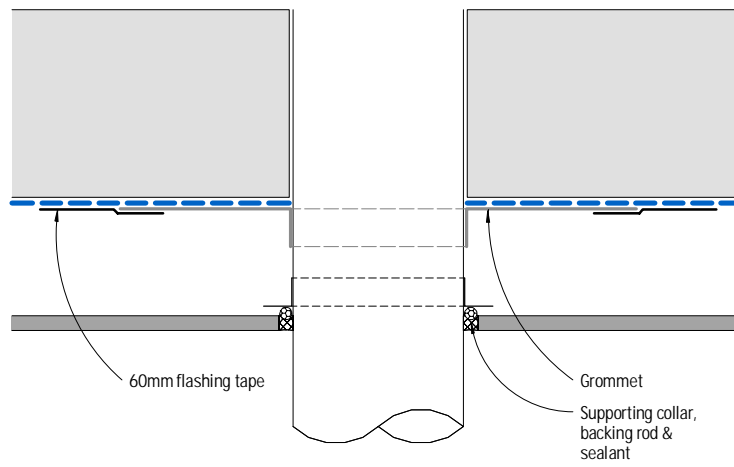


Figure 27: Pipe penetration - Plan view

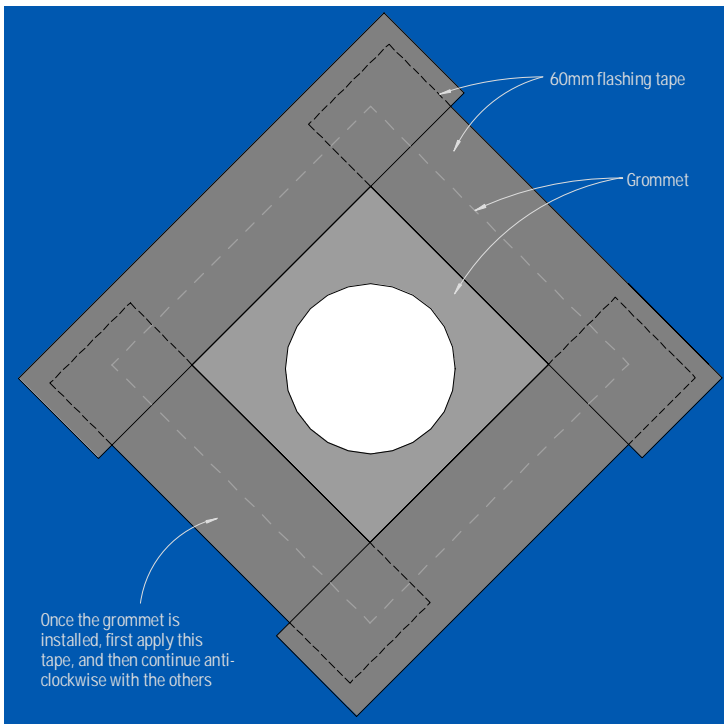


Figure 29: Pipe penetration - Elevation

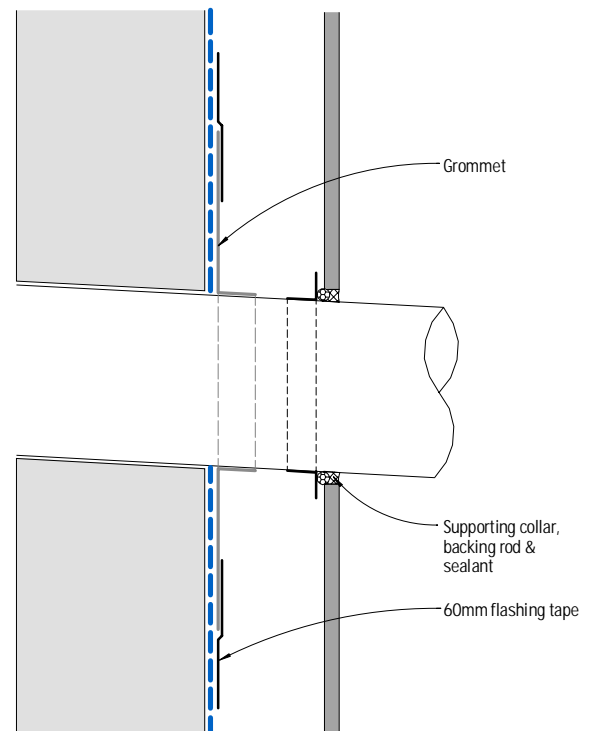


Figure 30: Pipe penetration - Section

Note
For EQUITONE [materia] refer to EQUITONE construction details with Siniat WEATHER DEFENCE.

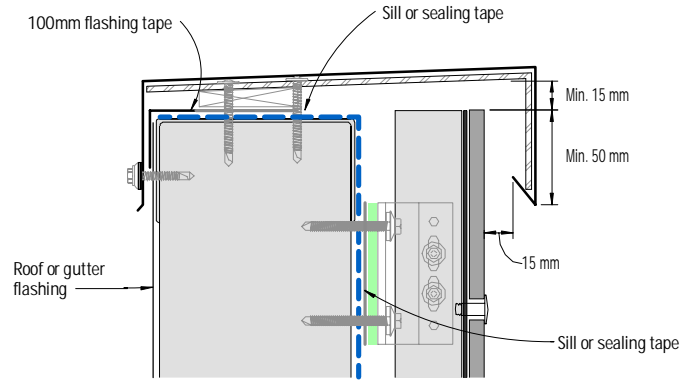


Figure 31: Capping - Detail 1

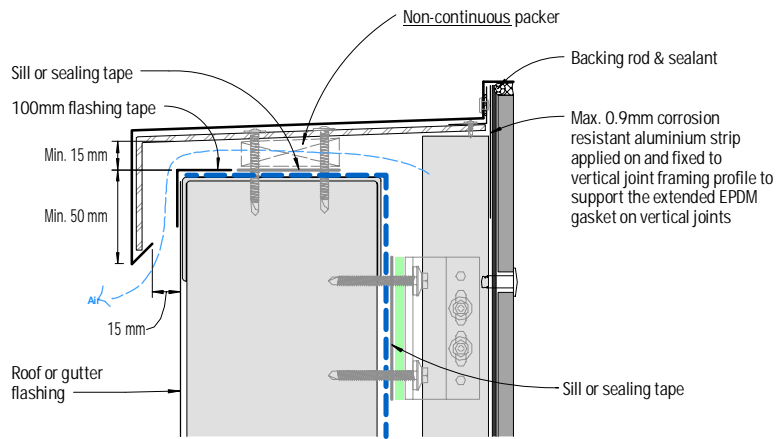


Figure 32: Capping - Detail 2

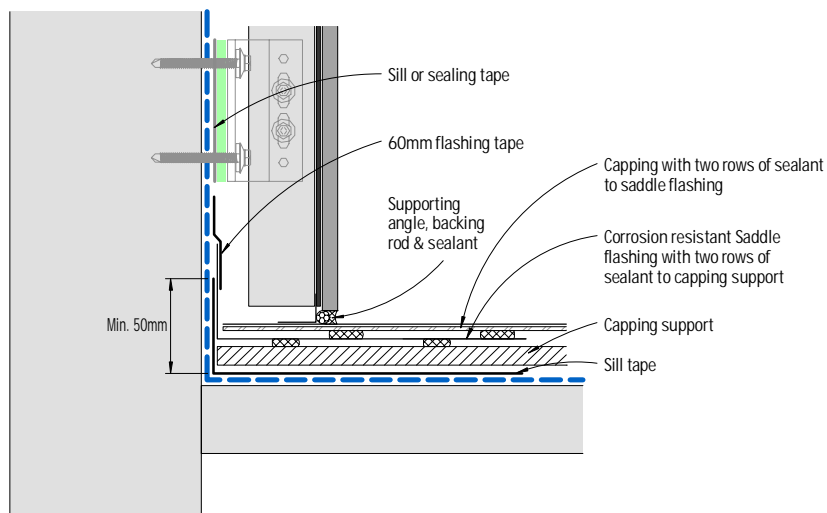


Figure 33: Parapet junction - Section

Notes

- 1) Capping '2' will involve further maintenance requirement in order to maintain the seal at the interface with the panel. Any deterioration of the sealant may result in panel staining, and will compromise the weatherproofing performance. Use UV stable and resistant external grade sealant.
- 2) For EQUITONE [material] refer to EQUITONE construction details with Siniat WEATHER DEFENCE.

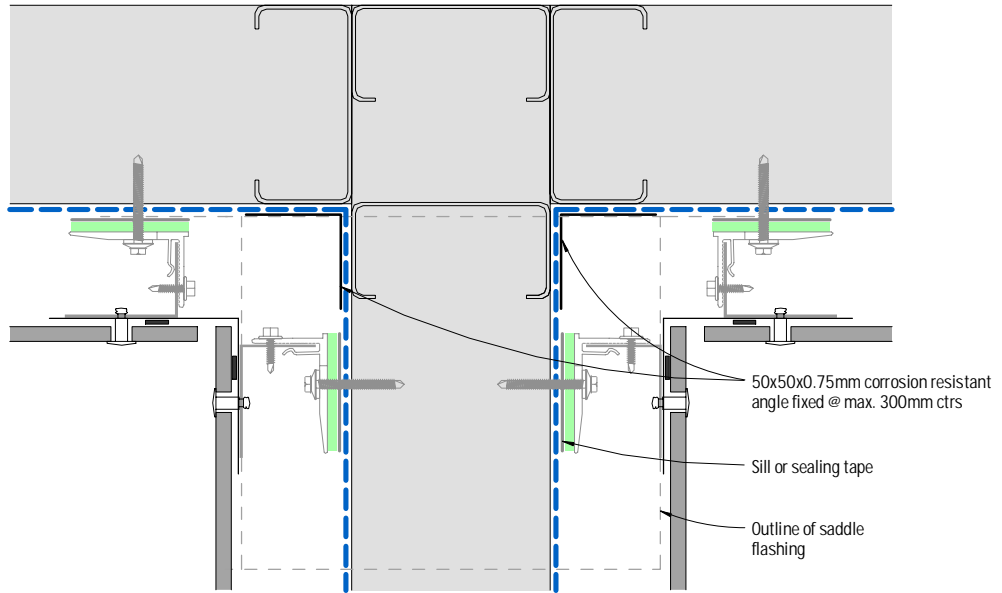


Figure 34: Parapet junction - Plan view

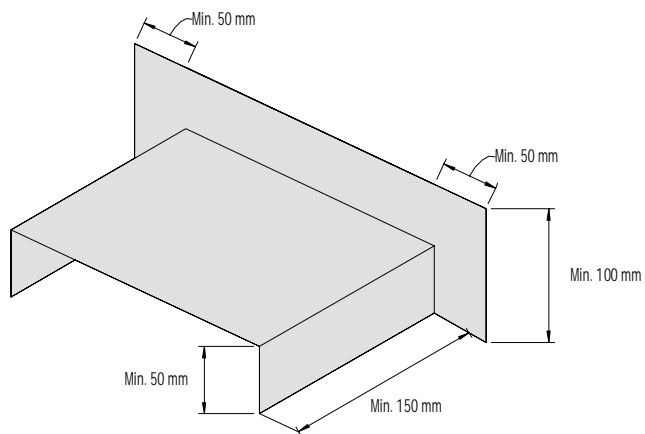
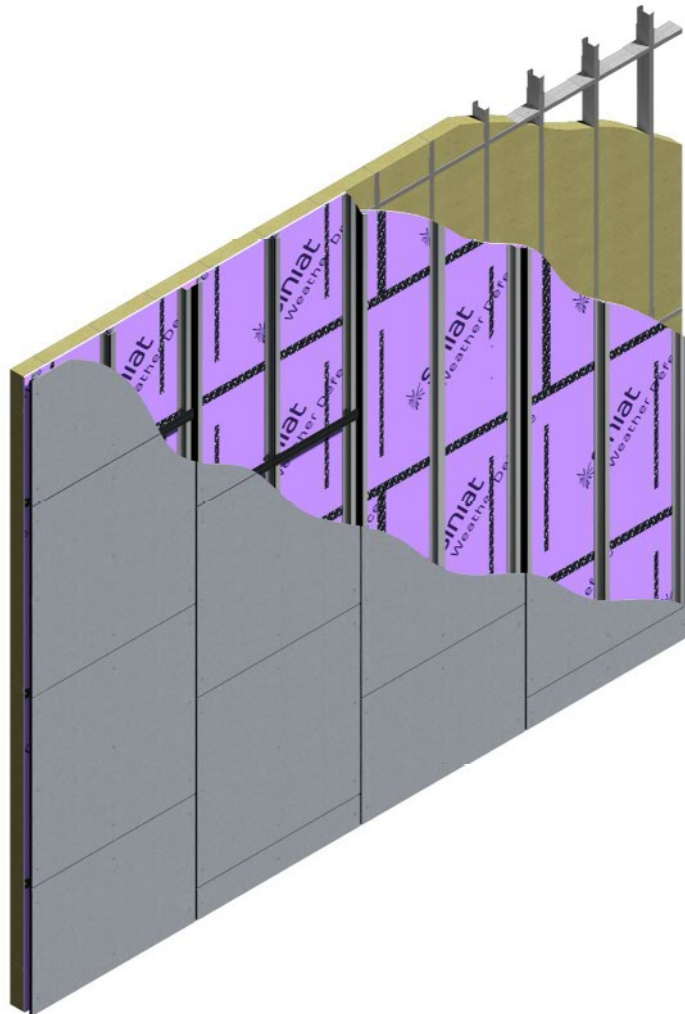


Figure 35: Corrosion resistant saddle flashing

Note
For EQUITONE [material] refer to EQUITONE construction details with Siniat WEATHER DEFENCE.

EQUITONE system



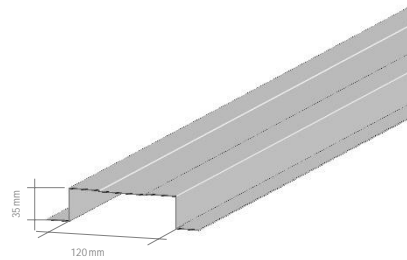
Siniat WEATHER DEFENCE® rigid air barrier

vertical top hat construction

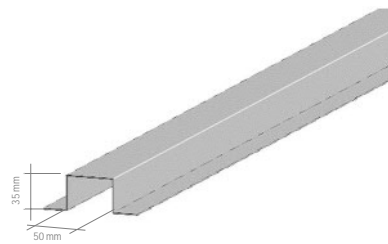
Support frame

Top hat profiles

120 x 35 mm, minimum 1.1 mm BMT



50 x 35 mm, minimum 1.1 mm BMT



Notes

Maximum deflection limit of the support frame under influence of load is $\text{Span}/250$.

Support frame and its connection to substructure shall be designed by project engineer in accordance with the relevant standards.

Refer to UNI Rivet span tables for maximum vertical and horizontal spacing of panel fixings.

Top hat shall be compliant with AS/NZS 4600:2018 – Cold-formed steel structures.

Drawings index

Detail	Figure	Page
Baffled horizontal joint	1	59
Baffled horizontal joint junction with vertical joint - Elevation	2	59
Open horizontal joint	3	59
Open horizontal joint junction with vertical joint - Elevation	4	59
Vertical joint - Detail 1	5	60
Vertical joint - Detail 2	6	60
Vertical joint - Detail 3	7	60
Intermediate panel fixings connection	8	60
Horizontal control joint - Detail 1	9	61
Horizontal control joint - Detail 2	10	61
EPDM gasket support over control joint or the like	11	62
Vertical control joint	12	62
Flush window - Head and sill	13	63
Flush window - Jamb	14	63
Recessed window - Head and sill	15	63
Recessed window - Jamb	16	63
Meter box - Section	17	64
Meter box - Plan view - Detail 1	18	64
Meter box - Plan view - Detail 2	19	64
Isometric view of window/meter box opening - Tape application	20	65
Soffit junction	21	65
Base detail	22	66
Base detail - Covered area	23	66
Base detail - Balcony	24	66
Exposed slab junction - Cladding flush	25	67
Exposed slab junction - Cladding recessed	26	67
External corner - Detail 1	27	68
External corner - Detail 2	28	68
Internal corner	29	69
Abutment	30	69
Pipe penetration - Plan view	31	70
Pipe penetration - Elevation	32	70
Pipe penetration - Section	33	70
Capping - Detail 1	34	71
Capping - Detail 2	35	71
Parapet junction - Section	36	71
Parapet junction - Plan view	37	72
Corrosion resistant saddle flashing	38	72

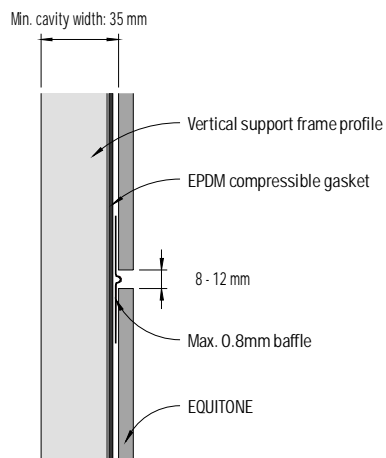


Figure 1: Baffled horizontal joint
(Not suitable for EQUITONE [material])

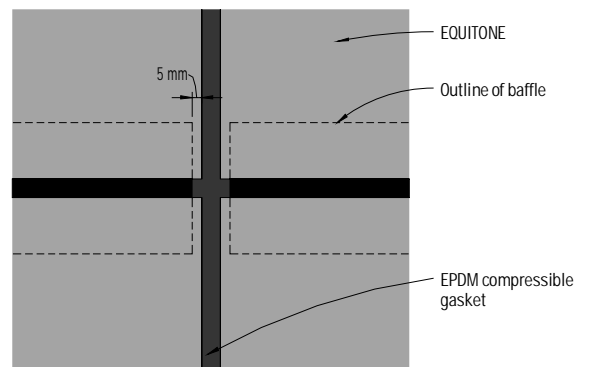


Figure 2: Baffled horizontal joint
junction with vertical joint - Elevation

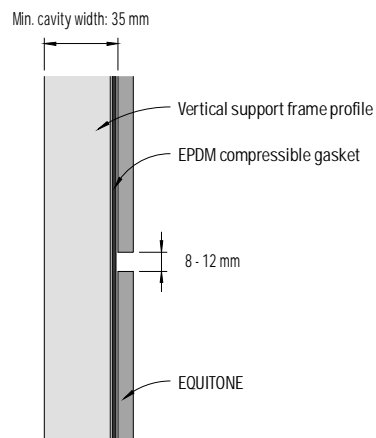


Figure 3: Open horizontal joint

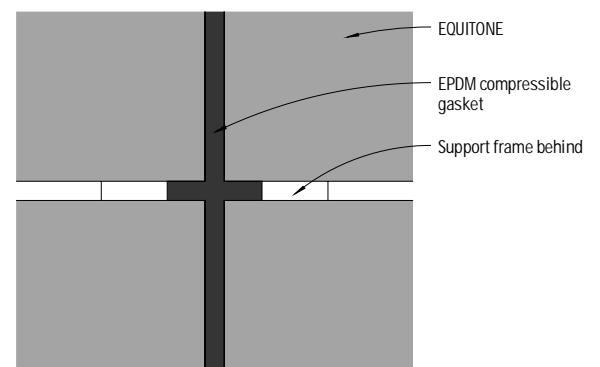


Figure 4: Open horizontal joint junction
with vertical joint - Elevation*

Notes

- 1) In open horizontal joint design visible part of the support frame and weather barrier may be coated black with suitable paint.
- 2) The length of support frame profiles must NOT exceed 3,150mm.

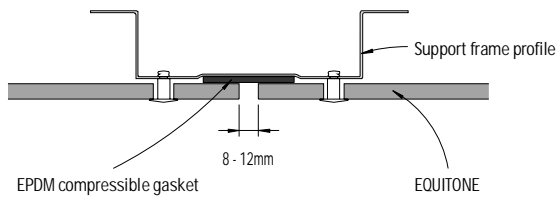


Figure 5: Vertical joint - Detail 1

Intermediate (narrow) EPDM compressible gasket may be applied as shown in dashed line, replacing the wide one, where the metal strip behind is of desired colour

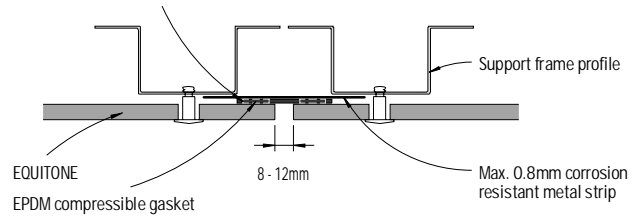


Figure 6: Vertical joint - Detail 2

Intermediate (narrow) EPDM compressible gasket may be applied as shown in dashed line, replacing the wide one, where the metal strip behind is of desired colour

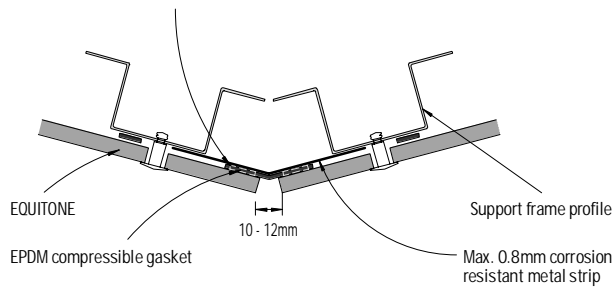


Figure 7: Vertical joint - Detail 3

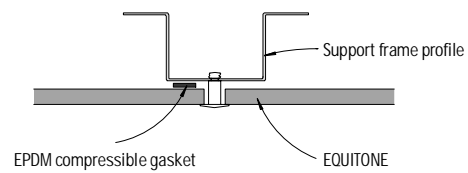


Figure 8: Intermediate panel fixings connection

Notes

- 1) In Figure 6 & 7, the metal strip should be fixed ONLY to one of the support frame profiles (either left or right) where allowance for horizontal and/or vertical movement of the cladding frame is required.
- 2) EPDM compressible gasket strip is applied away from the panel hole, and usually to one side of the support frame profile as shown in Figure 8.

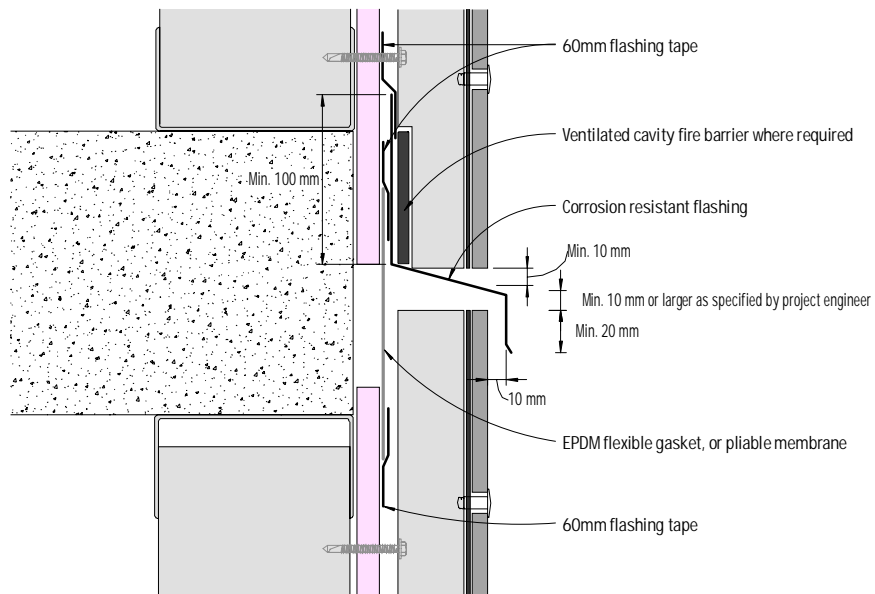


Figure 9: Horizontal control joint - Detail 1

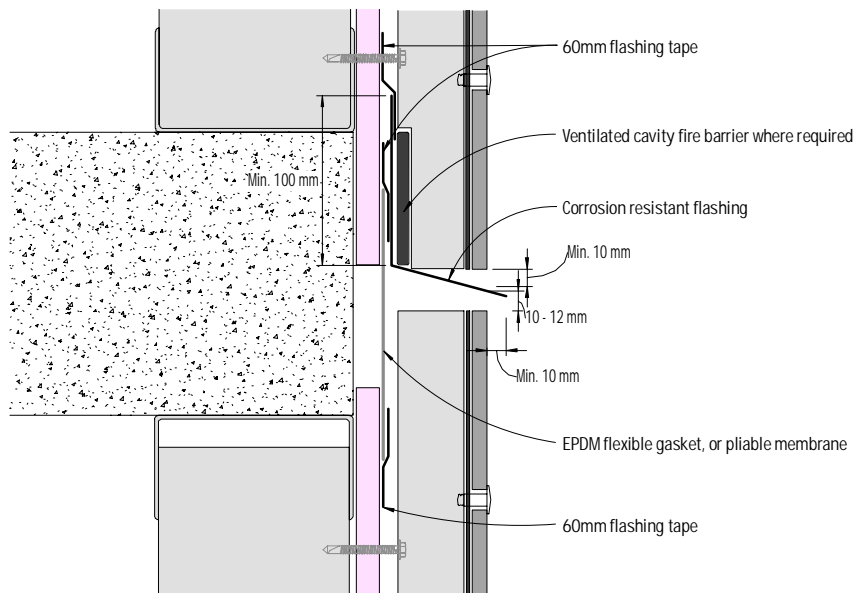


Figure 10: Horizontal control joint - Detail 2

Notes

- 1) Support frame profiles and Siniat Weather Defence must NOT be fixed crossing over a control joint nor to a deflection head.
- 2) Allowance for movement at the location of any control joint must be made in the cladding and its support frame design and installation. Panel must NOT be fixed bridging over any control joint.
- 3) In Figure 10, should a larger gap be required under the inter-storey flashing, the weatherproofing performance of the detail shall be evaluated by project engineer.

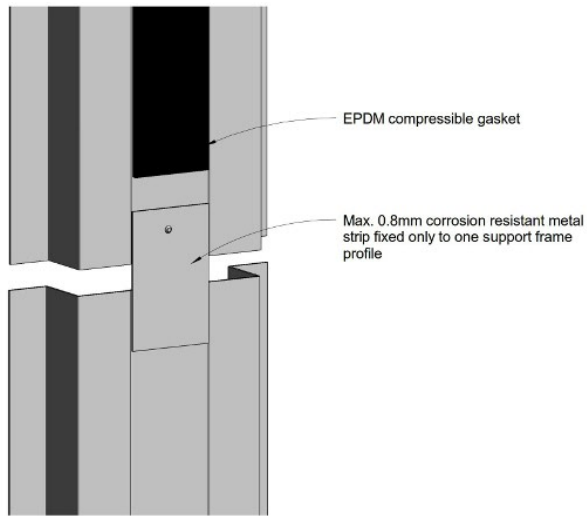


Figure 11: EPDM gasket support over control joint or the like

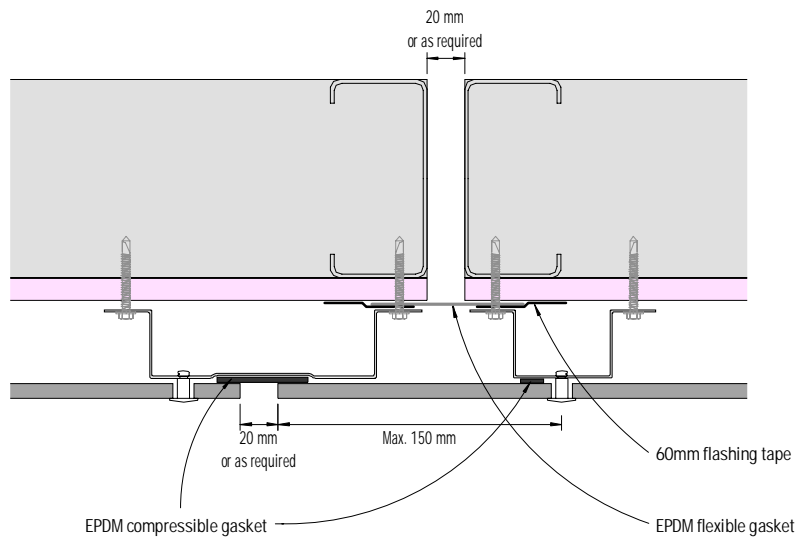


Figure 12: Vertical control joint

Notes

- 1) Support frame profiles and Siniat Weather Defence must NOT be fixed crossing over a control joint nor to a deflection head.
- 2) Allowance for movement at the location of any control joint must be made in the cladding and its support frame design and installation. Panel must NOT be fixed bridging over any control joint.

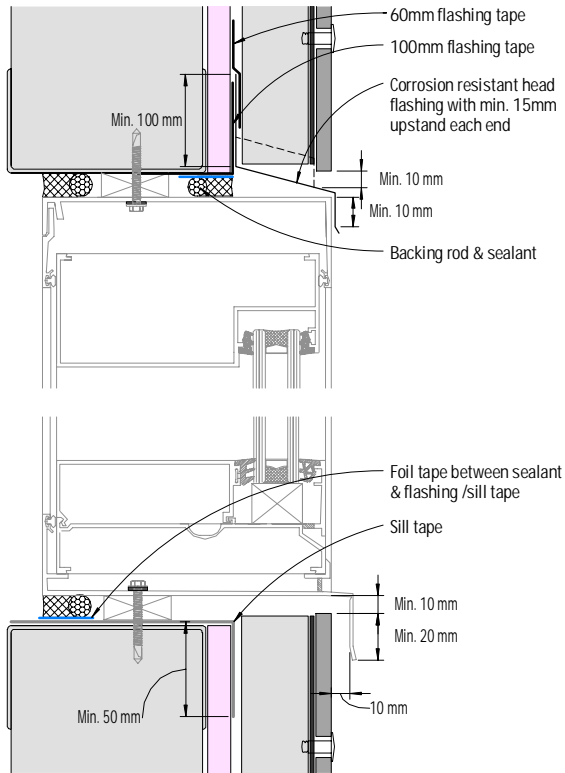


Figure 13: Flush window - Head and sill

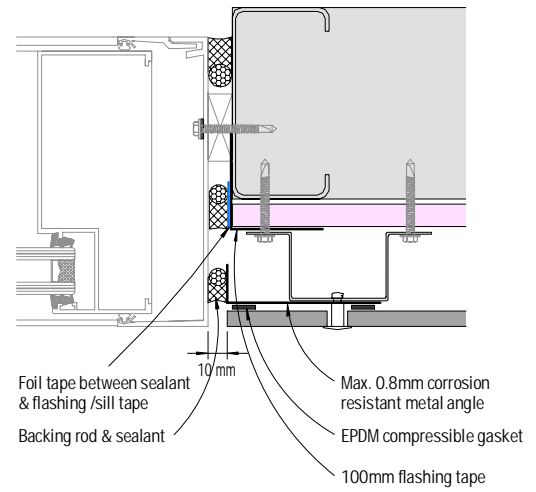


Figure 14: Flush window - Jamb

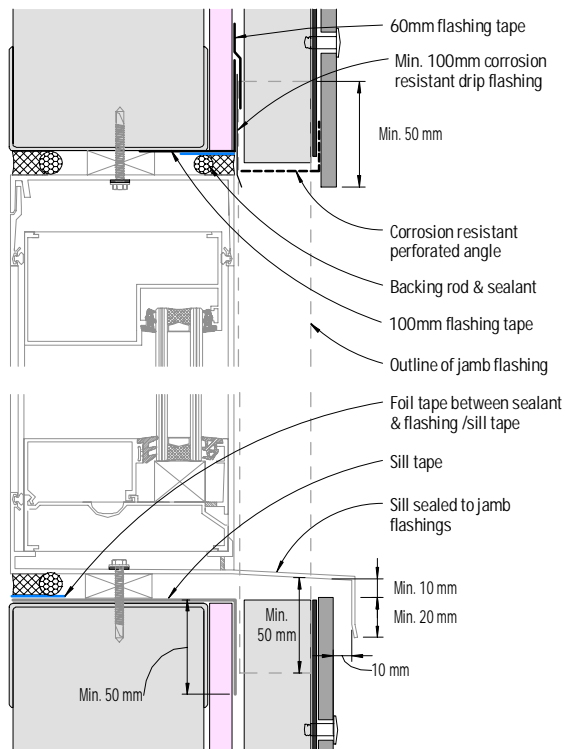


Figure 15: Recessed window - Head and sill

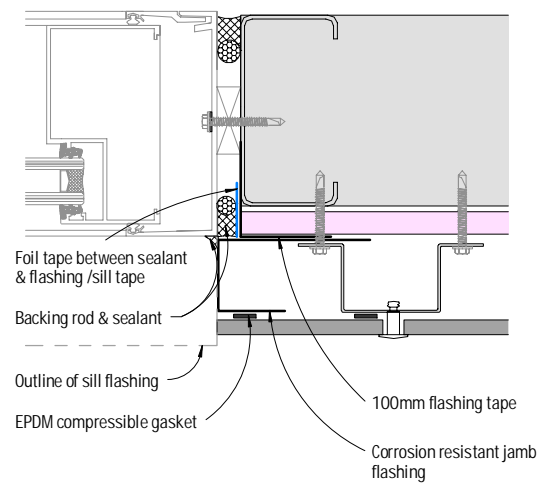


Figure 16: Recessed window - Jamb

Note

ONLY sealant compatible with the foil tape should be used. Should any sealant be intended to be used directly on the flashing and/or sill tape it must be confirmed with its manufacturer to ensure compatibility with these tapes in accordance with the relevant standards.

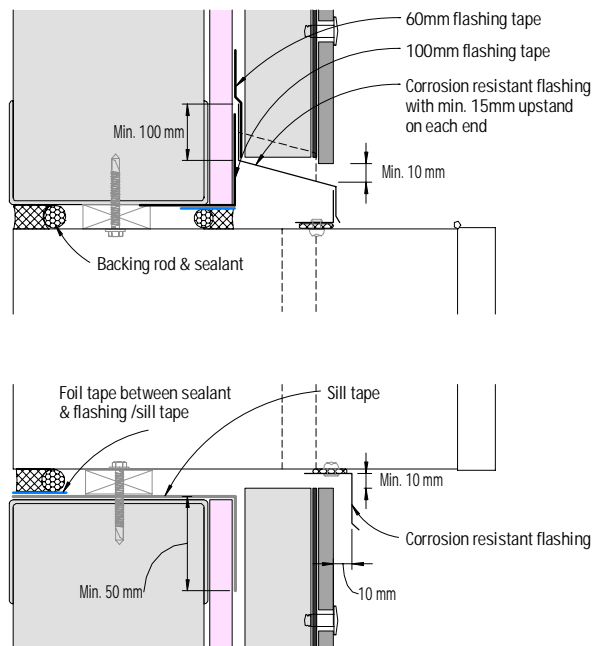


Figure 17: Meter box - Section

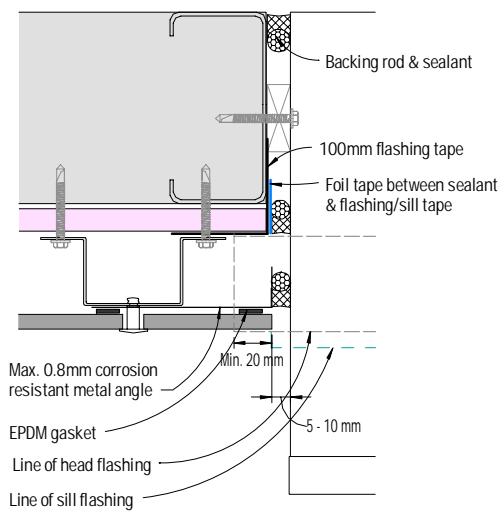


Figure 18: Meter box - Plan view - Detail 1

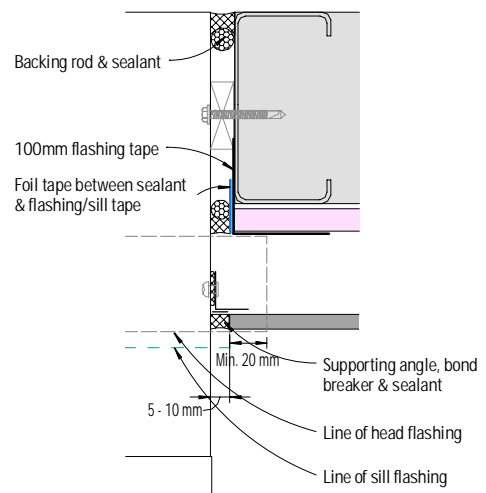


Figure 19: Meter box - Plan view - Detail 2

Note

ONLY sealant compatible with the foil tape should be used. Should any sealant be intended to be used directly on the flashing and/or sill tape it must be confirmed with its manufacturer to ensure compatibility with these tapes in accordance with the relevant standards.

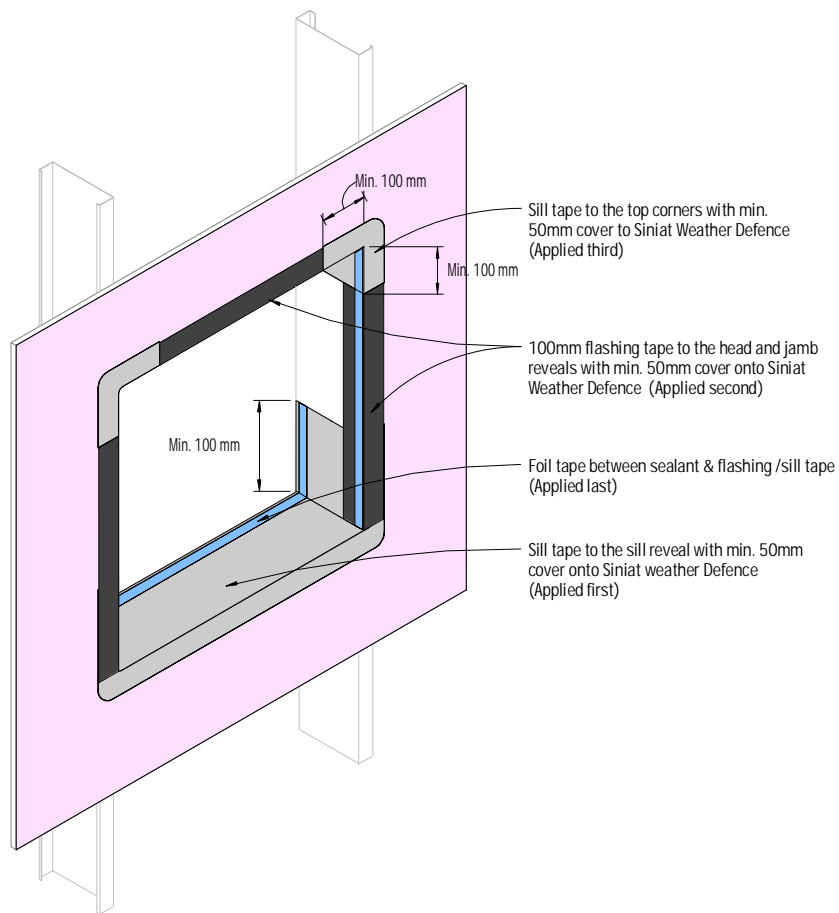


Figure 20: Isometric view of window/meter box opening - Tape application

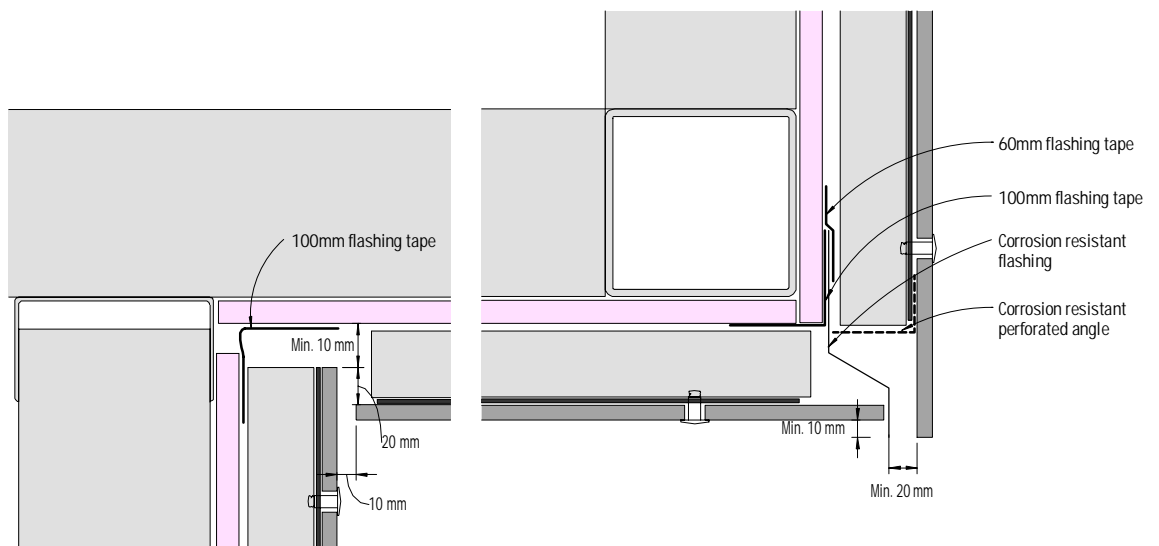


Figure 21: Soffit junction

Notes

- 1) ONLY sealant compatible with the foil tape should be used. Should any sealant be intended to be used directly on the flashing and/or sill tape it must be confirmed with its manufacturer to ensure compatibility with these tapes in accordance with the relevant standards.
- 2) Support frame profiles and Siniat Weather Defence must NOT be fixed crossing over a control joint nor to a deflection head.
- 3) Corrosion resistant perforated angle shall be of similar metal as that of the support frame (or of adequate protective coating) to prevent bimetallic corrosion, be of max. thickness of 0.8mm where located between panel and support frame, and be of min. 50% open area.

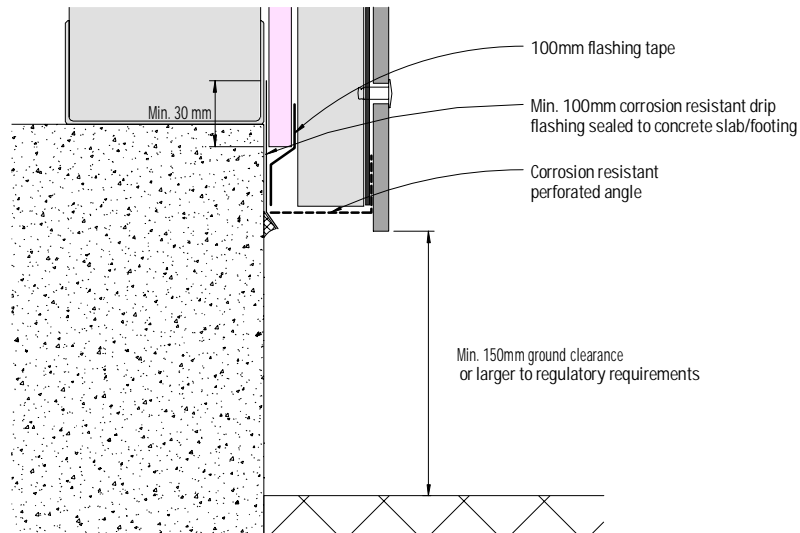


Figure 22: Base detail

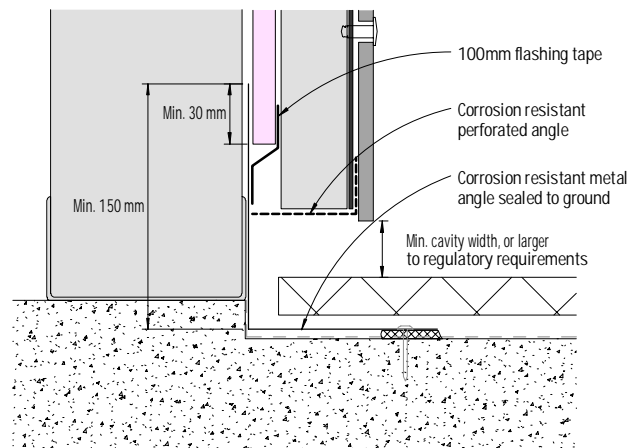


Figure 23: Base detail - Covered area

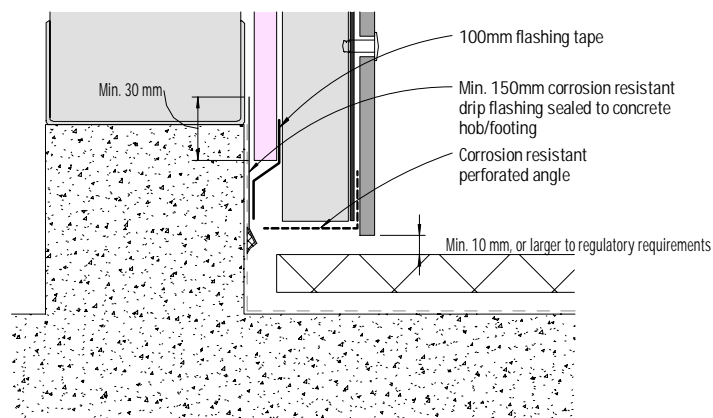


Figure 24: Base detail - Balcony

Notes

- 1) For EQUITONE [materia], minimum ground clearance is **300mm**.
- 2) Corrosion resistant perforated angle shall be of similar metal as that of the support frame (or of adequate protective coating) to prevent bimetallic corrosion, be of max. thickness of 0.8mm where located between panel and support frame, and be of min. 50% open area.

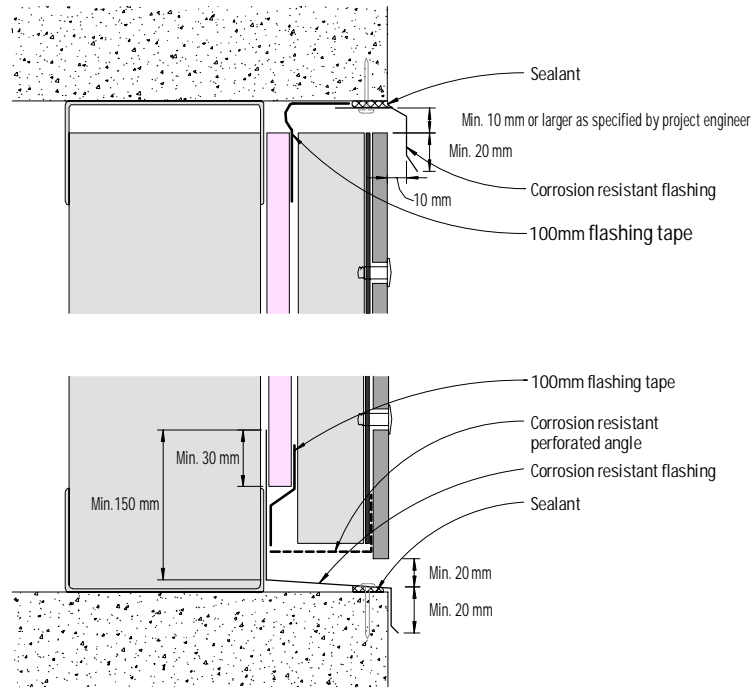


Figure 25: Exposed slab junction - Cladding flush

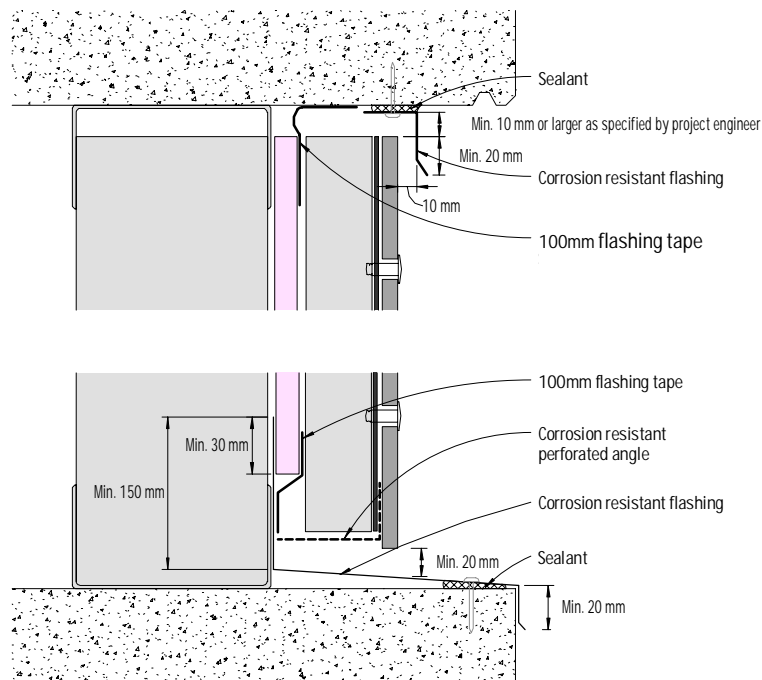


Figure 26: Exposed slab junction - Cladding recessed

Notes

- 1) Refer to Pro Clima's flashing tape application guide for any pre-treatment required on concrete or masonry for the application of the flashing tape onto these substrates.
- 2) Support frame profiles and Siniat Weather Defence must NOT be fixed crossing over a control joint nor to a deflection head.
- 3) Corrosion resistant perforated angle shall be of similar metal as that of the support frame (or of adequate protective coating) to prevent bimetallic corrosion, be of max. thickness of 0.8mm where located between panel and support frame, and be of min. 50% open area.

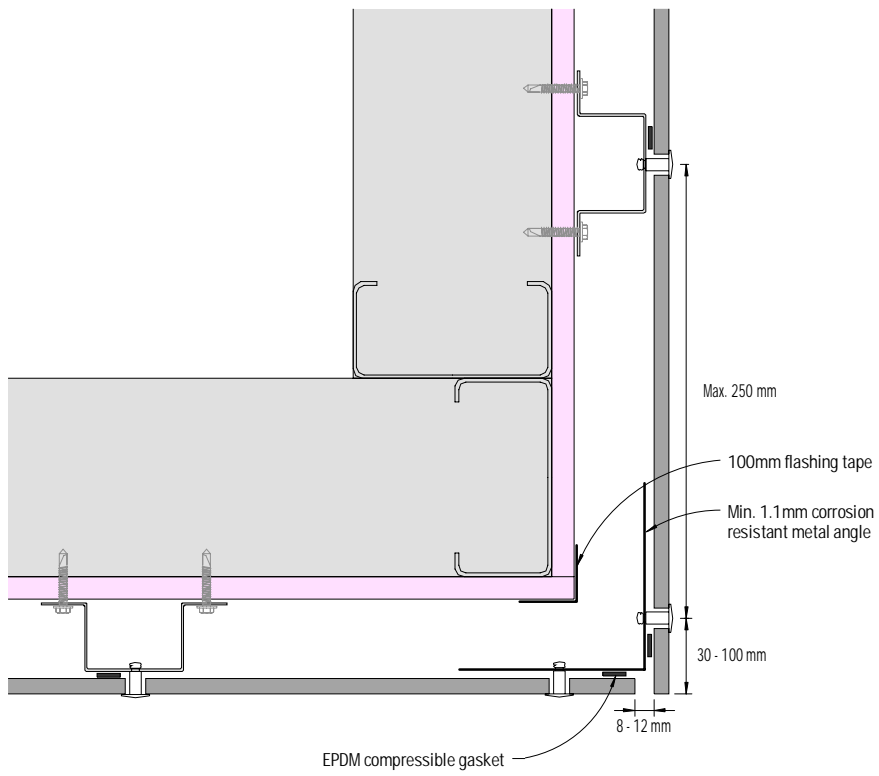


Figure 27: External corner - Detail 1

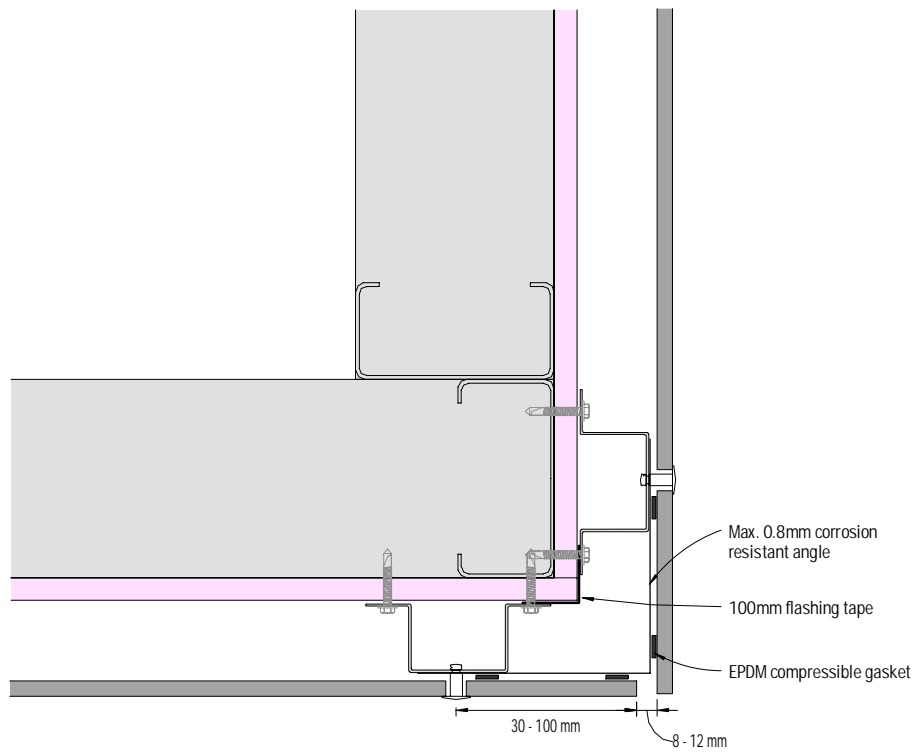


Figure 28: External corner - Detail 2

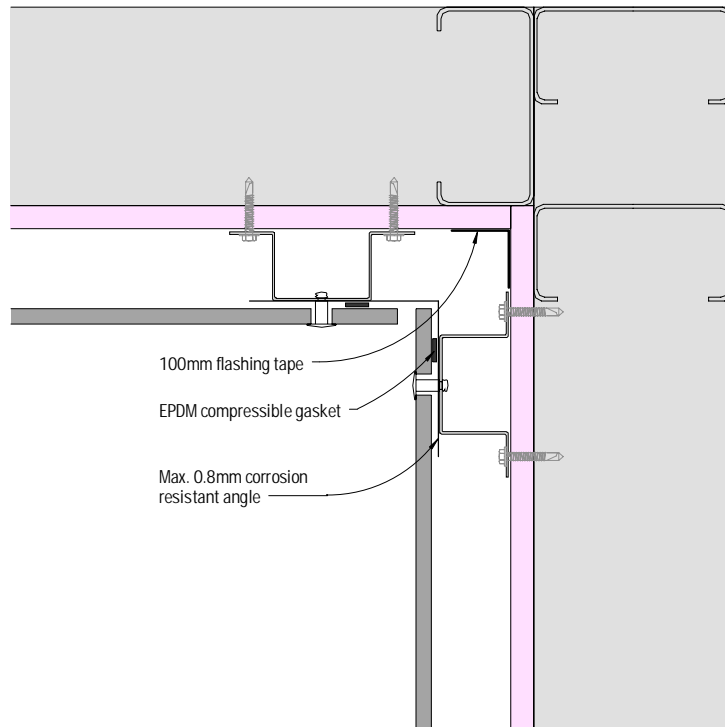


Figure 29: Internal corner

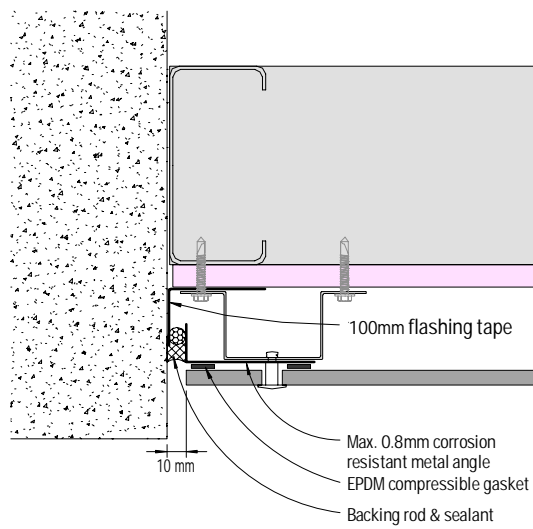


Figure 30: Abutment

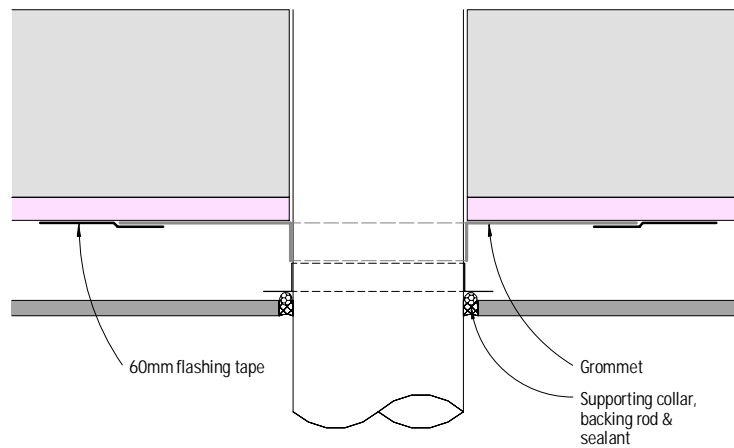


Figure 31: Pipe penetration - Plan view

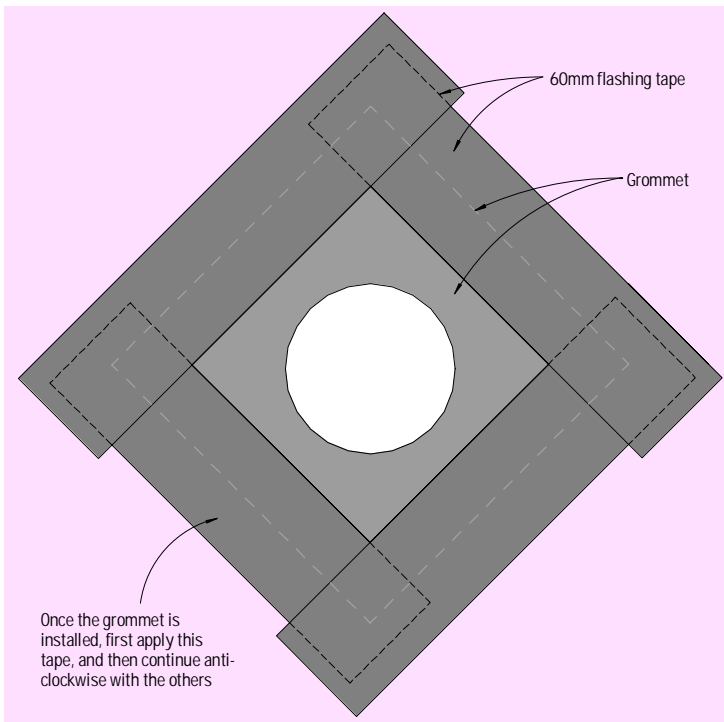


Figure 32: Pipe penetration - Elevation

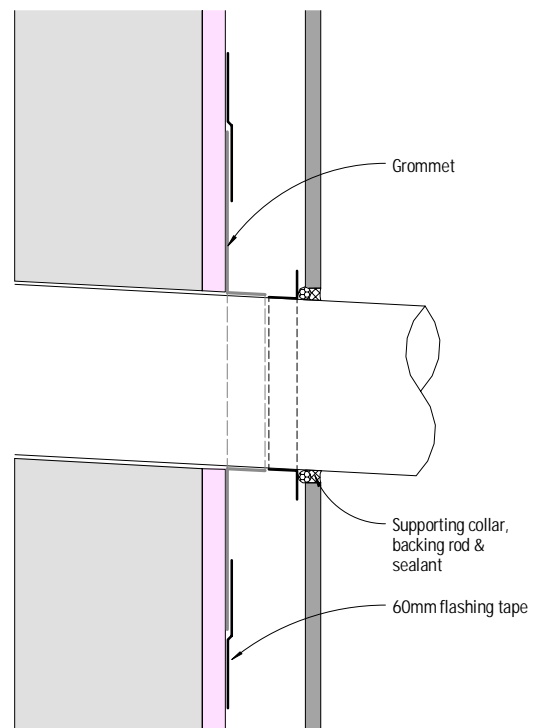


Figure 33: Pipe penetration - Section

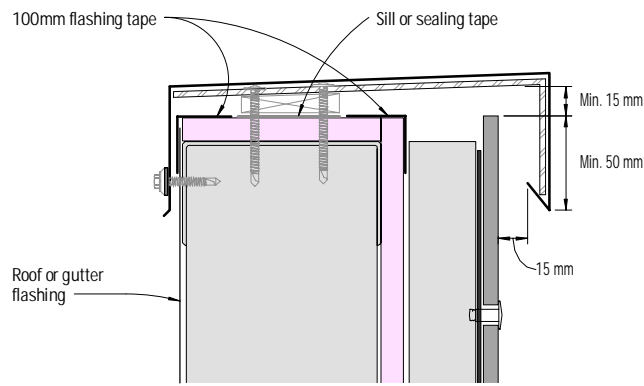


Figure 34: Capping - Detail 1 *

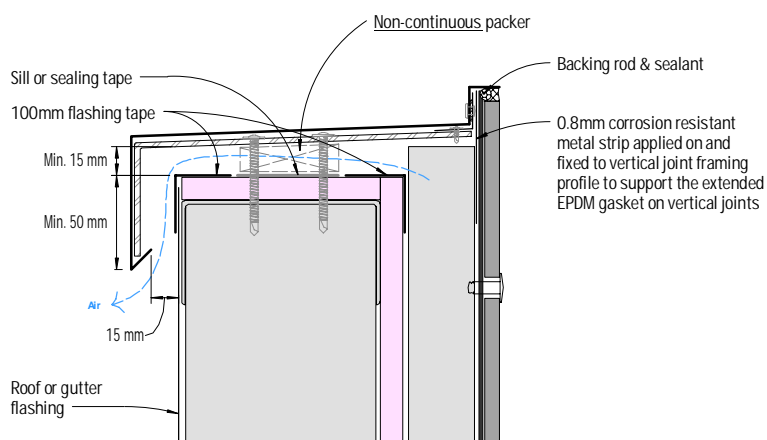


Figure 35: Capping - Detail 2
(Not suitable for EQUITONE [material])

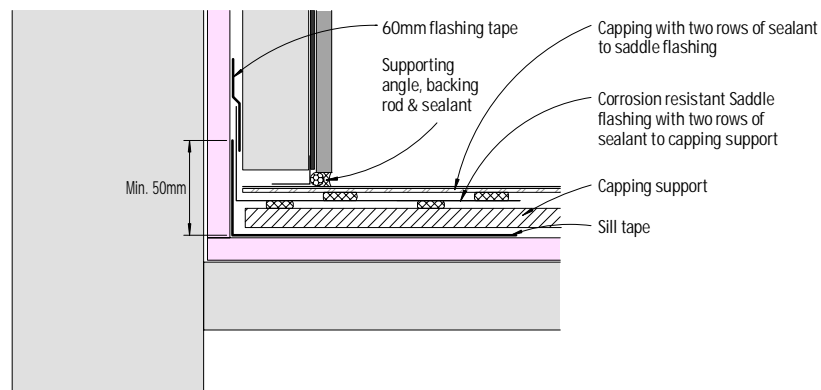


Figure 36: Parapet junction - Section

Note

1) For EQUITONE [material], the following capping dimensions should be followed.

- A minimum 20mm between panel face and rear of the capping
- A minimum 50mm overlap with the panel for building up to 8m
- A minimum 80mm overlap with the panel for building up to 20m
- A minimum 100mm overlap with the panel for building over 20m

2) Capping detail '2' will involve further maintenance requirement in order to maintain the seal at the interface with the panel. Any deterioration of the sealant may result in panel staining, and will compromise the weatherproofing performance. Use UV stable and resistant external grade sealant.

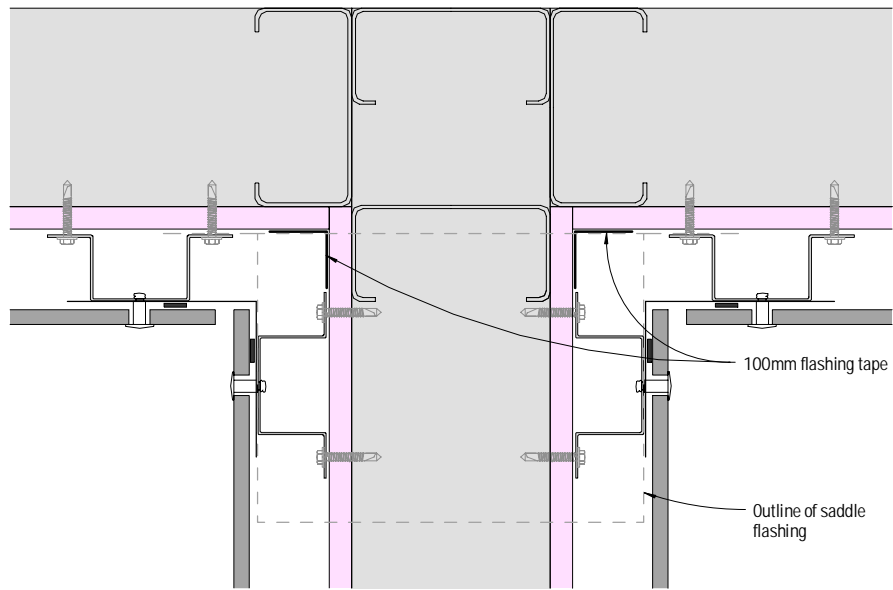


Figure 37: Parapet junction - Plan view

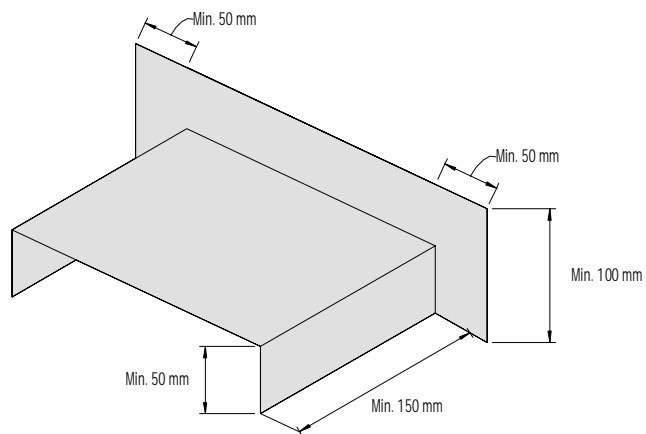
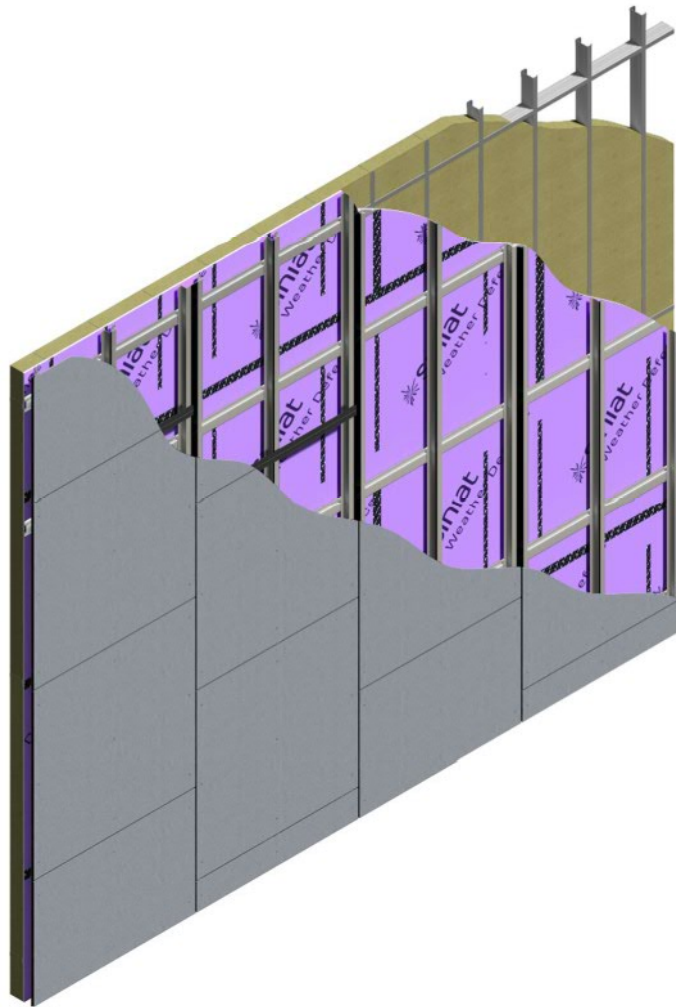


Figure 38: Corrosion resistant saddle flashing

EQUITONE system



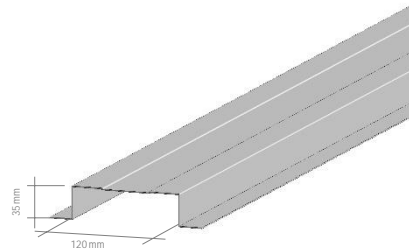
Siniat WEATHER DEFENCE® rigid air barrier

double layer top hat construction

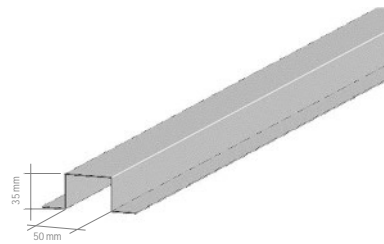
Support frame

Top hat profiles

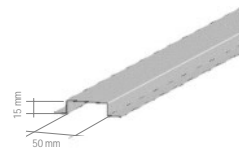
120 x 35 mm, minimum 1.1mm BMT



50 x 35 mm, minimum 1.1mm BMT



50 x 15 mm, minimum 1.1mm BMT



Notes

Maximum deflection limit of the support frame under influence of load is $\text{Span}/250$.

Support frame and its connection to substructure shall be designed by project engineer in accordance with the relevant standards.

Refer to UNI Rivet span tables for maximum vertical and horizontal spacing of panel fixings.

Top hat shall be compliant with AS/NZS 4600:2018 – Cold-formed steel structures.

Drawings index

Detail	Figure	Page
Baffled horizontal joint	1	76
Baffled horizontal joint junction with vertical joint - Elevation	2	76
Open horizontal joint	3	76
Open horizontal joint junction with vertical joint - Elevation	4	76
Vertical joint - Detail 1	5	77
Vertical joint - Detail 2	6	77
Vertical joint - Detail 3	7	77
Intermediate panel fixings connection	8	77
Horizontal control joint - Detail 1	9	78
Horizontal control joint - Detail 2	10	78
EPDM gasket support over control joint or the like	11	79
Vertical control joint	12	79
Flush window - Head and sill	13	80
Flush window - Jamb	14	80
Recessed window - Head and sill	15	80
Recessed window - Jamb	16	80
Meter box - Section	17	81
Meter box - Plan view - Detail 1	18	81
Meter box - Plan view - Detail 2	19	81
Isometric view of window/meter box opening - Tape application	20	82
Soffit junction	21	82
Base detail	22	83
Base detail - Covered area	23	83
Base detail - Balcony	24	83
Exposed slab junction - Cladding flush	25	84
Exposed slab junction - Cladding recessed	26	84
External corner - Detail 1	27	85
External corner - Detail 2	28	85
Internal corner	29	86
Abutment	30	86
Pipe penetration - Plan view	31	87
Pipe penetration - Elevation	32	87
Pipe penetration - Section	33	87
Capping - Detail 1	34	88
Capping - Detail 2	35	88
Parapet junction - Section	36	88
Parapet junction - Plan view	37	89
Corrosion resistant saddle flashing	38	89

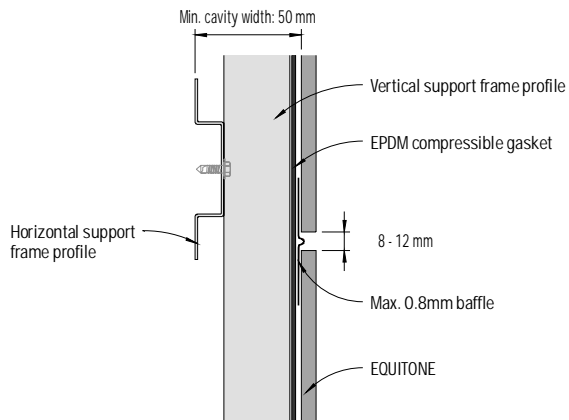


Figure 1: Baffled horizontal joint
(Not suitable for EQUITONE [material])

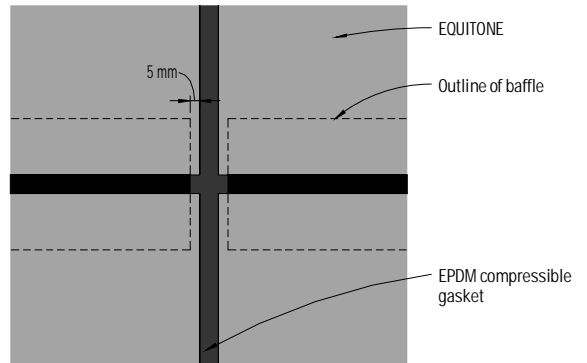


Figure 2: Baffled horizontal joint
junction with vertical joint - Elevation

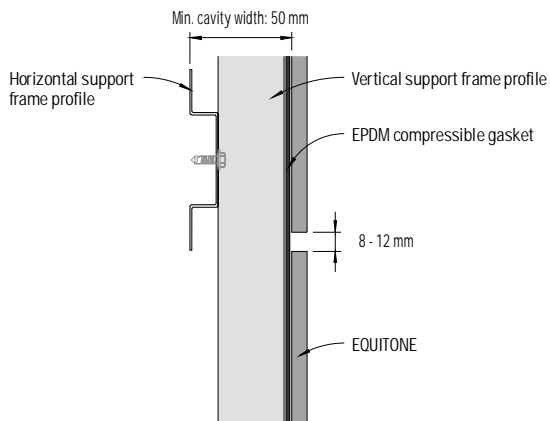


Figure 3: Open horizontal joint

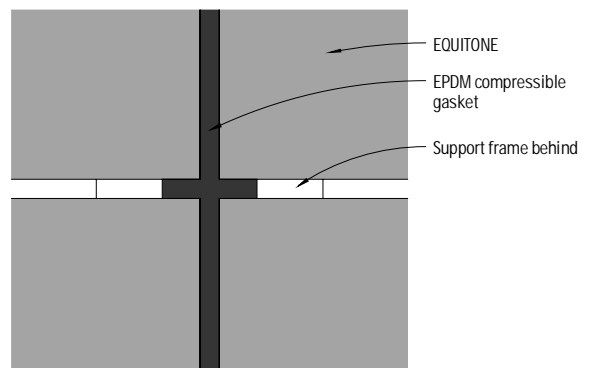


Figure 4: Open horizontal joint junction
with vertical joint - Elevation

Notes

- 1) In open horizontal joint design visible part of the support frame and weather barrier may be coated black with suitable paint.
- 2) The length of support frame profiles must NOT exceed 3,150mm.
- 3) For connecting vertical profile to the horizontal one use a screw that does not penetrate the weather barrier to prevent unnecessary penetrations through the weather barrier.

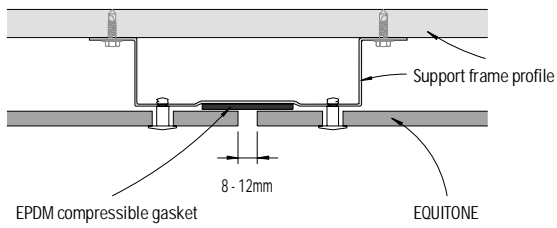


Figure 5: Vertical joint - Detail 1

Intermediate (narrow) EPDM compressible gasket may be applied as shown in dashed line, replacing the wide one, where the metal strip behind is of desired colour

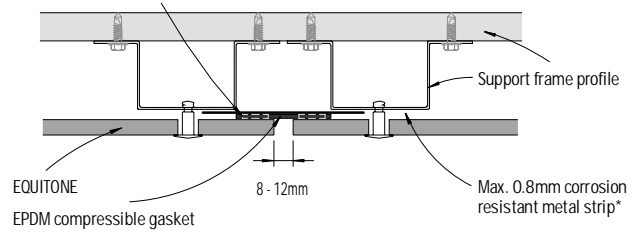


Figure 6: Vertical joint - Detail 2

Intermediate (narrow) EPDM compressible gasket may be applied as shown in dashed line, replacing the wide one, where the metal strip behind is of desired colour

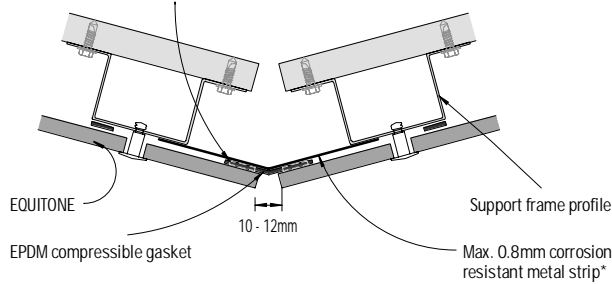


Figure 7: Vertical joint - Detail 3

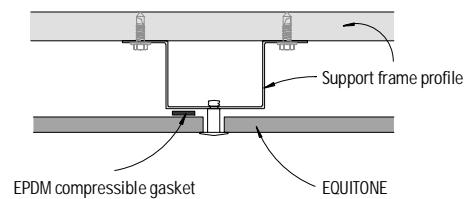


Figure 8: Intermediate panel fixings connection

Notes

- 1) In Figure 6 & 7, the metal strip should be fixed ONLY to one of the support frame profiles (either left or right) where allowance for horizontal and/or vertical movement of the cladding frame is required.
- 2) EPDM compressible gasket strip is applied away from the panel hole, and usually to one side of the support frame profile as shown in Figure 8.

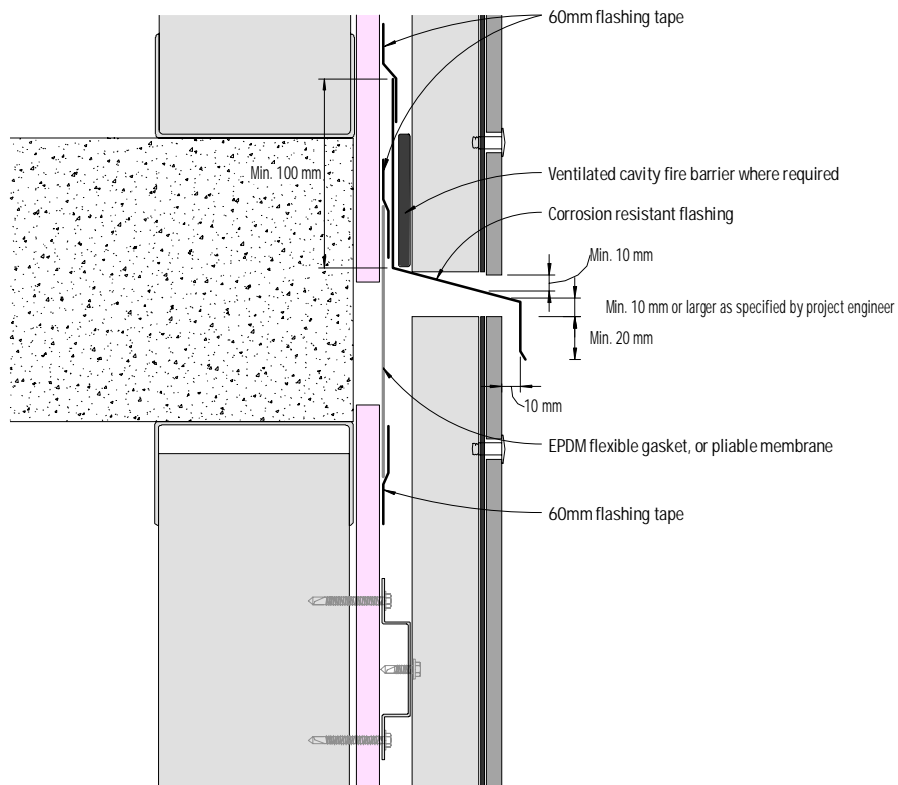


Figure 9: Horizontal control joint - Detail 1

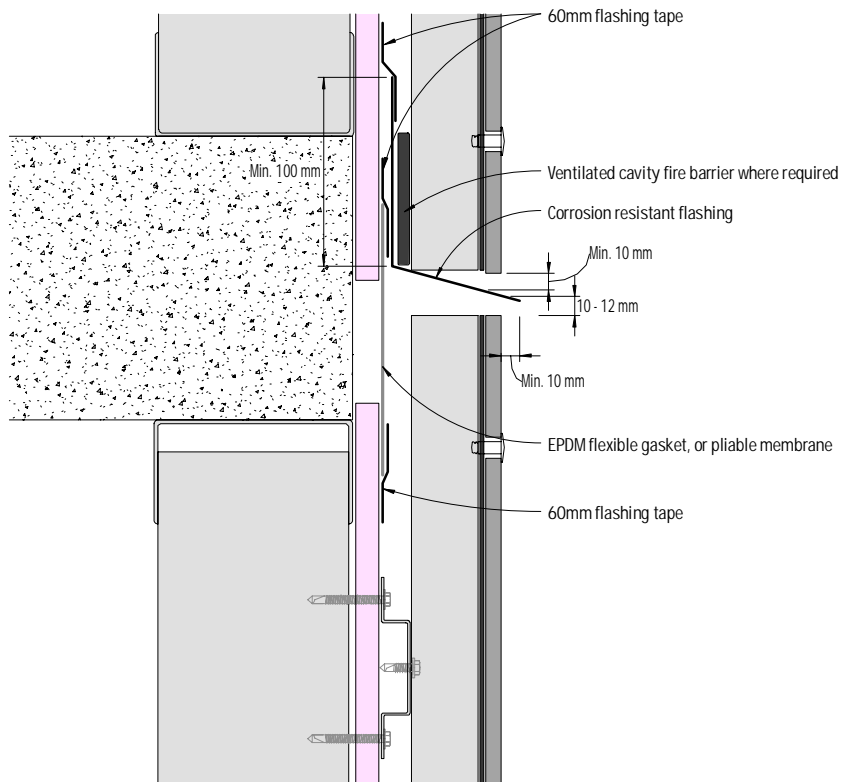


Figure 10: Horizontal control joint - Detail 2

Notes

- 1) Support frame profiles and Siniat Weather Defence must NOT be fixed crossing over a control joint nor to a deflection head.
- 2) Allowance for movement at the location of any control joint must be made in the cladding and its support frame design and installation. Panel must NOT be fixed bridging over any control joint.
- 3) In Figure 10, should a larger gap be required under the inter-storey flashing, the weatherproofing performance of the detail shall be evaluated by project engineer.

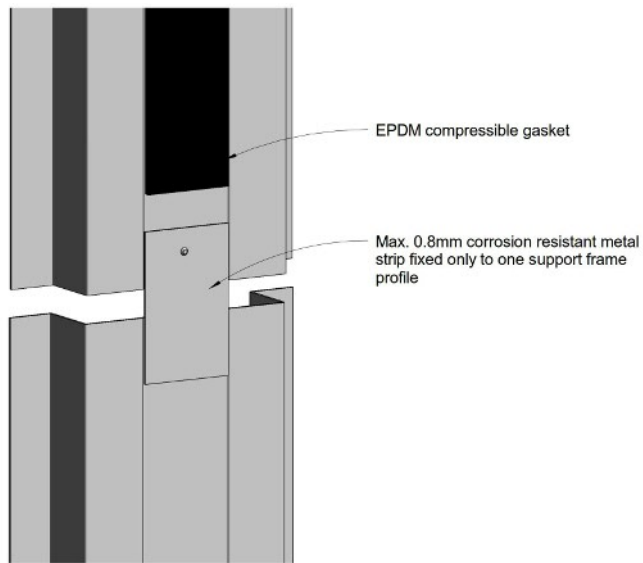


Figure 11: EPDM gasket support over control joint or the like

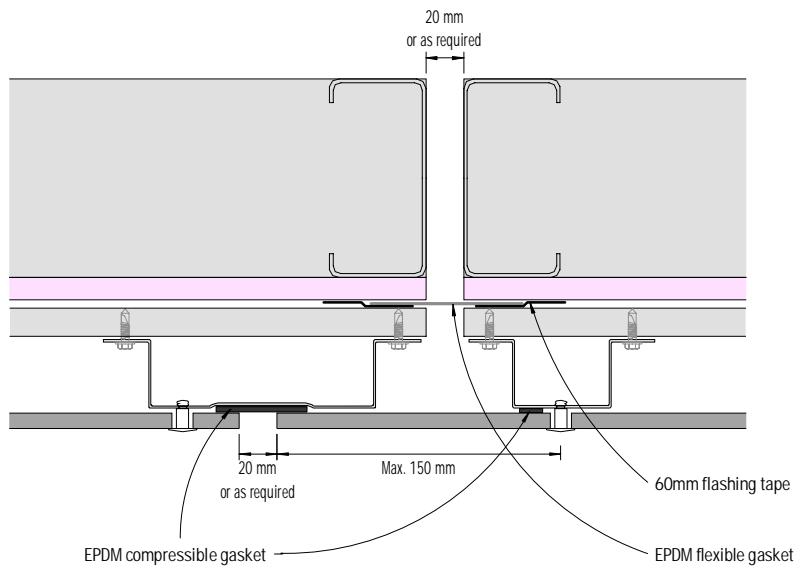


Figure 12: Vertical control joint

Notes

- 1) Support frame profiles nor Siniat Weather Defence must NOT be fixed crossing over a control joint nor to a deflection head.
- 2) Allowance for movement at the location of any control joint must be made in the cladding and its support frame design and installation. Panel must NOT be fixed bridging over any control joint.

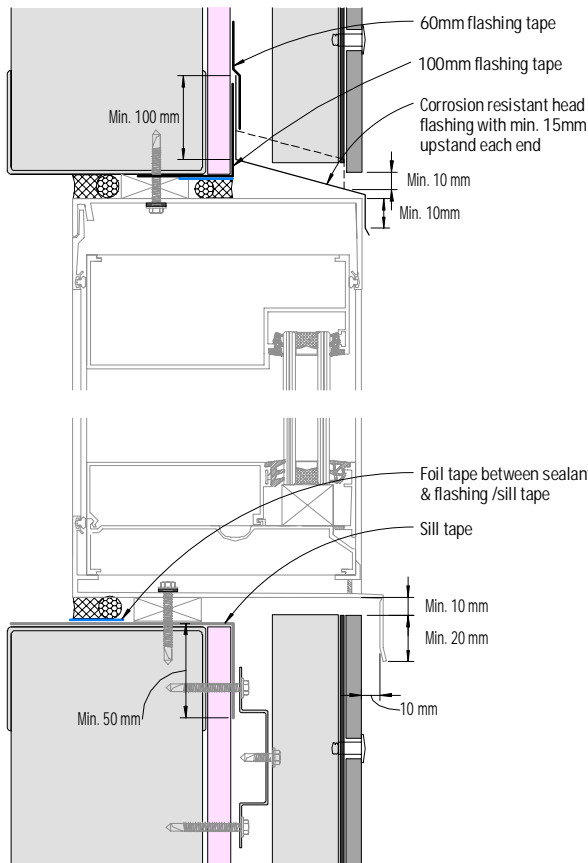


Figure 13: Flush window - Head and sill

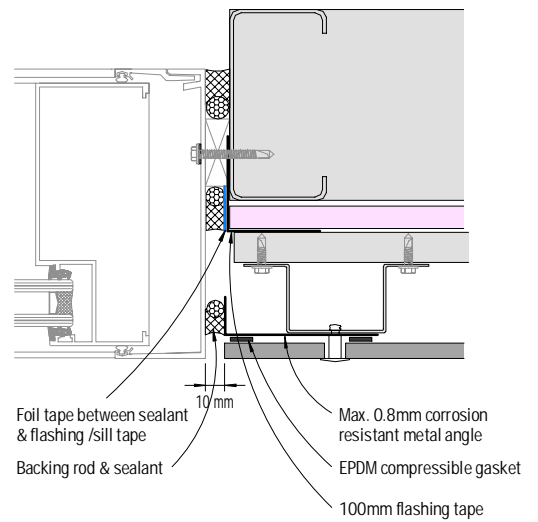


Figure 14: Flush window - Jamb

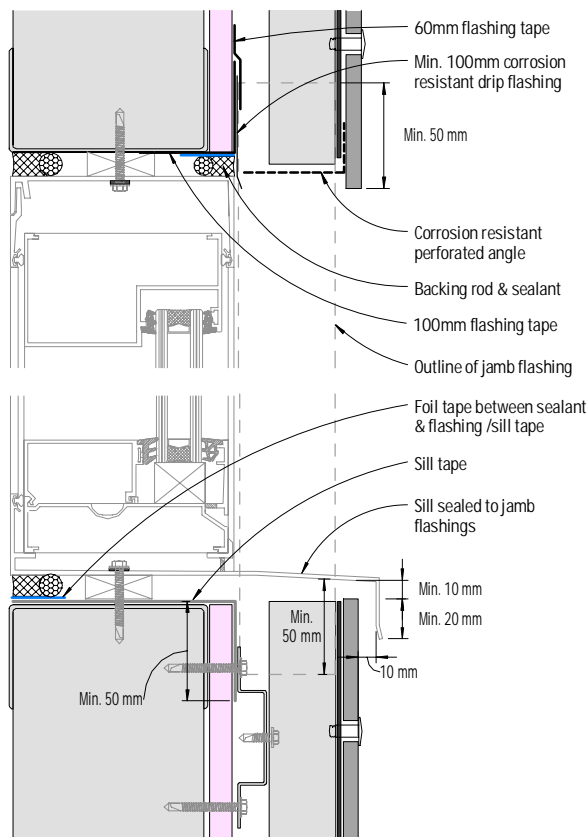


Figure 15: Recessed window - Head and sill

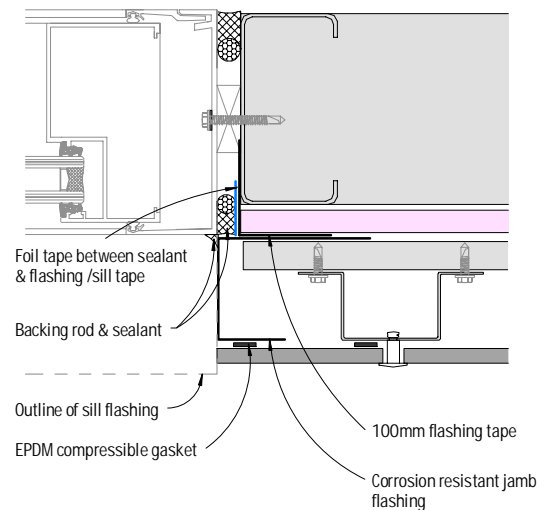


Figure 16: Recessed window - Jamb

Note

ONLY sealant compatible with the foil tape should be used. Should any sealant be intended to be used directly on the flashing and/or sill tape it must be confirmed with its manufacturer to ensure compatibility with these tapes in accordance with the relevant standards.

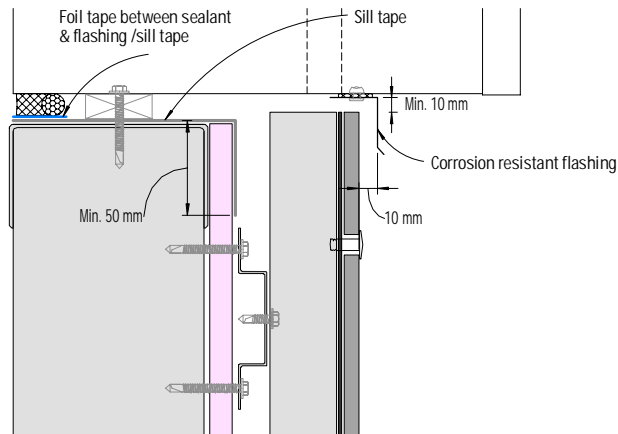
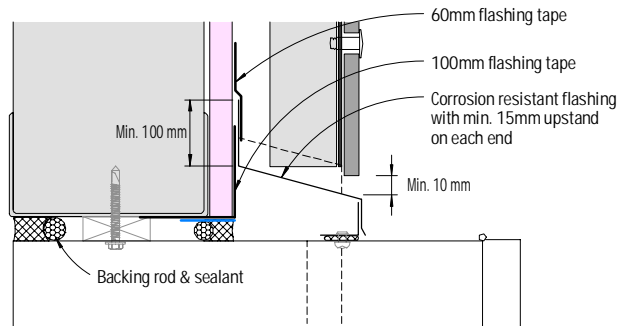


Figure 17: Meter box - Section

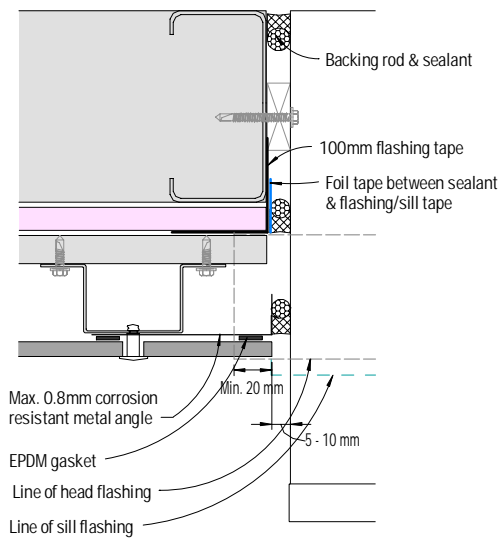


Figure 18: Meter box - Plan view - Detail 1

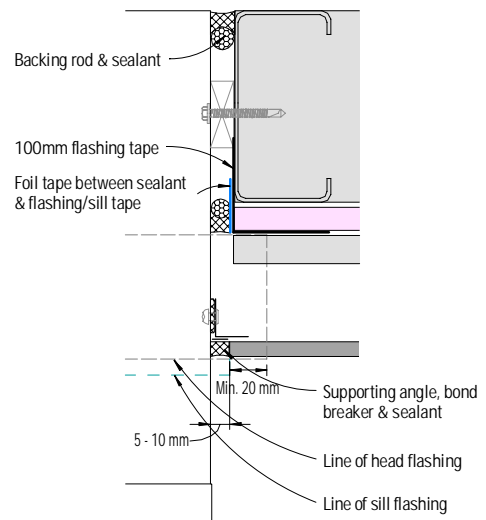


Figure 19: Meter box - Plan view - Detail 2

Note

ONLY sealant compatible with the foil tape should be used. Should any sealant be intended to be used directly on the flashing and/or sill tape it must be confirmed with its manufacturer to ensure compatibility with these tapes in accordance with the relevant standards.

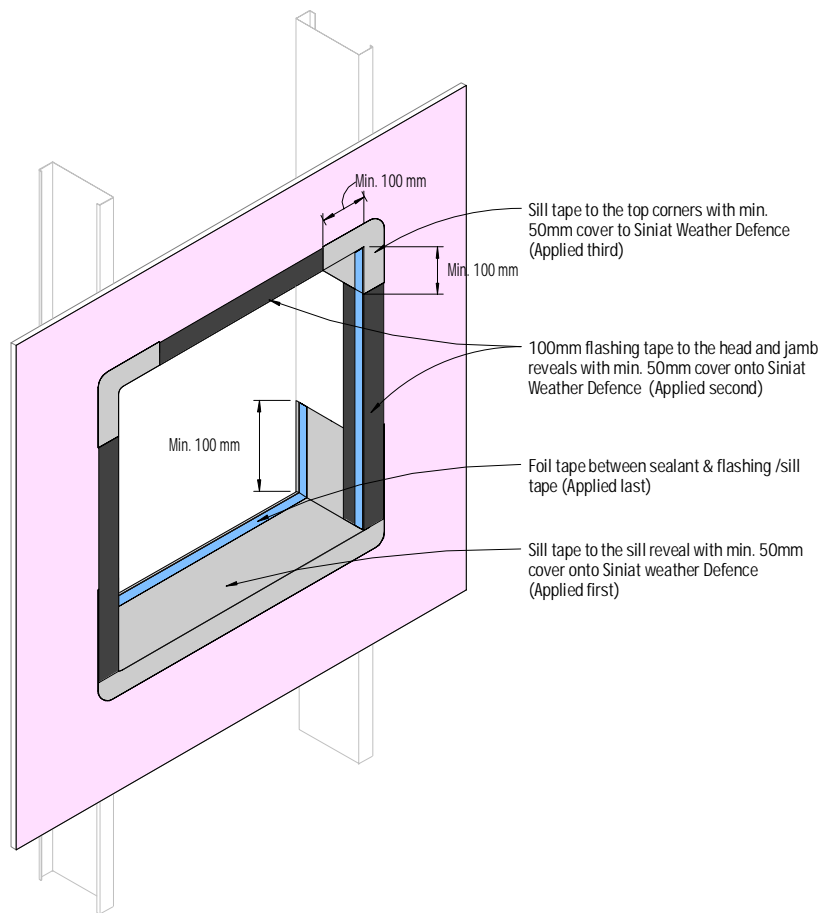


Figure 20: Isometric view of window/meter box opening - Tape application

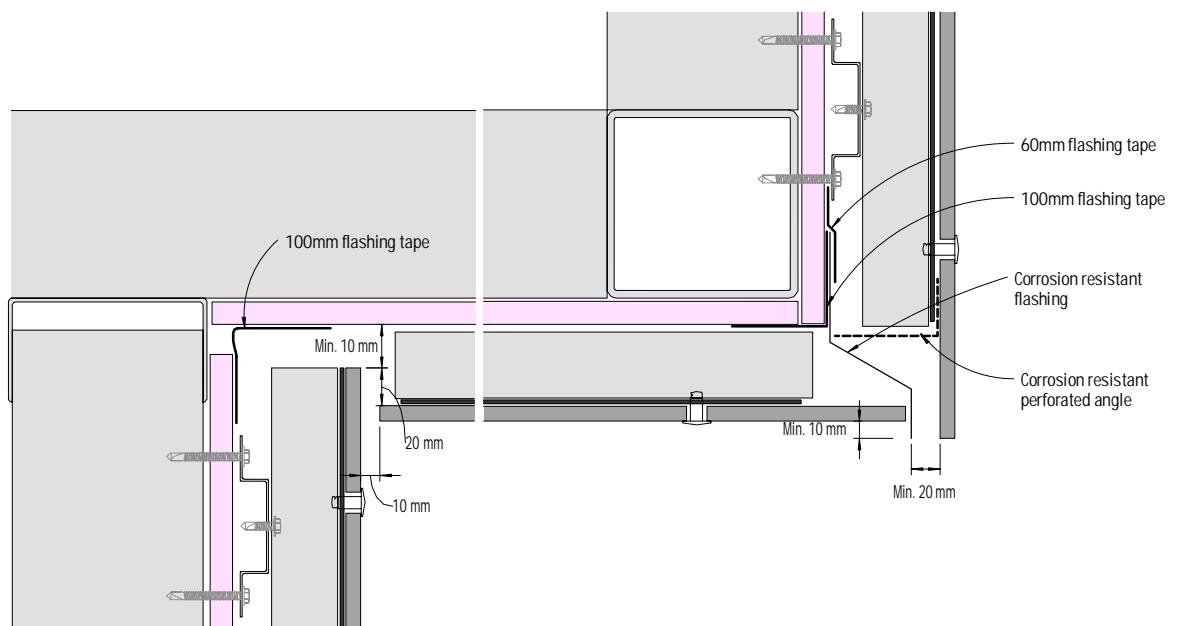


Figure 21: Soffit junction

Notes

- 1) ONLY sealant compatible with the foil tape should be used. Should any sealant be intended to be used directly on the flashing and/or sill tape it must be confirmed with its manufacturer to ensure compatibility with these tapes in accordance with the relevant standards.
- 2) Support frame profiles and Siniat Weather Defence must NOT be fixed crossing over a control joint nor to a deflection head.
- 3) Corrosion resistant perforated angle shall be of similar metal as that of the support frame (or of adequate protective coating) to prevent bimetallic corrosion, be of max. thickness of 0.8mm where located between panel and support frame, and be of min. 50% open area

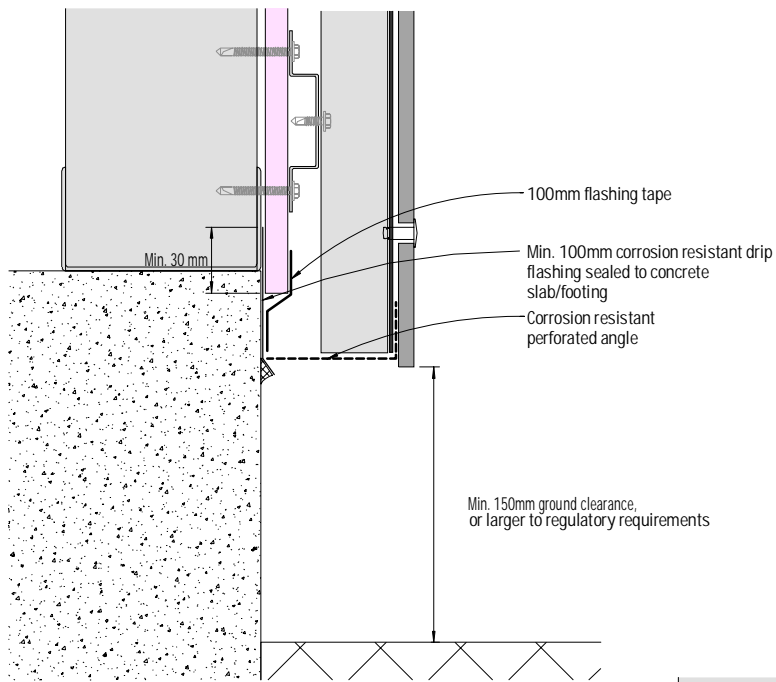


Figure 22: Base detail

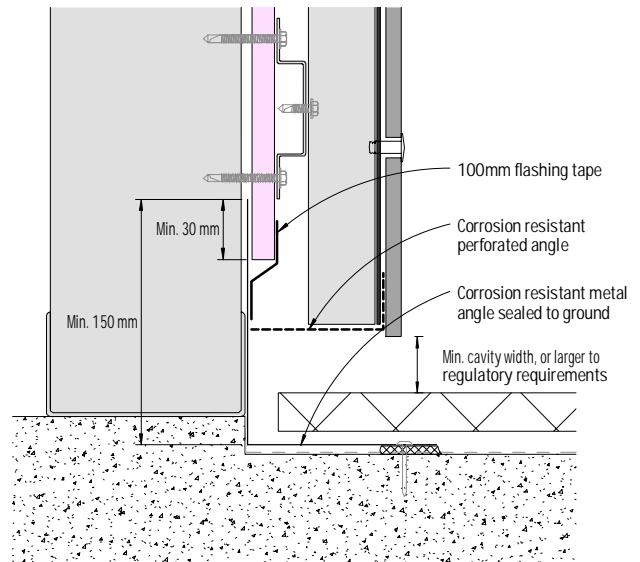


Figure 23: Base detail - Covered area

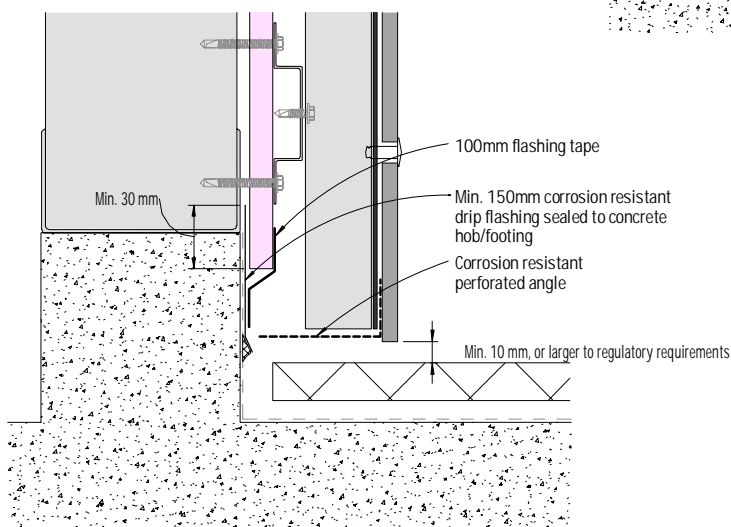


Figure 24: Base detail - Balcony

Notes

- 1) For **EQUITONE [materia]**, minimum ground clearance is **300mm**.
- 2) Corrosion resistant perforated angle shall be of similar metal as that of the support frame (or of adequate protective coating) to prevent bimetallic corrosion, be of max. thickness of 0.8mm where located between panel and support frame, and be of min. 50% open area

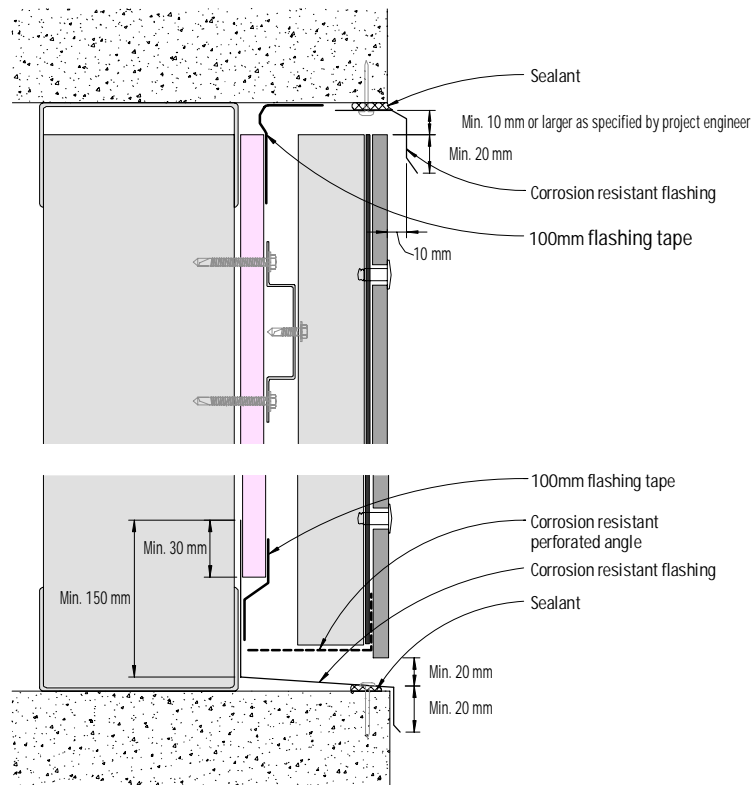


Figure 25: Exposed slab junction - Cladding flush

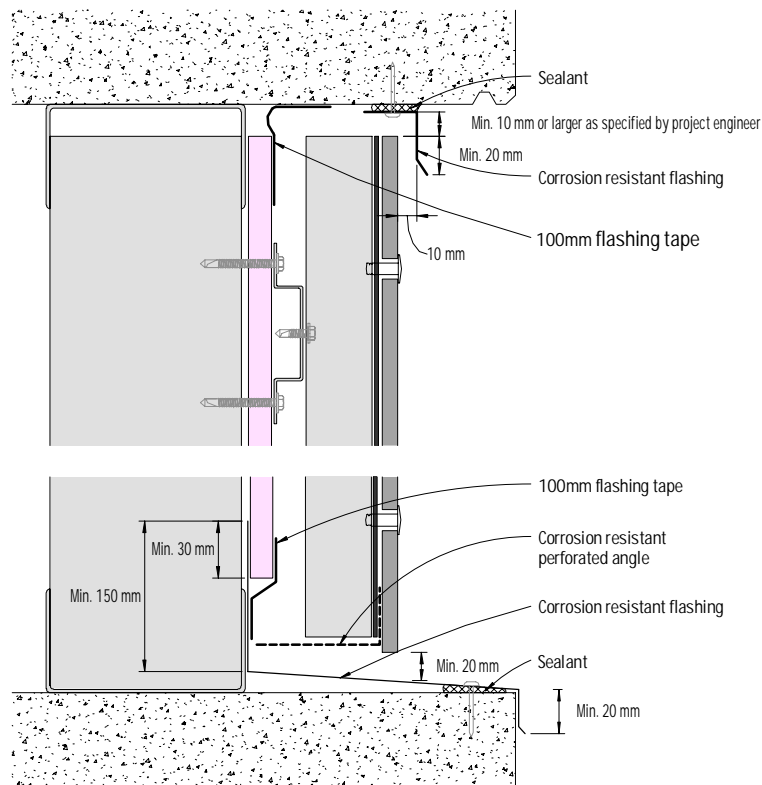


Figure 26: Exposed slab junction - Cladding recessed

Notes

- 1) Refer to Pro Clima's flashing tape application guide for any pre-treatment required on concrete or masonry for the application of the flashing tape onto these substrates.
- 2) Support frame profiles and Siniat Weather Defence must NOT be fixed crossing over a control joint nor to a deflection head.
- 3) Corrosion resistant perforated angle shall be of similar metal as that of the support frame (or of adequate protective coating) to prevent bimetallic corrosion, be of max. thickness of 0.8mm where located between panel and support frame, and be of min. 50% open area

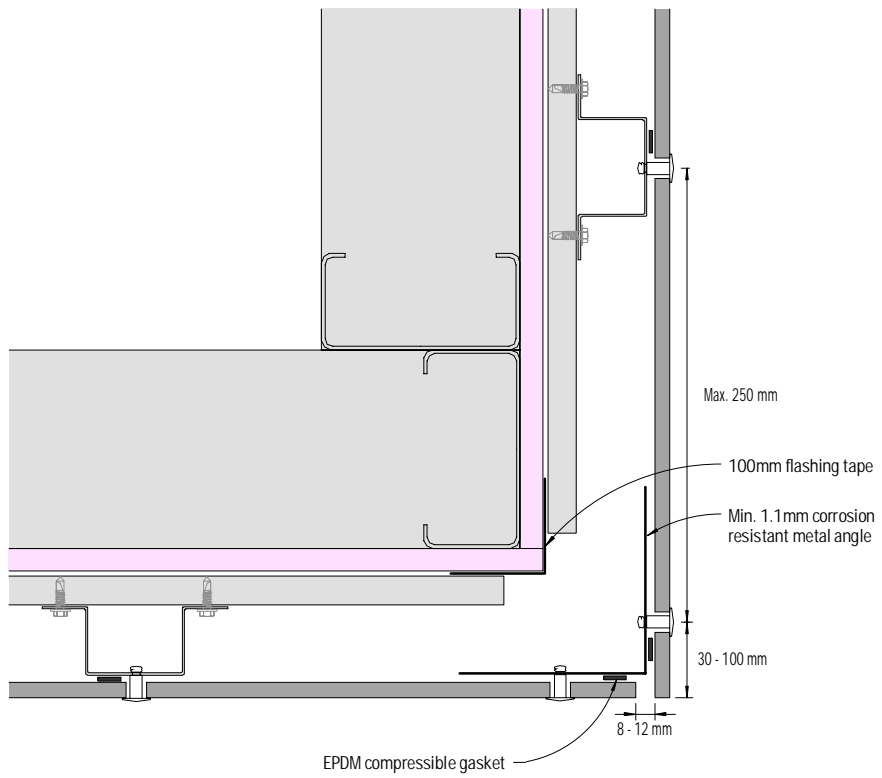


Figure 27: External corner - Detail 1

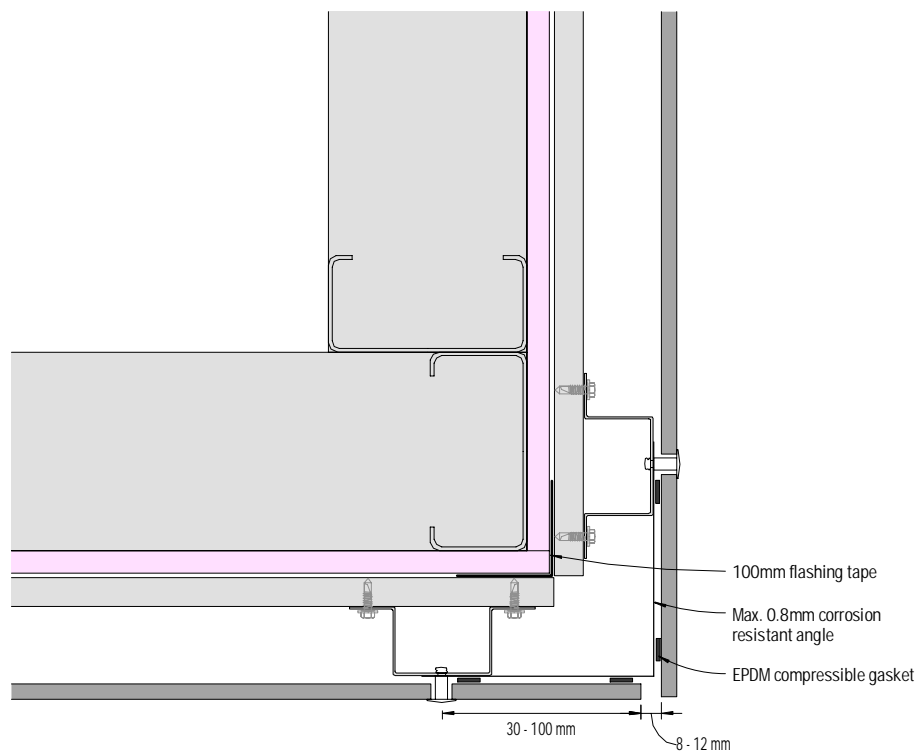


Figure 28: External corner - Detail 2

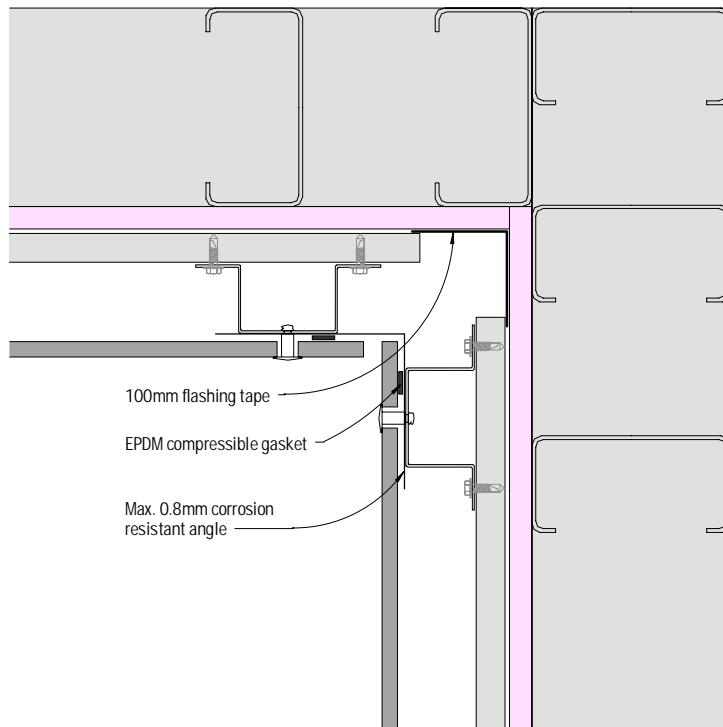


Figure 29: Internal corner

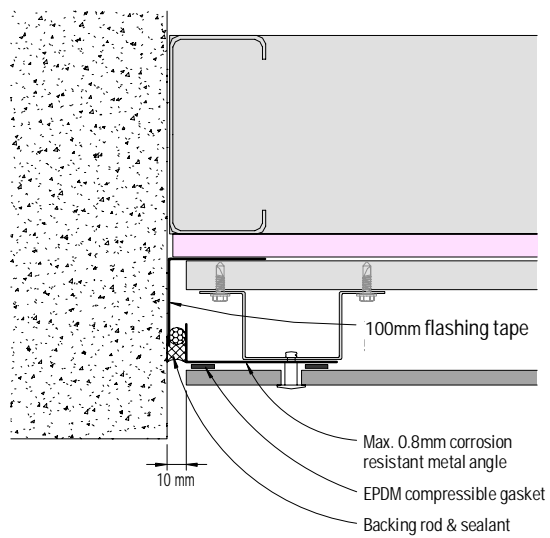


Figure 30: Abutment

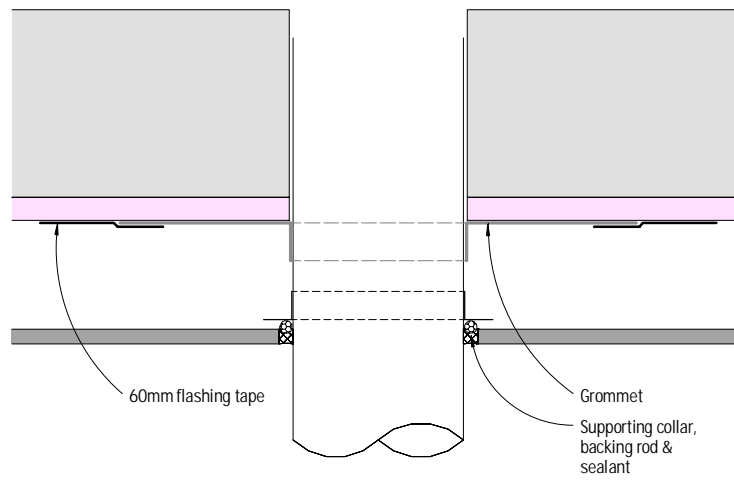


Figure 31: Pipe penetration - Plan view

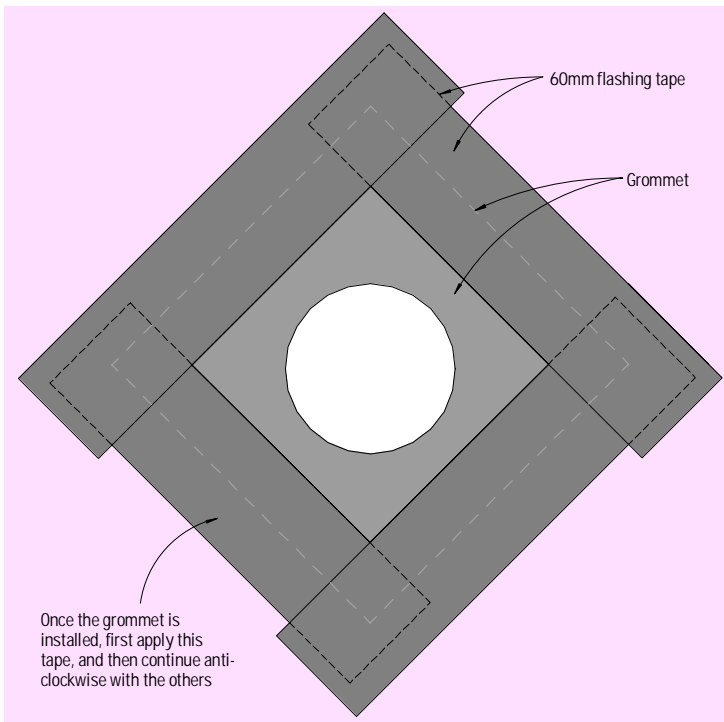


Figure 32: Pipe penetration - Elevation

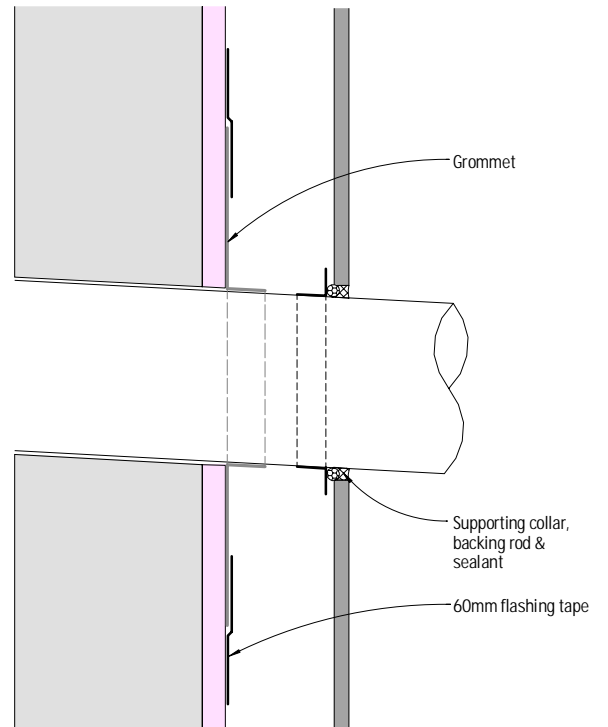


Figure 33: Pipe penetration - Section

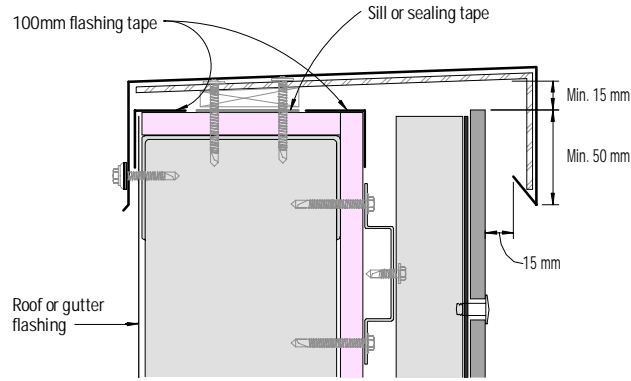


Figure 34: Capping - Detail 1 *

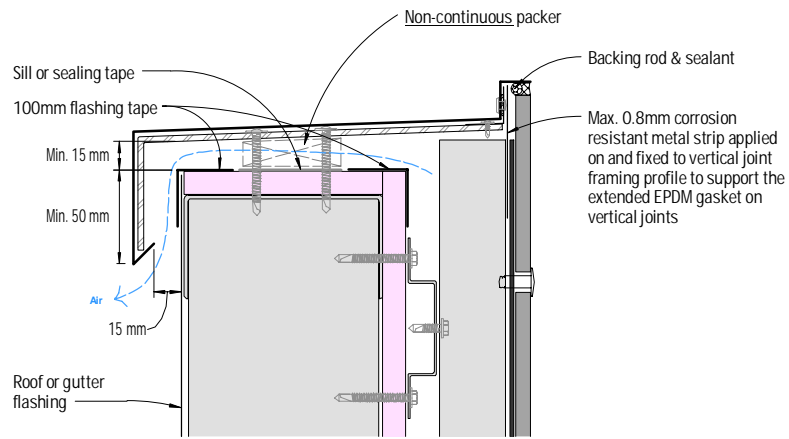


Figure 35: Capping - Detail
(Not suitable for EQUITONE [material])

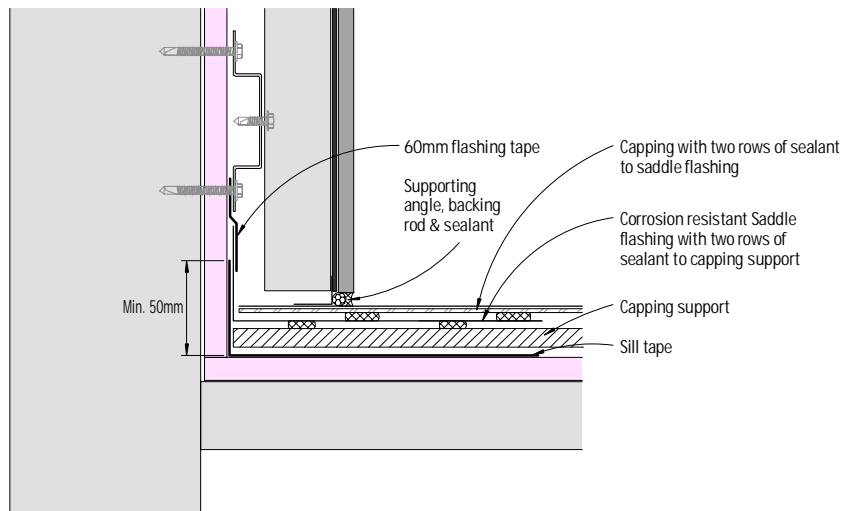


Figure 36: Parapet junction - Section

Notes

1) For EQUITONE [material], the following capping dimensions should be followed.

- A minimum 20mm between panel face and rear of the capping
- A minimum 50mm overlap with the panel for building up to 8m
- A minimum 80mm overlap with the panel for building up to 20m
- A minimum 100mm overlap with the panel for building over 20m

2) Capping detail '2' will involve further maintenance requirement in order to maintain the seal at the interface with the panel. Any deterioration of the sealant may result in panel staining, and will compromise the weatherproofing performance. Use UV stable and resistant external grade sealant.

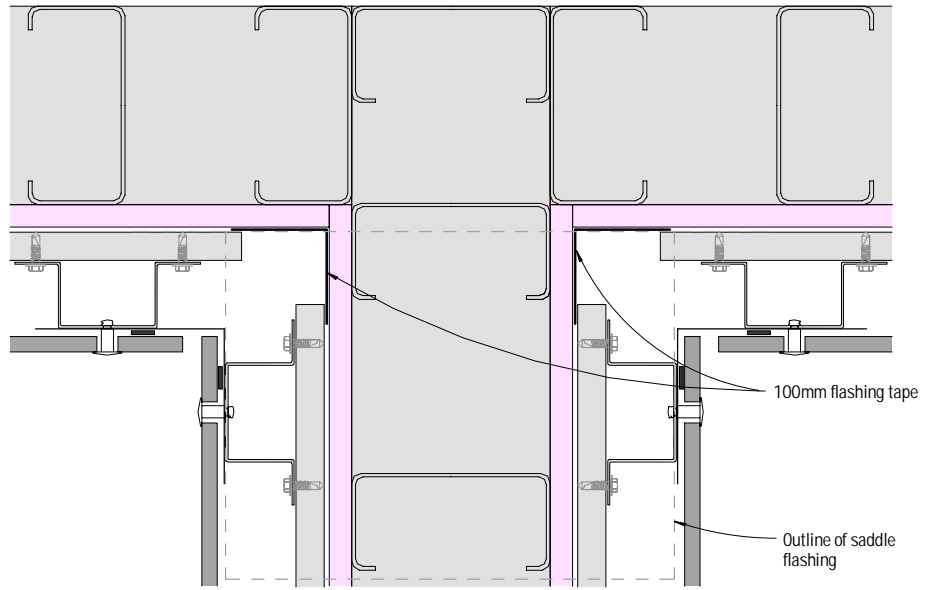


Figure 37: Parapet junction - Plan view

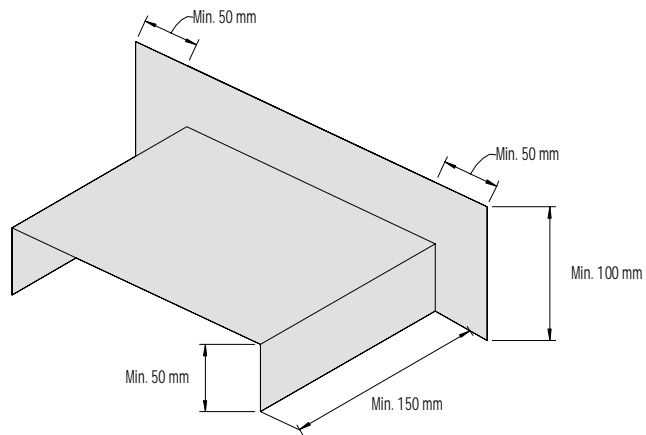
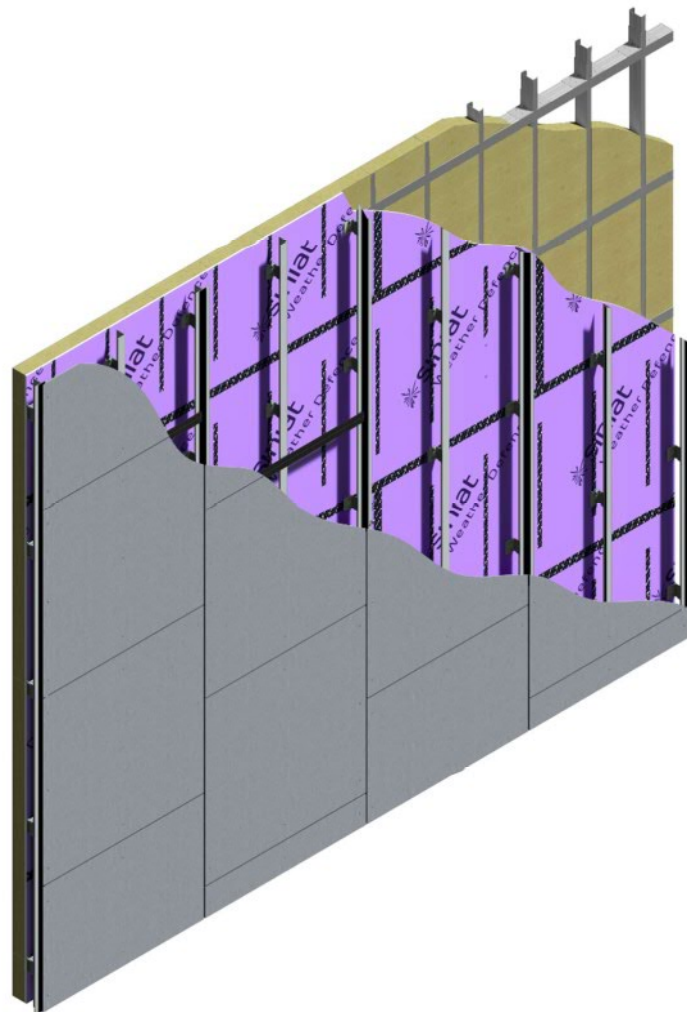


Figure 38: Corrosion resistant saddle flashing

EQUITONE system



Siniat WEATHER DEFENCE® rigid air barrier

Aluminium bracketry construction

Support frame

Aluminium bracketry system NVELOPE NV1

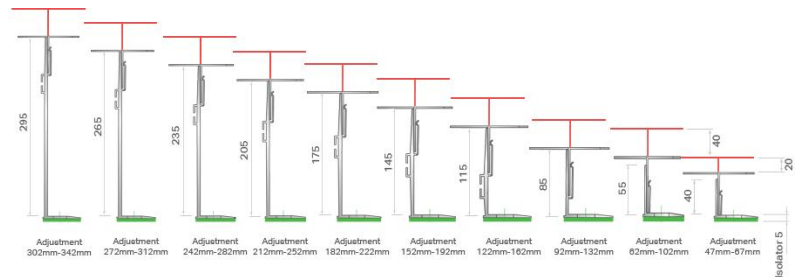
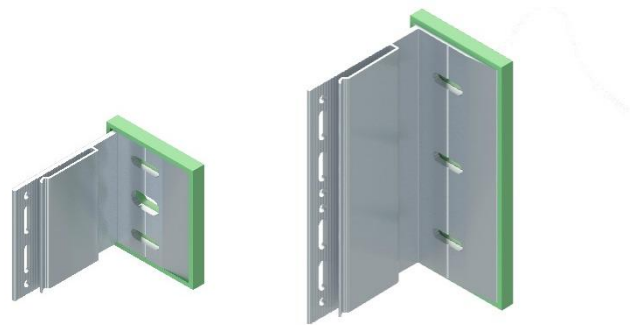
Thermal isolator gasket

Used to minimise thermal bridging, and to separate aluminium from steel or concrete.



Bracket

NVELOPE aluminium brackets are available in two sizes, ie single and double, with various depths to suit a variety of cavity width from approx. 50 to 300mm.



Vertical rail (profile)

NVELOPE aluminium vertical L and T rails

Minimum face width of T rail: 120 mm

Minimum face width of L rail: 40 mm



Notes

Maximum deflection limit of the support frame under influence of load is $\text{Span}/250$.

Support frame and its connection to substructure shall be designed by project engineer in accordance with the relevant standards. Refer to UNI Rivet span tables for maximum vertical and horizontal spacing of panel fixings.

The application of NVELOPE system shall be in accordance with its supplier's recommendations and guidelines.

Refer to NVELOPE and EQUITONE brochure for detailed information on NVELOPE components and their available sizes and options.

Drawings index

Detail	Figure	Page
Baffled horizontal joint	1	93
Baffled horizontal joint junction with vertical joint - Elevation	2	93
Open horizontal joint	3	93
Open horizontal joint junction with vertical joint - Elevation	4	93
Vertical joint - Detail 1	5	94
Vertical joint - Detail 2	6	94
Vertical joint - Detail 3	7	94
Intermediate panel fixings connection	8	94
Horizontal control joint - Detail 1	9	95
Horizontal control joint - Detail 2	10	95
EPDM gasket support over control joint or the like	11	96
Vertical control joint	12	96
Flush window - Head and sill	13	97
Flush window - Jamb	14	97
Recessed window - Head and sill	15	97
Recessed window - Jamb	16	97
Meter box - Section	17	98
Meter box - Plan view - Detail 1	18	98
Meter box - Plan view - Detail 2	19	98
Isometric view of window/meter box opening - Tape application	20	99
Soffit junction	21	99
Base detail	22	100
Base detail - Covered area	23	100
Base detail - Balcony	24	100
Exposed slab junction - Cladding flush	25	101
Exposed slab junction - Cladding recessed	26	101
External corner - Detail 1	27	102
External corner - Detail 2	28	102
Internal corner	29	103
Abutment	30	103
Pipe penetration - Plan view	31	104
Pipe penetration - Elevation	32	104
Pipe penetration - Section	33	104
Capping - Detail 1	34	105
Capping - Detail 2	35	105
Parapet junction - Section	36	105
Parapet junction - Plan view	37	106
Corrosion resistant saddle flashing	38	106

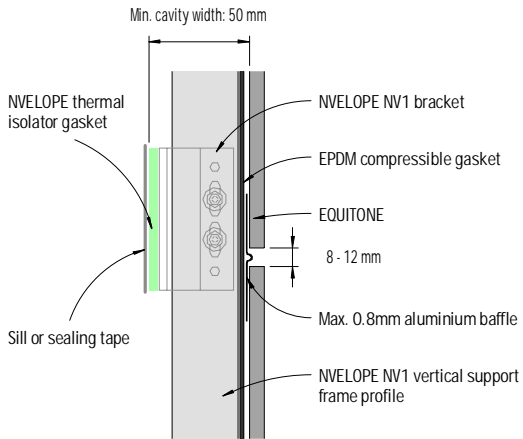


Figure 1: Baffled horizontal joint
(Not suitable for EQUITONE [material])

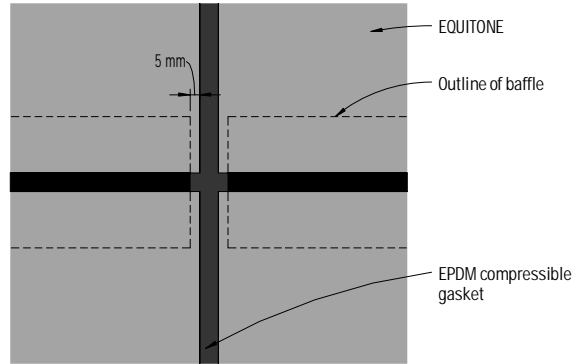


Figure 2: Baffled horizontal joint
junction with vertical joint - Elevation

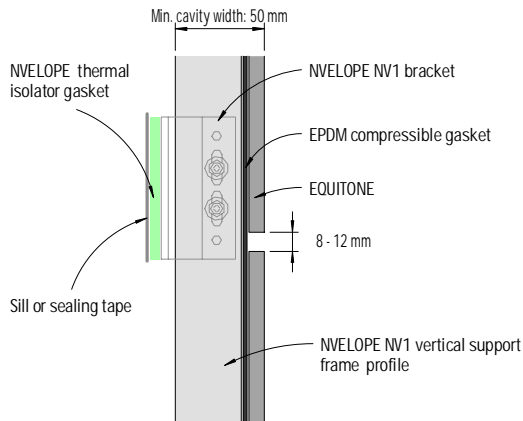


Figure 3: Open horizontal joint

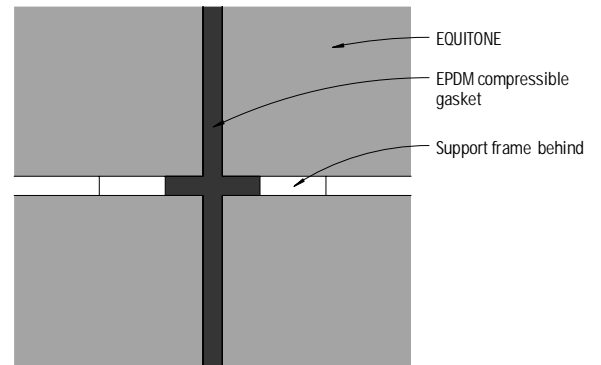


Figure 4: Open horizontal joint junction
with vertical joint - Elevation

Notes

- 1) In open horizontal joint design visible part of the support frame and weather barrier may be coated black with suitable paint.
- 2) The length of NVELOPE NV3 vertical and horizontal rail, and expressed joint profile must NOT exceed 3,150mm.

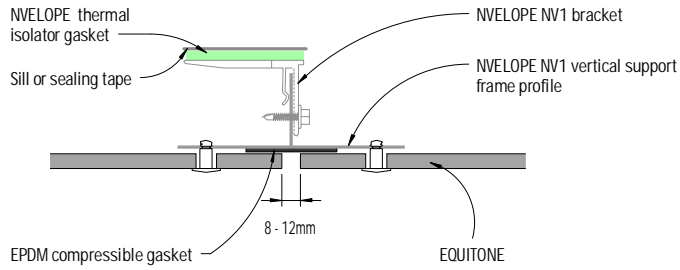


Figure 5: Vertical joint - Detail 1

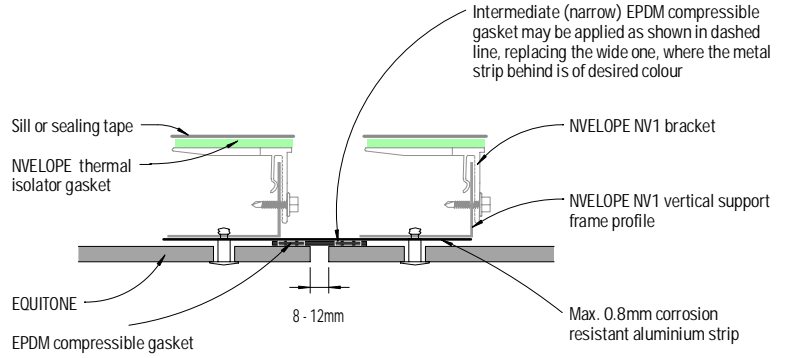


Figure 6: Vertical joint - Detail 2

Intermediate (narrow) EPDM compressible gasket may be applied as shown in dashed line, replacing the wide one, where the metal strip behind is of desired colour

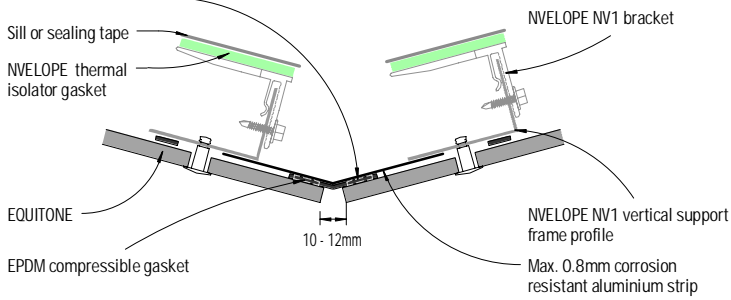


Figure 7: Vertical joint - Detail 3

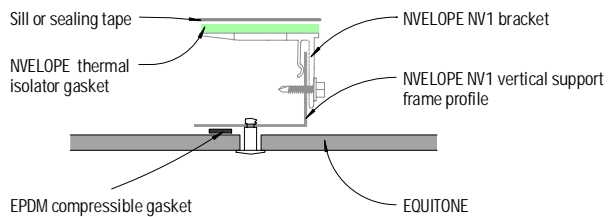


Figure 8: Intermediate panel fixings connection

Notes

- 1) In Figure 6 & 7, the aluminium strip should be fixed ONLY to one of the support frame profiles (either left or right) where allowance for horizontal and/or vertical movement of the cladding frame is required.
- 2) EPDM compressible gasket strip is applied away from the panel hole, and usually to one side of the support frame profile as shown in Figure 8.

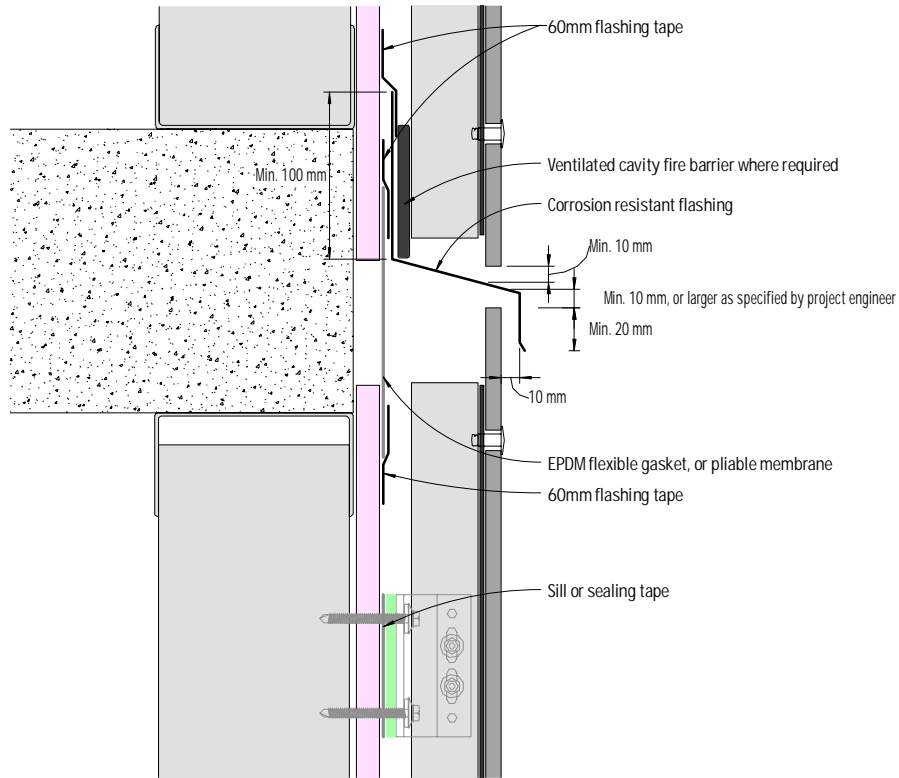


Figure 9: Horizontal control joint - Detail 1

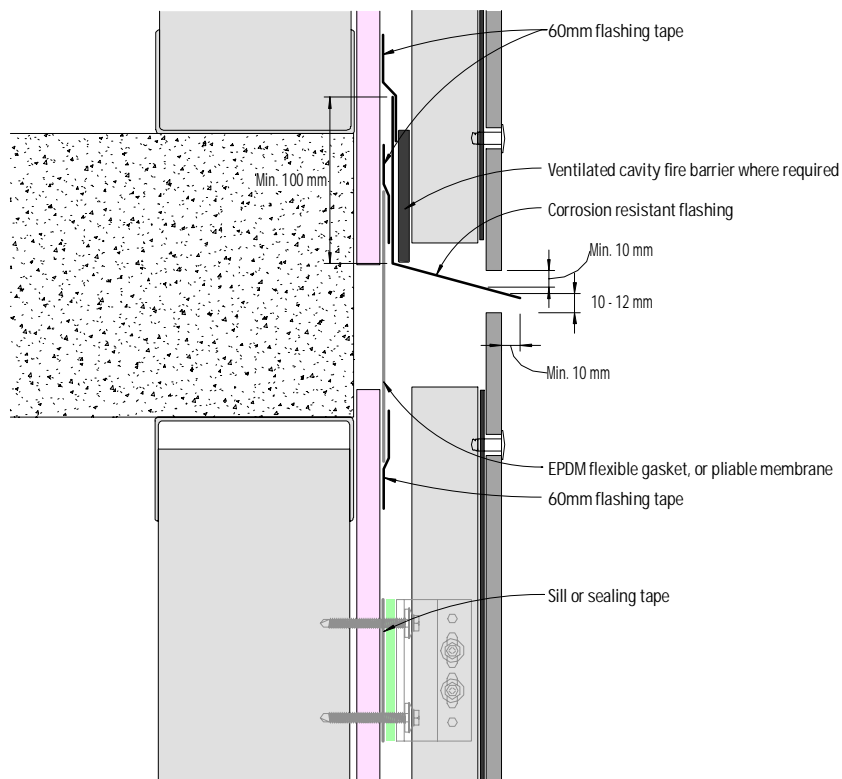


Figure 10: Horizontal control joint - Detail 2

Notes

- 1) Support frame profiles and Siniat Weather Defence must NOT be fixed crossing over a control joint nor to a deflection head.
- 2) Allowance for movement at the location of any control joint must be made in the cladding and its support frame design and installation. Panel must NOT be fixed bridging over any control joint.
- 3) In Figure 10, should a larger gap be required under the inter-storey flashing, the weatherproofing performance of the detail shall be evaluated by project engineer.

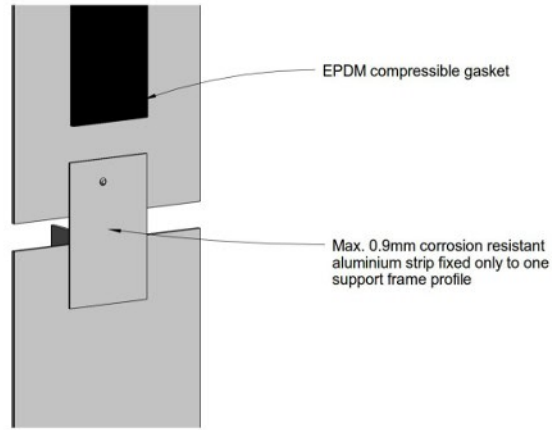


Figure 11: EPDM gasket support over control joint or the like

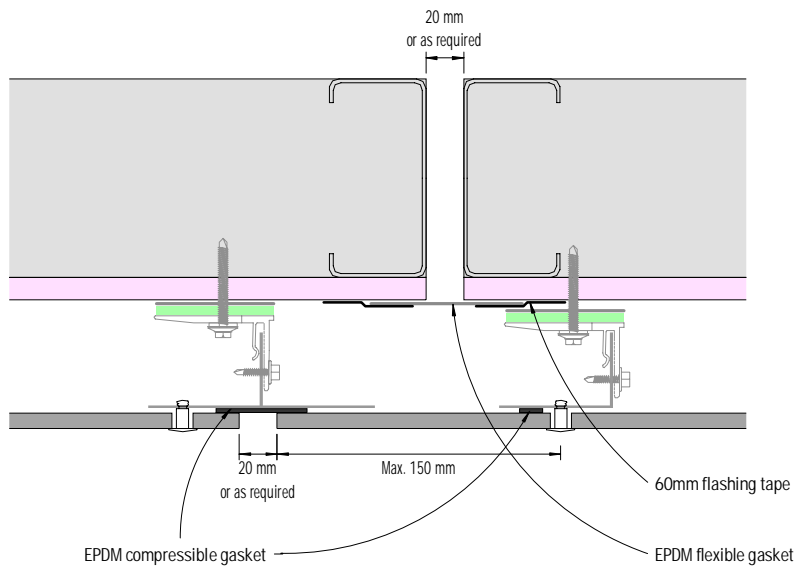


Figure 12: Vertical control joint

Notes

- 1) Support frame profiles and Siniat Weather Defence must NOT be fixed crossing over a control joint nor to a deflection head.
- 2) Allowance for movement at the location of any control joint must be made in the cladding and its support frame design and installation. Panel must NOT be fixed bridging over any control joint.

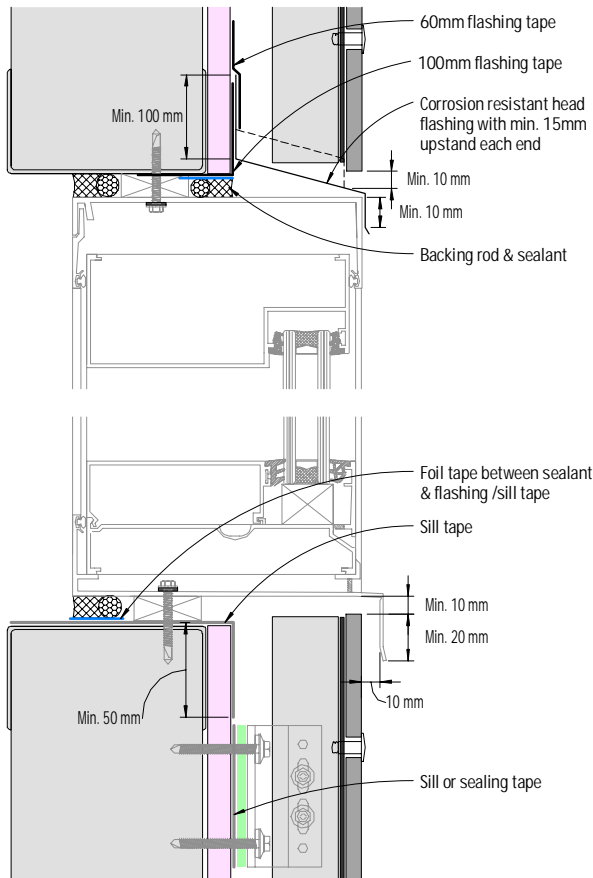


Figure 13: Flush window - Head and sill

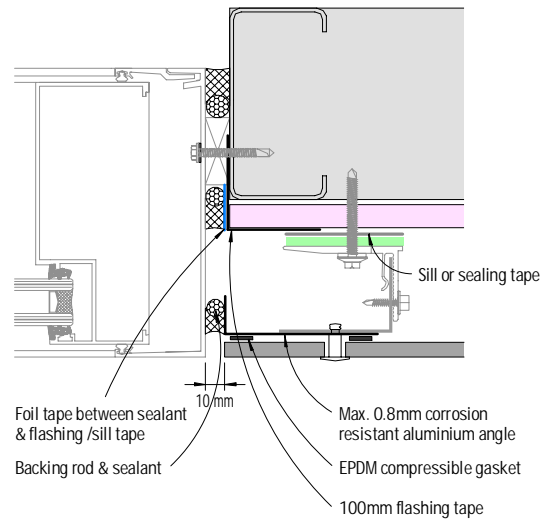


Figure 14: Flush window - Jamb

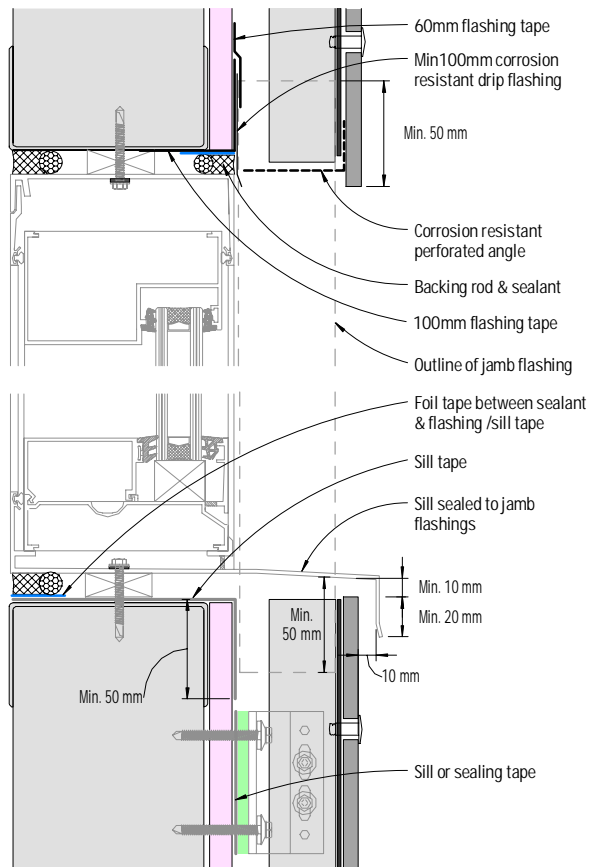


Figure 15: Recessed window - Head and sill

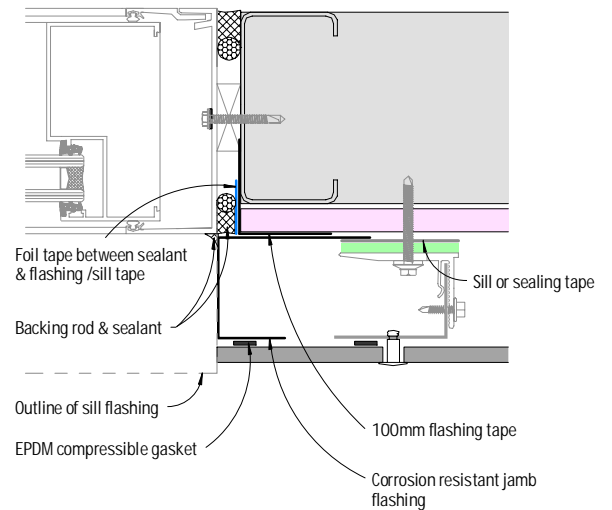


Figure 16: Recessed window - Jamb

Note

ONLY sealant compatible with the foil tape should be used. Should any sealant be intended to be used directly on the flashing and/or sill tape it must be confirmed with its manufacturer to ensure compatibility with these tapes in accordance with the relevant standards.

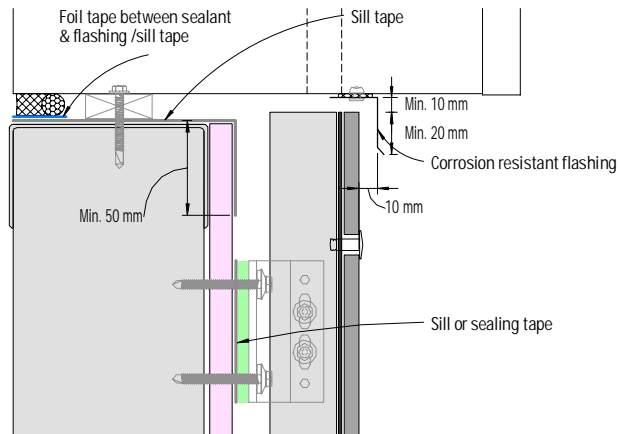
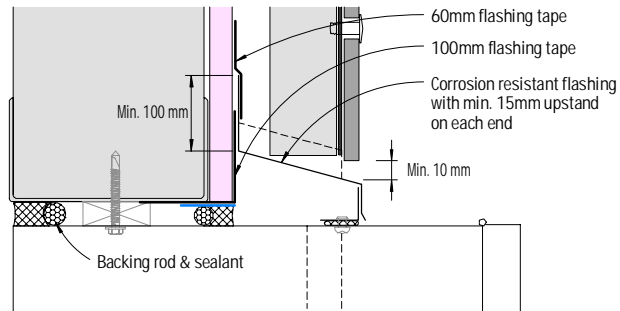


Figure 17: Meter box - Section

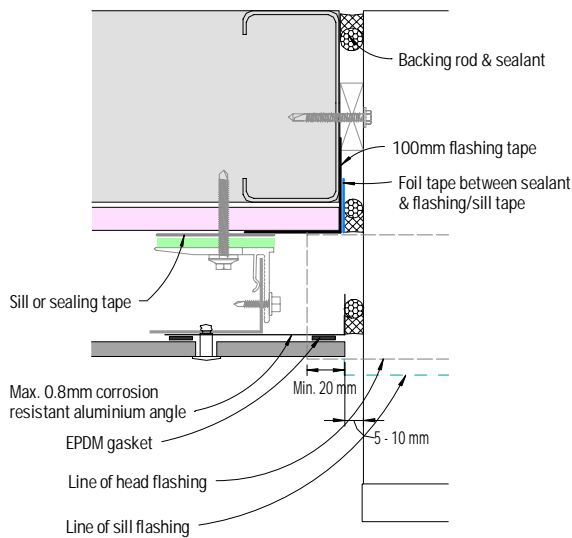


Figure 18: Meter box - Plan view - Detail 1

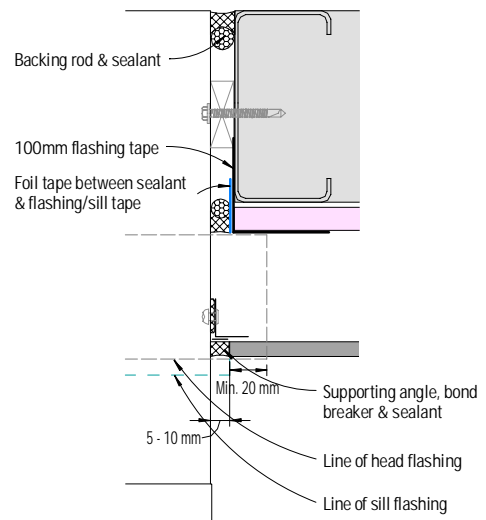


Figure 19: Meter box - Plan view - Detail 2

Note

ONLY sealant compatible with the foil tape should be used. Should any sealant be intended to be used directly on the flashing and/or sill tape it must be confirmed with its manufacturer to ensure compatibility with these tapes in accordance with the relevant standards.

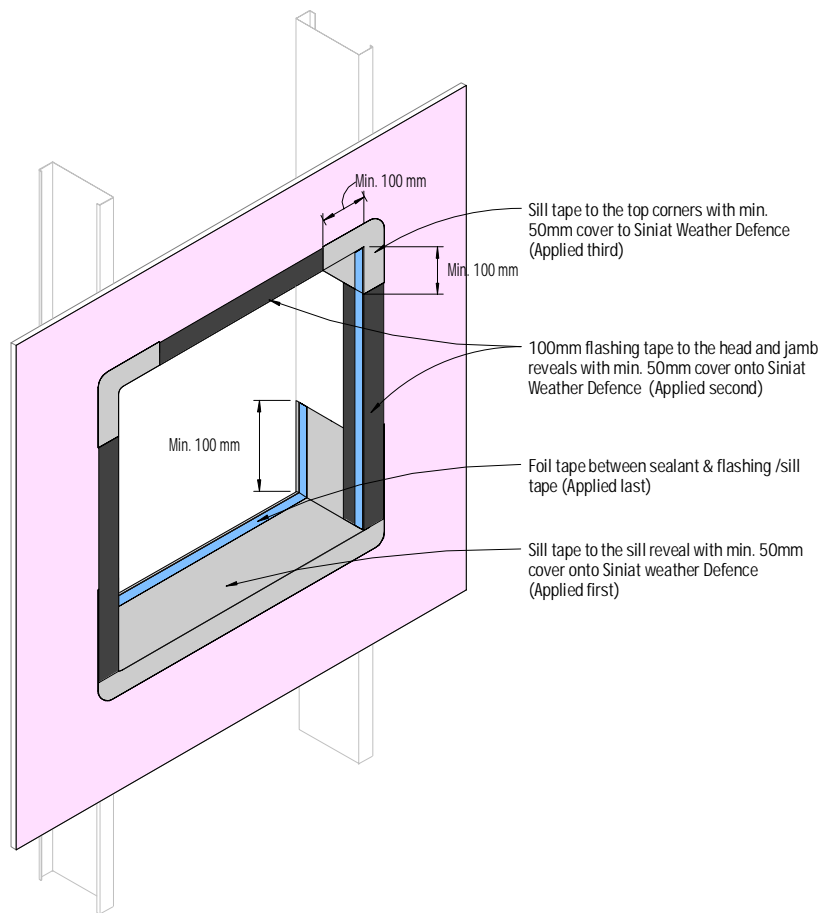


Figure 20: Isometric view of window/meter box opening - Tape application

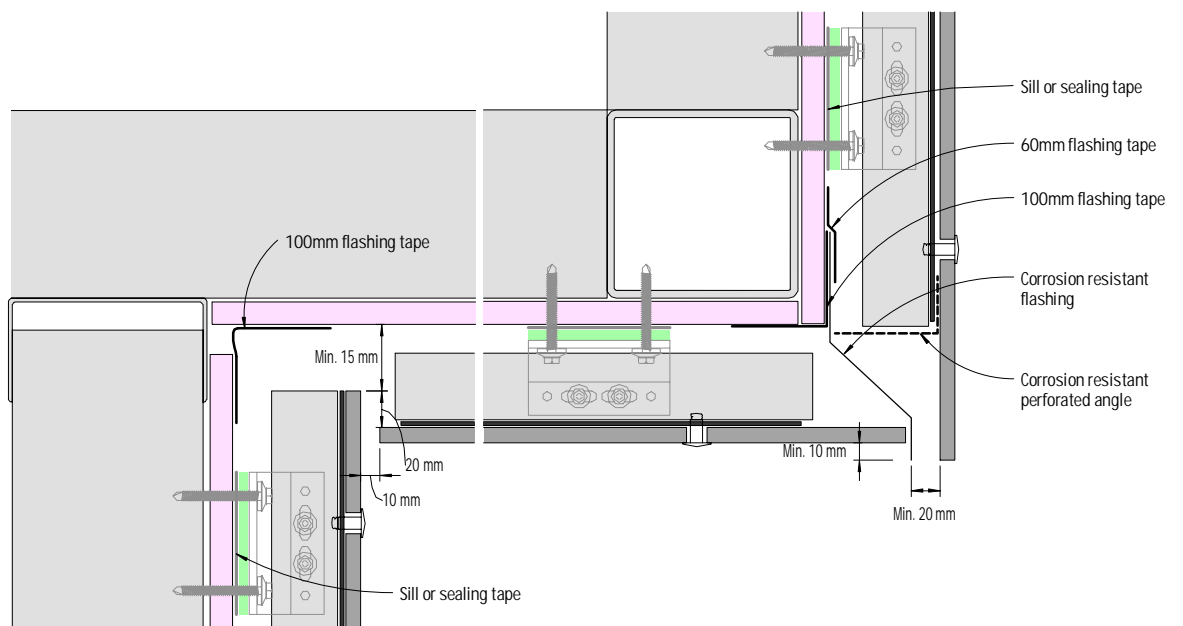


Figure 21: Soffit junction

Notes

- 1) ONLY sealant compatible with the foil tape should be used. Should any sealant be intended to be used directly on the flashing and/or sill tape it must be confirmed with its manufacturer to ensure compatibility with these tapes in accordance with the relevant standards.
- 2) Support frame profiles and Siniat Weather Defence must NOT be fixed crossing over a control joint nor to a deflection head.
- 3) Corrosion resistant perforated angle shall be in Aluminium (or of adequate protective coating) to prevent bimetallic corrosion, be of max. thickness of 0.8mm where located between panel and support frame, and be of min. 50% open area.

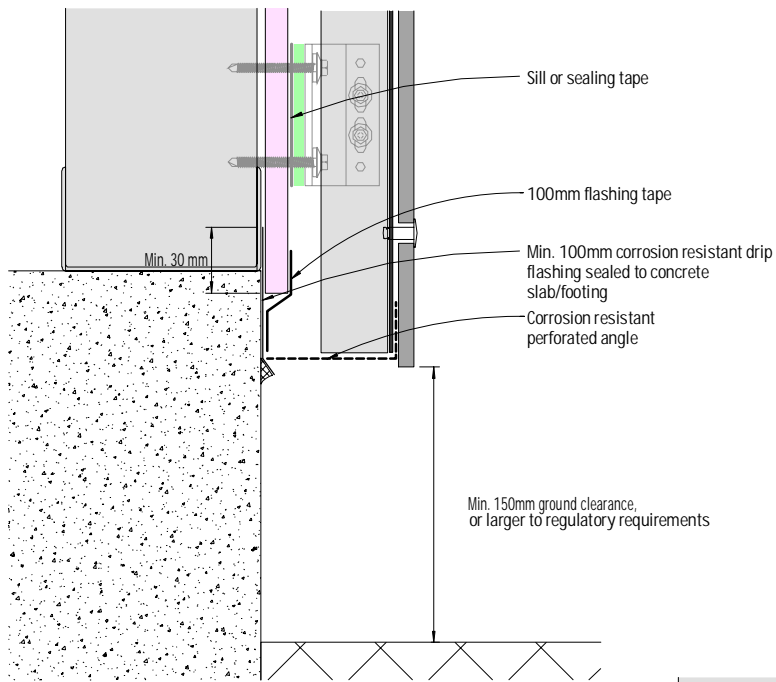


Figure 22: Base detail

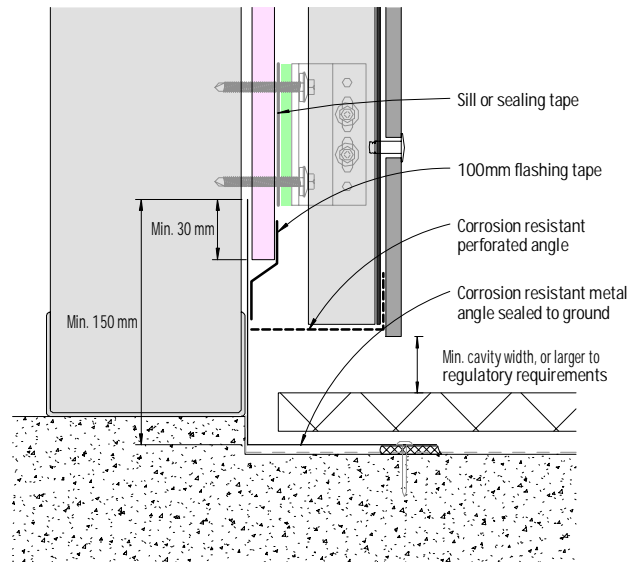


Figure 23: Base detail - Covered area

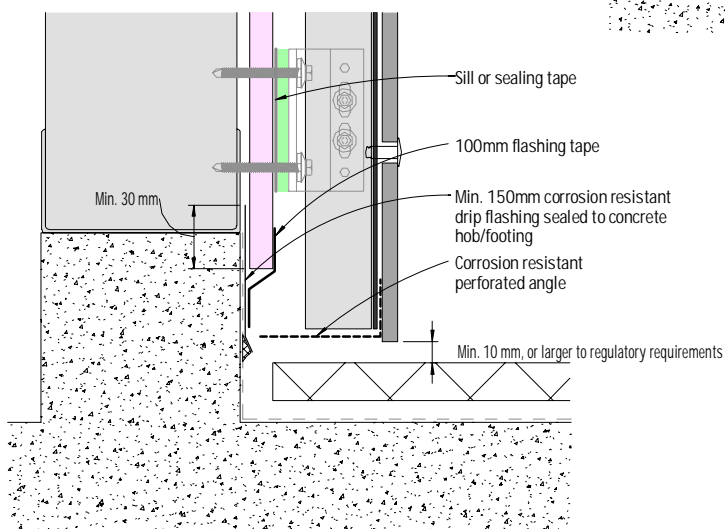


Figure 24: Base detail - Balcony

Notes

1) For **EQUITONE [materia]**, minimum ground clearance is **300mm**.

2) Corrosion resistant perforated angle shall be in Aluminium (or of adequate protective coating) to prevent bimetallic corrosion, be of max. thickness of 0.8mm where located between panel and support frame, and be of min. 50% open area.

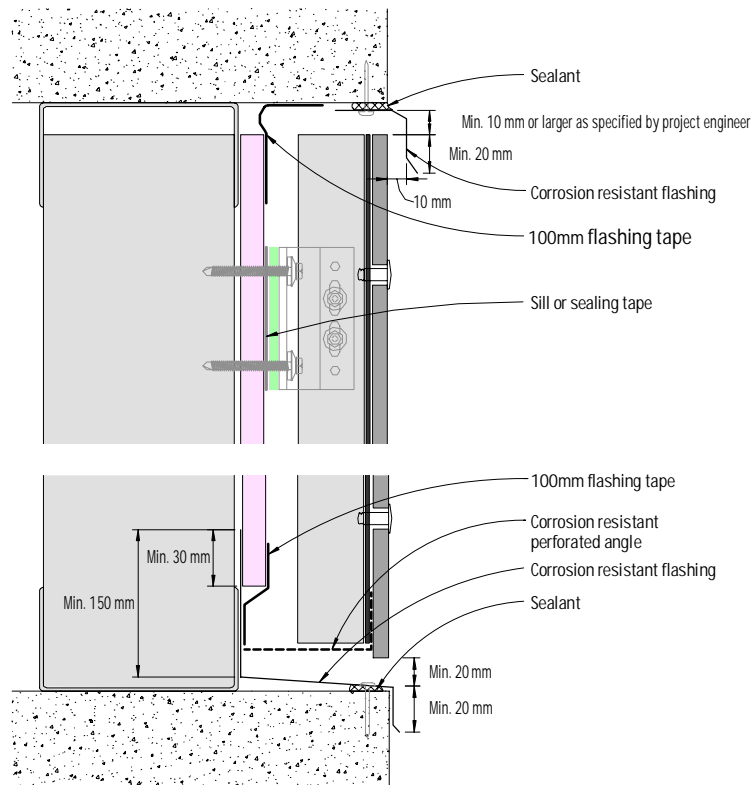


Figure 25: Exposed slab junction - Cladding flush

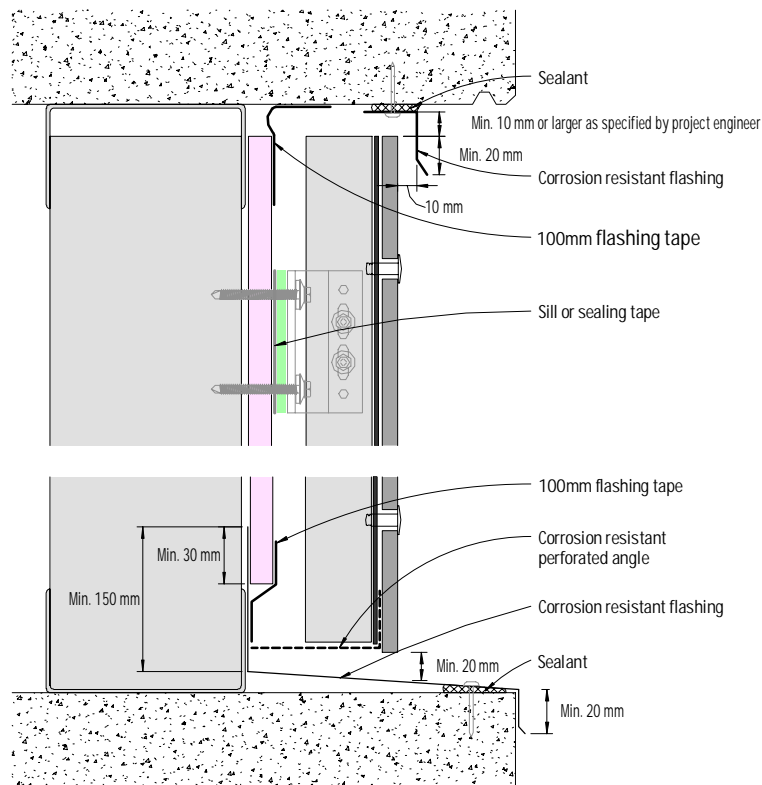


Figure 26: Exposed slab junction - Cladding recessed

Notes

- 1) Refer to Pro Clima's flashing tape application guide for any pre-treatment required on concrete or masonry for the application of the flashing tape onto these substrates.
- 2) Support frame profiles and Siniat Weather Defence must NOT be fixed crossing over a control joint nor to a deflection head.
- 3) Corrosion resistant perforated angle shall be in Aluminium (or of adequate protective coating) to prevent bimetallic corrosion, be of max. thickness of 0.8mm where located between panel and support frame, and be of min. 50% open area.

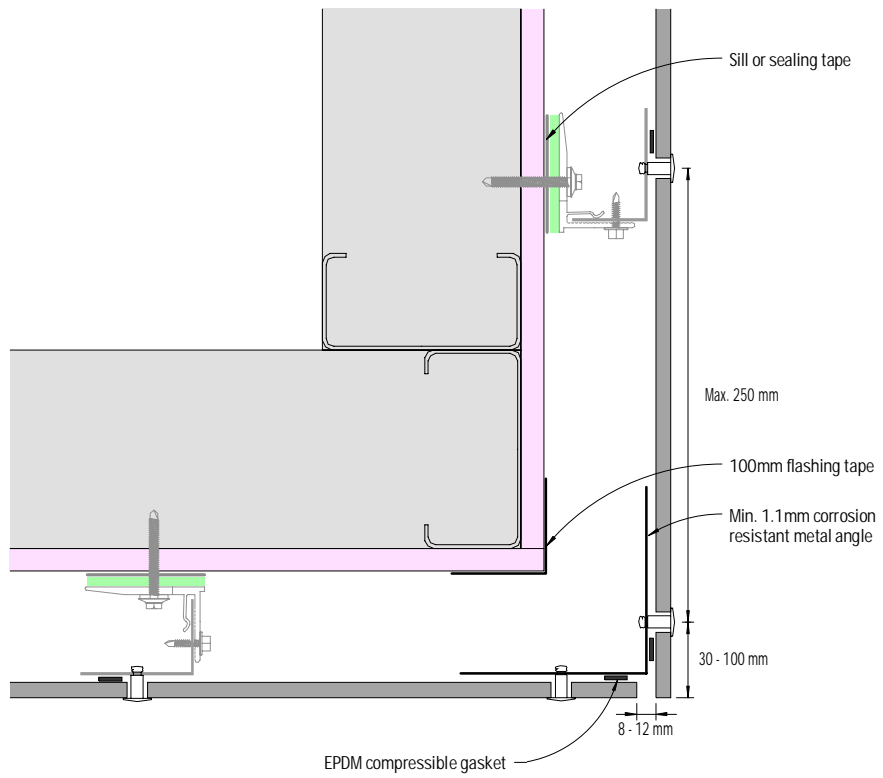


Figure 27: External corner - Detail 1

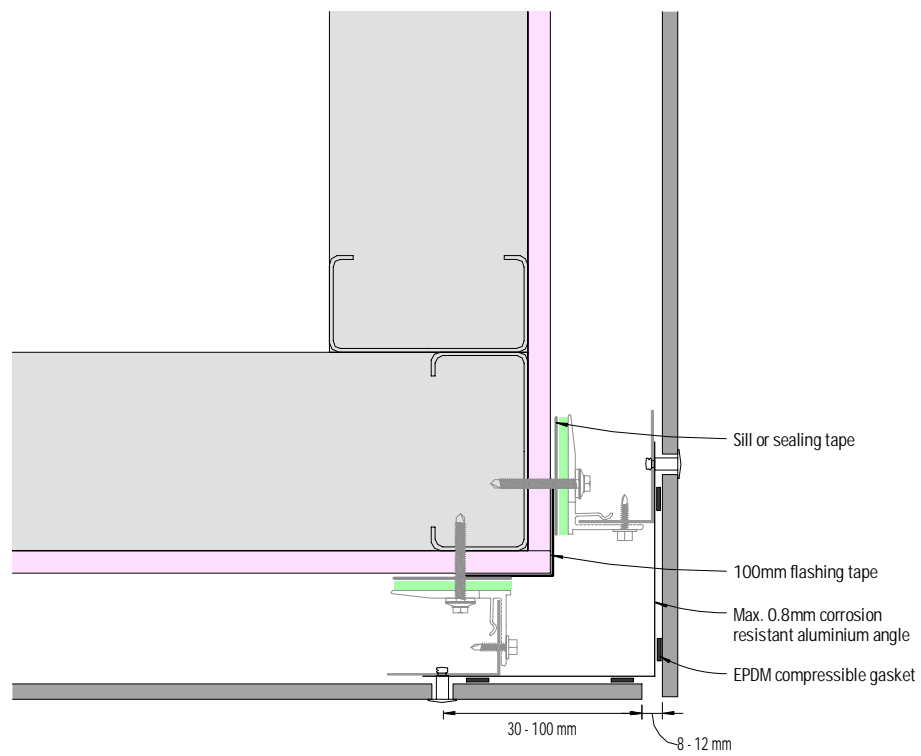


Figure 28: External corner - Detail 2

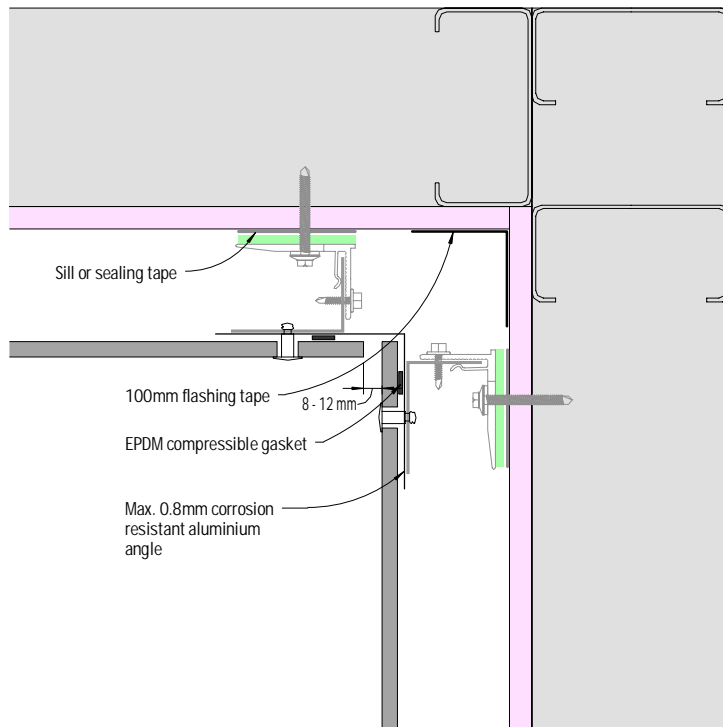


Figure 29: Internal corner

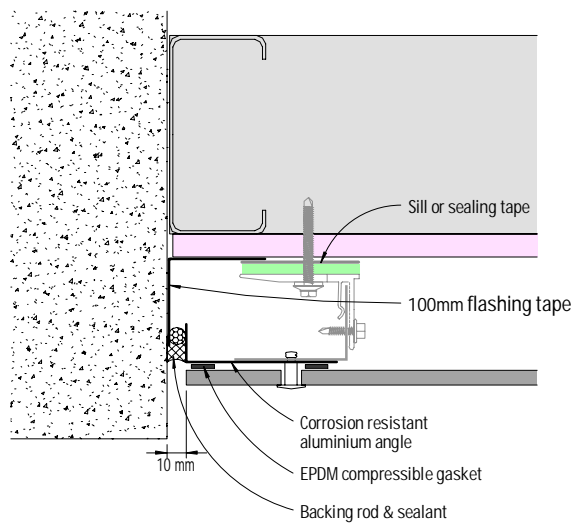


Figure 30: Abutment

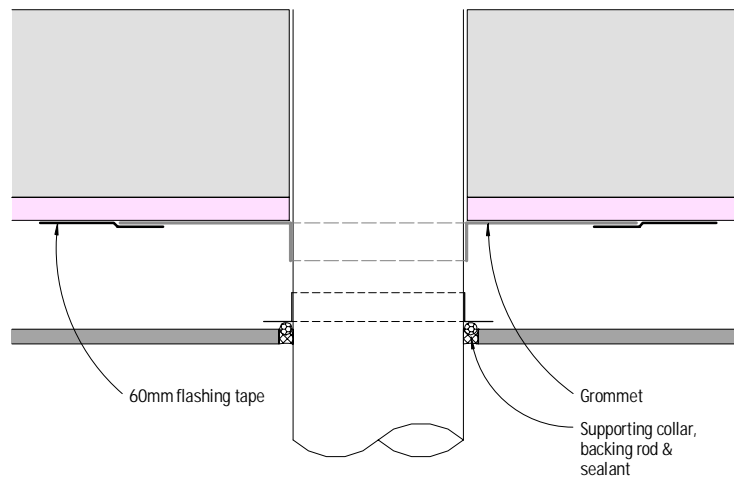


Figure 31: Pipe penetration - Plan view

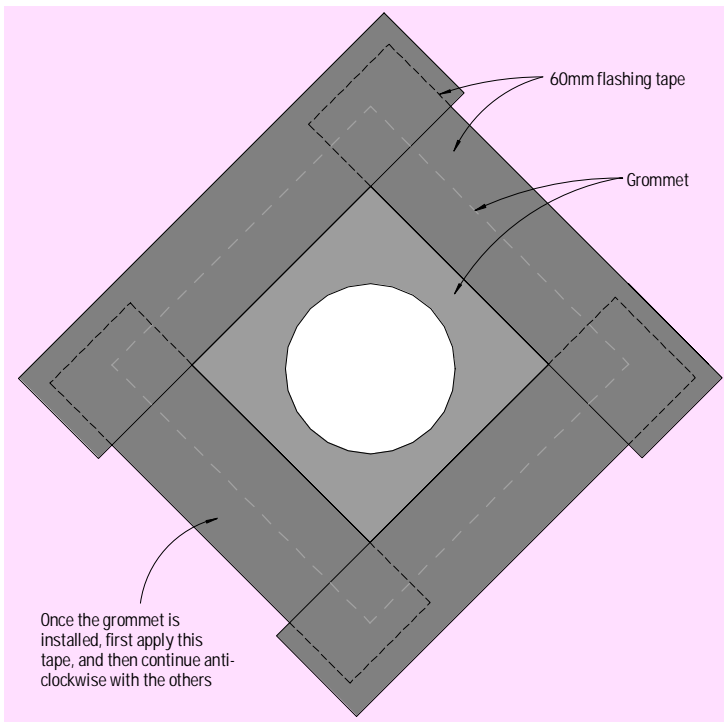


Figure 32: Pipe penetration - Elevation

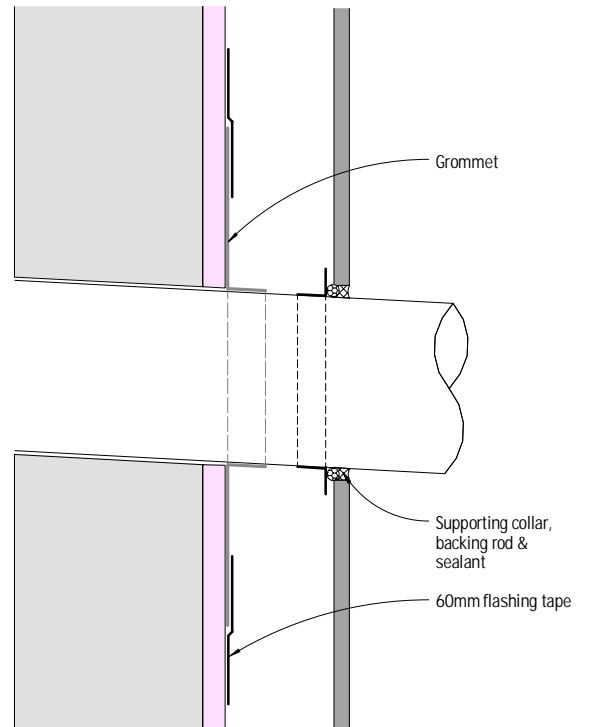


Figure 33: Pipe penetration - Section

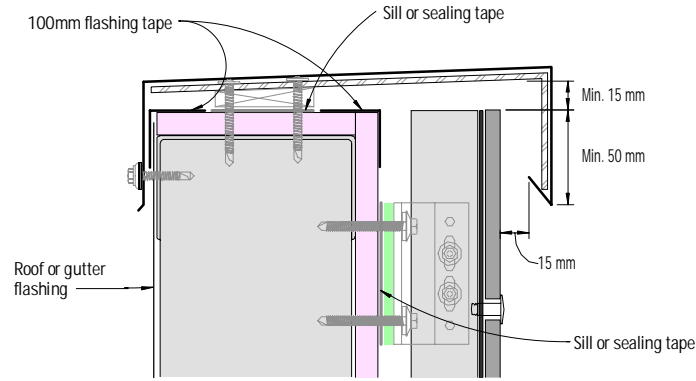


Figure 34: Capping - Detail 1

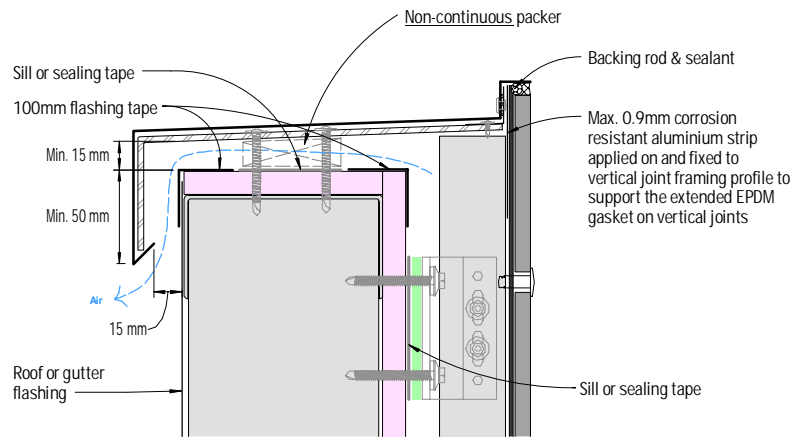


Figure 35: Capping - Detail 2

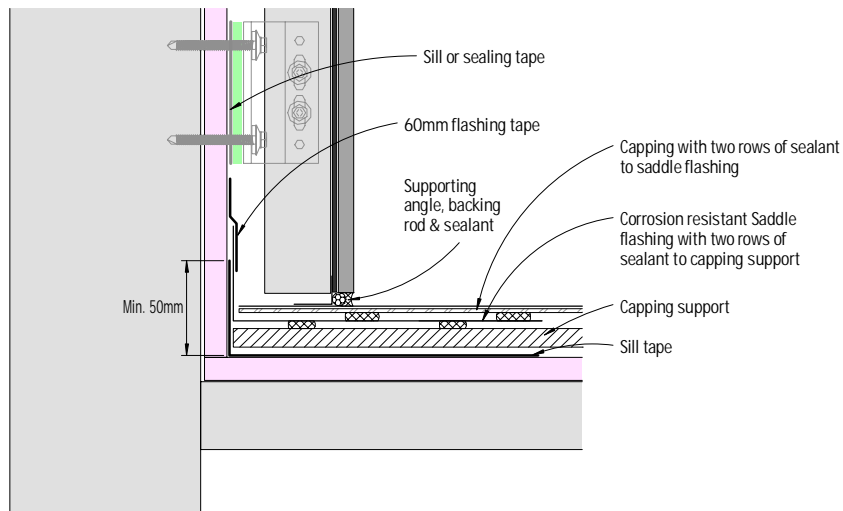


Figure 36: Parapet junction - Section

Notes

1) For EQUITONE [material], the following capping dimensions should be followed.

- A minimum 20mm between panel face and rear of the capping
- A minimum 50mm overlap with the panel for building up to 8m
- A minimum 80mm overlap with the panel for building up to 20m
- A minimum 100mm overlap with the panel for building over 20m

2) Capping detail '2' will involve further maintenance requirement in order to maintain the seal at the interface with the panel. Any deterioration of the sealant may result in panel staining, and will compromise the weatherproofing performance. Use UV stable and resistant external grade sealant

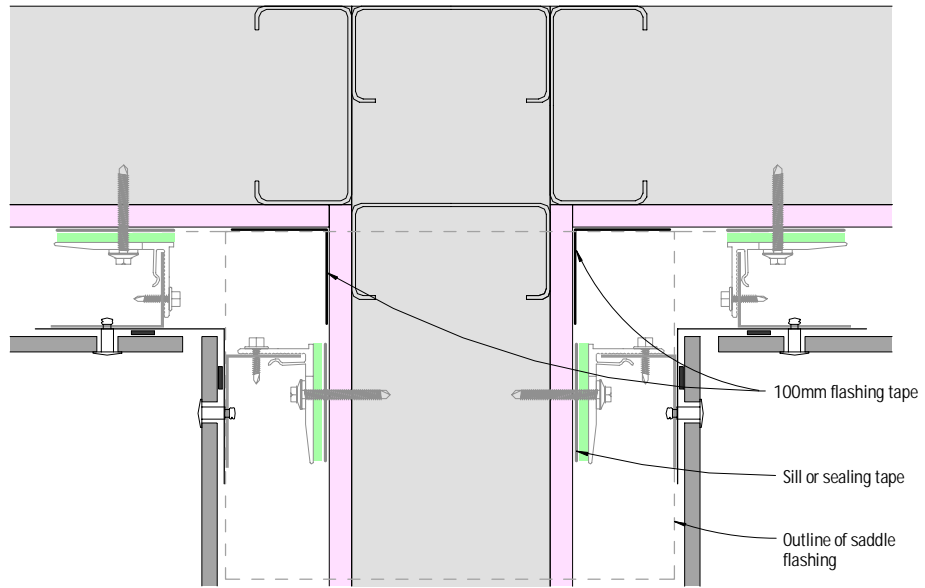


Figure 37: Parapet junction - Plan view

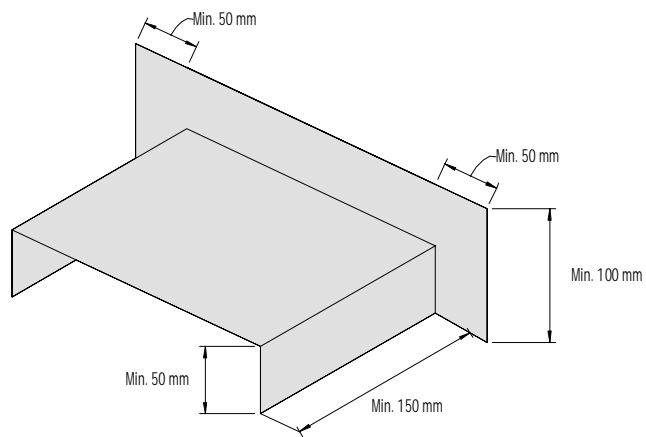


Figure 38: Corrosion resistant saddle flashing

EQUITONE system

Etex Exteriors ANZ
Suite 201
198 Harbour Esplanade
Docklands VIC 3008
Australia

+61 (03) 9988 2290
info.australia@equitone.com
equitone.com