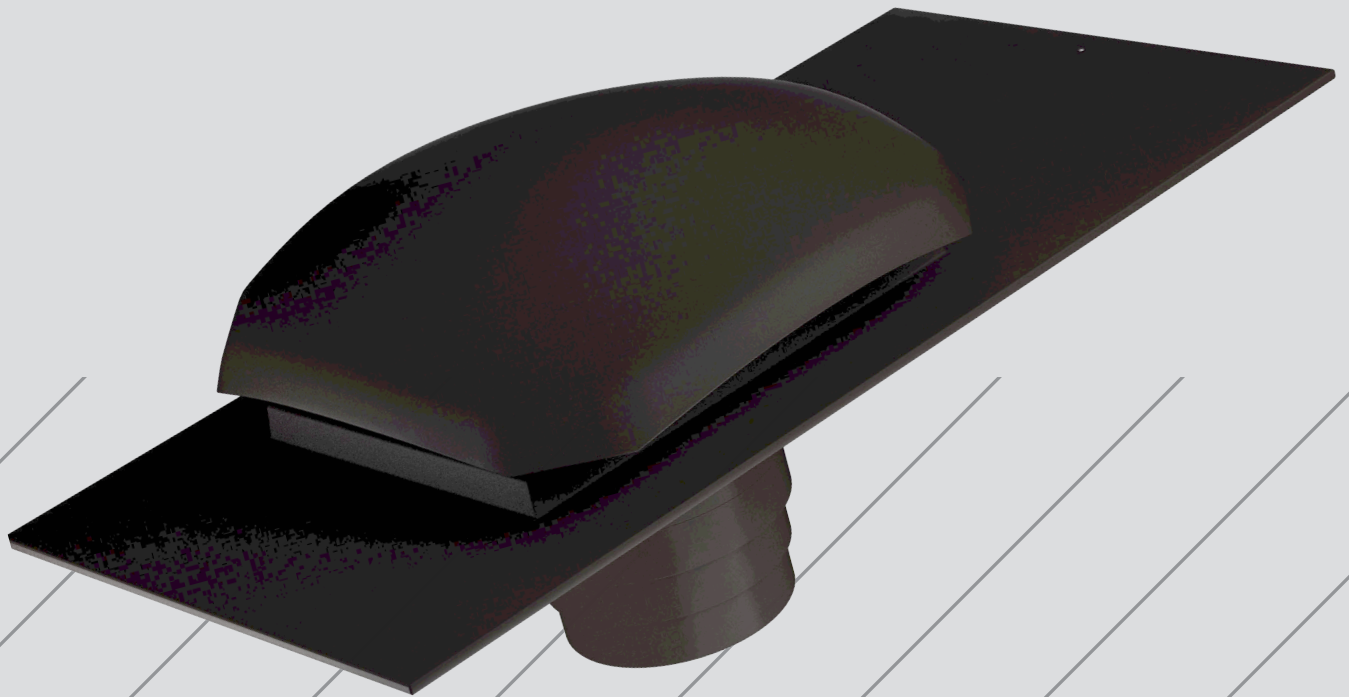


# LARGE CAPACITY VENT (INCLUDING MULTI-ADAPTOR)

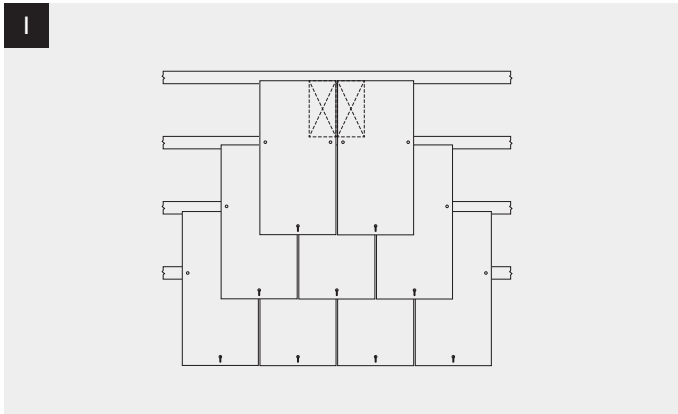
## FITTING INSTRUCTIONS



**CVP5**

## LARGE CAPACITY VENT

Comes with a click-on multi-adaptor which allows for connection from 160mm down to 100mm in steps of the most commonly used dimensions.  
Minimum pitch 20°, maximum pitch 45°.

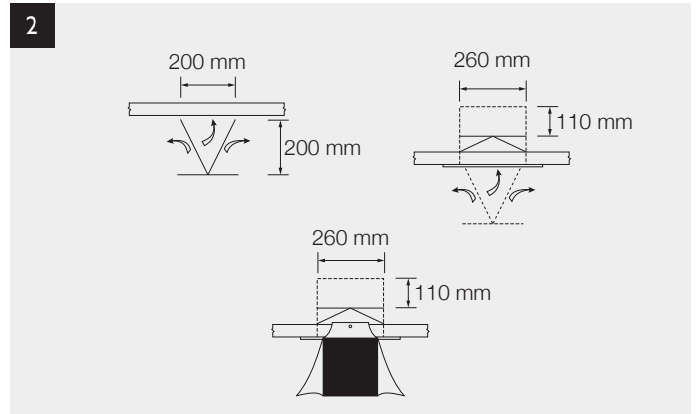


Complete the slating in the normal manner to one course below the required position for the slate vent.

Temporarily fix directly below vent.

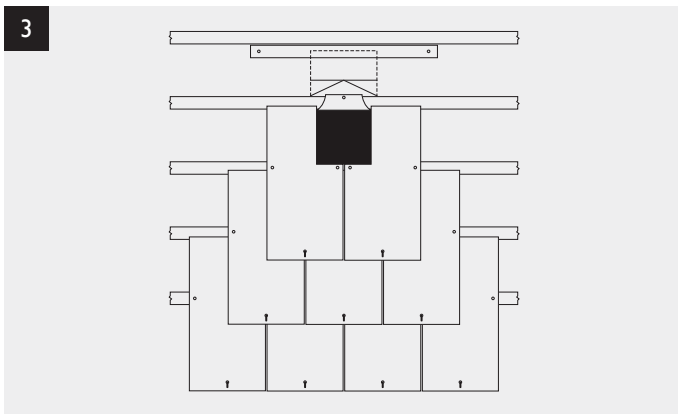
Mark the position of the vent on the slates. The vent should be as central between the rafters as practical.

Remove temporarily fixed slates.



Cut underlay in a "V" shape as shown. Fold back cut edges of underlay.

A Cedral Felt Weir is available. This Felt Weir will give additional protection to the underlay cut. Neatly cut a 260mm long slot in underlay, at a distance of approx. 60mm above top of the slating batten. Slide the felt weir through this slot until the upstand of the felt weir is up to the bottom of the batten. Allow a minimum cover of 110mm between the felt weir and the underlay. Secure the felt weir by folding the top section of cut underlay over the batten and fix in place with a 20mm galvanised clout nail to the face or back edge of the batten.

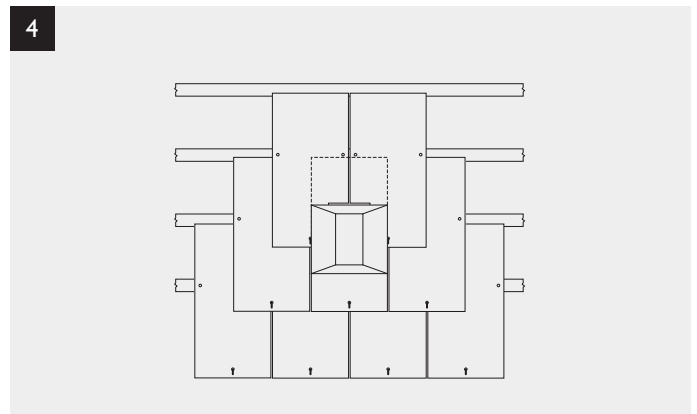


Cut the two slates, which will be under the vent slate to give the required clear air space. The amount to be cut from these slates will vary according to the size of the slate, the lap and gauge of the slating.

For a 600 x 300mm slate laid with a 110mm headlap, the size of this cut is to be 110 x 210mm to each slate.

Secure an additional batten just below the top of the vent. This batten is to span across the rafters to each side of the vent slate. This additional batten is to receive the vent slate fixings.

Carefully reposition the two cut slates.



Position the vent slate. Drill two 4.5mm holes in the vent slate, centred on the slating batten and fix to batten through the nail holes provided.

Trim the slates to next course above vent slate to fit neatly around vent slate cowl.

Complete slating in normal manner.

### IRELAND

Tel: +353 059 8631316 Email: info.ireland@cedral.world  
Etex Ireland Ltd, Kilkenny Road, Athy, Kildare, Ireland, R14 VN84

more at [cedral.ie](http://cedral.ie)

### GREAT BRITAIN

Tel: +44 (0)1283 501 505 Email: techuk@etexgroup.com  
Etex (Exteriors) UK Ltd, Wellington Road, Burton upon Trent, Staffordshire, DE14 2AP

more at [cedral.world](http://cedral.world)