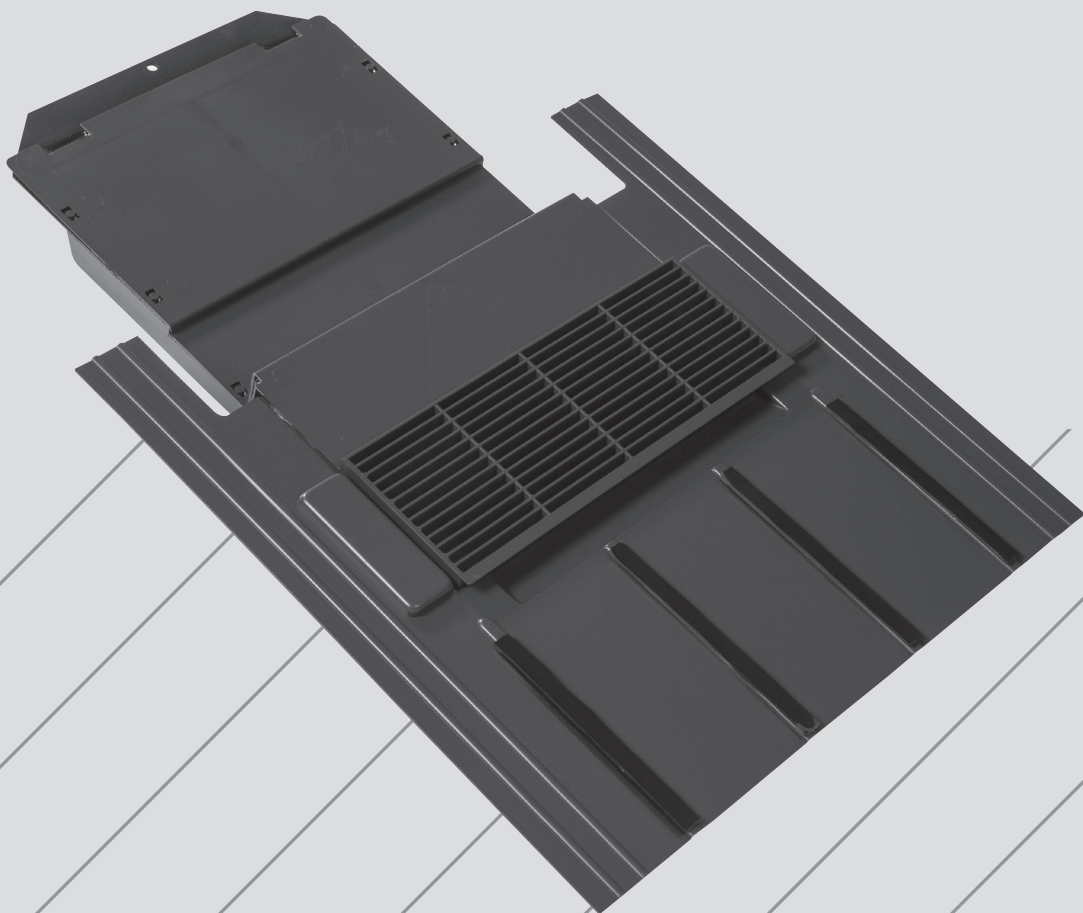


IN-LINE SLATE VENT

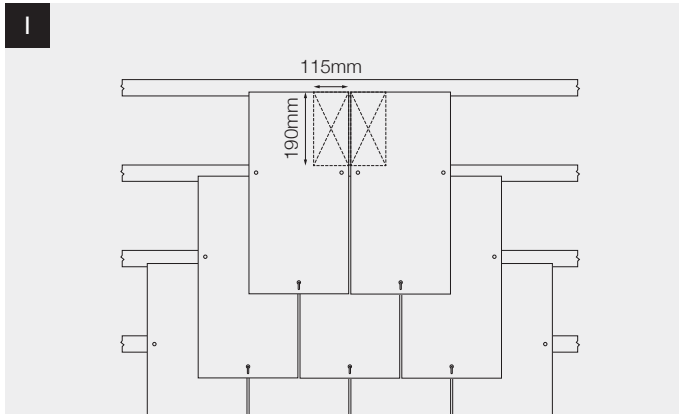
FITTING INSTRUCTIONS



IN-LINE SLATE VENT

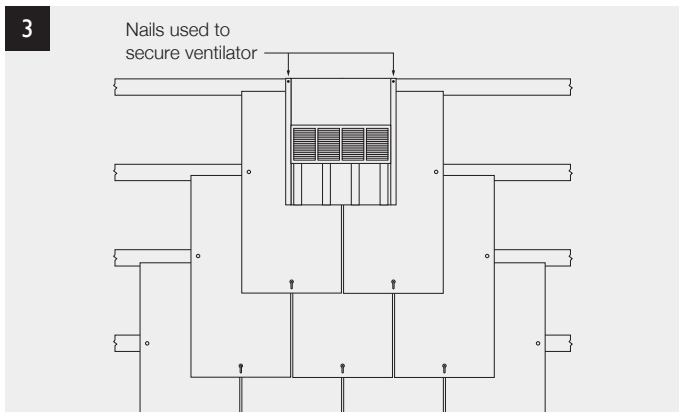
The In-line Slate Vent is available in 600 x 300mm and 500 x 250mm.

600 x 300mm minimum pitch 25°, maximum pitch 75°. 500 x 250mm minimum pitch 30°, maximum pitch 75°.



Cut out the top corner of the 2 slates in the course immediately below where the vent outlet is required to be positioned in the roof void. (fig 1). The dimensions of the piece of slate removed should be 190mm x 115mm, as shown.

Re-hole the slates as necessary to ensure they can be fixed correctly to the slating battens. Cut the underlay as indicated to allow the upper half of the vent to pass into the roof space. The final position of the cuts in the underlay may vary slightly depending on thickness of the slating batten and if counter battens are being used.



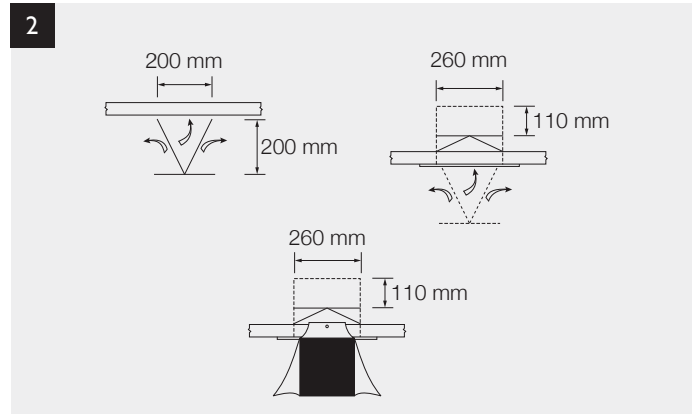
Insert the ventilator into the roof void and secure with slating nails into the batten (fig 2), ensuring that the vent sits closely onto the slates below.

The In-line Slate Vent is designed for use with 25mm slating battens. Where a thicker batten is used then the back of the batten will need to be reduced to 25mm where it passes across the installed vent. Where the thickness of the slates on either side of the vent is greater than 8mm, then the same trimming of the batten may be necessary.

IRELAND

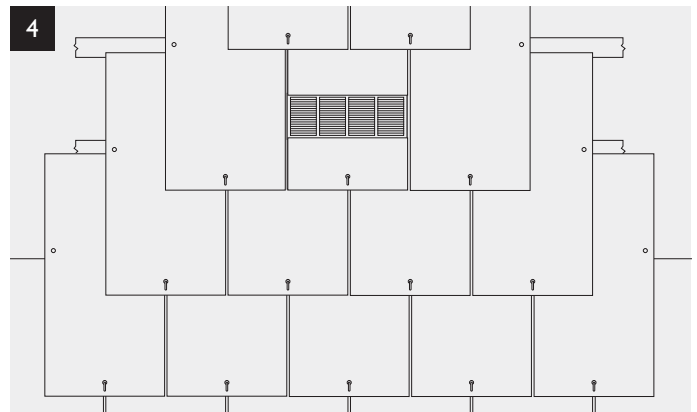
Tel: +353 059 8631316 Email: info.ireland@cedral.world
Etex Ireland Ltd, Kilkenny Road, Athy, Kildare, Ireland, R14 VN84

more at cedral.ie



Cut underlay in a "V" shape as shown. Fold back cut edges of underlay.

A Cedral Felt Weir is available. This Felt Weir will give additional protection to the underlay cut. Neatly cut a 260mm long slot in underlay, at a distance of approx. 60mm above top of the slating batten. Slide the felt weir through this slot until the upstand of the felt weir is up to the bottom of the batten. Allow a minimum cover of 110mm between the felt weir and the underlay. Secure the felt weir by folding the top section of cut underlay over the batten and fix in place with a 20mm galvanised clout nail to the face or back edge of the batten.



Fix the slates on either side of the vent (fig 3) and then cut and fit a piece of slate to fit between the top of the grill and the finished line of the slating on the batten above (approx. 300mm). Cut a piece of the same slate 110mm in length to fit in the bottom of the vent. Ensure that this piece of slate is dry and free from dust or loose material. Remove the white paper covering the butyl strips and stick the slate in place. Ensure that the top edge fits under the front edge of the grill and the bottom edge is behind the small lugs on the bottom edge.

Now continue slating in the normal manner:

If the degree of exposure of the site, or the location of the vent on the roof, gives cause for concern with regard to the security of the bottom edge of the vent, it may be further secured either by using a nail point slate hook or a copper disc rivet inserted through the hole provided. Additionally there is provision to secure the underside of the vent to the slating batten inside the roof void. This could be desirable if a particularly long or heavy flexible pipe is attached to the vent, which might cause it to deform.

GREAT BRITAIN

Tel: +44 (0) 1283 501 505 Email: techuk@etexgroup.com
Etex (Exteriors) UK Ltd, Wellington Road, Burton upon Trent, Staffordshire, DE14 2AP

more at cedral.world