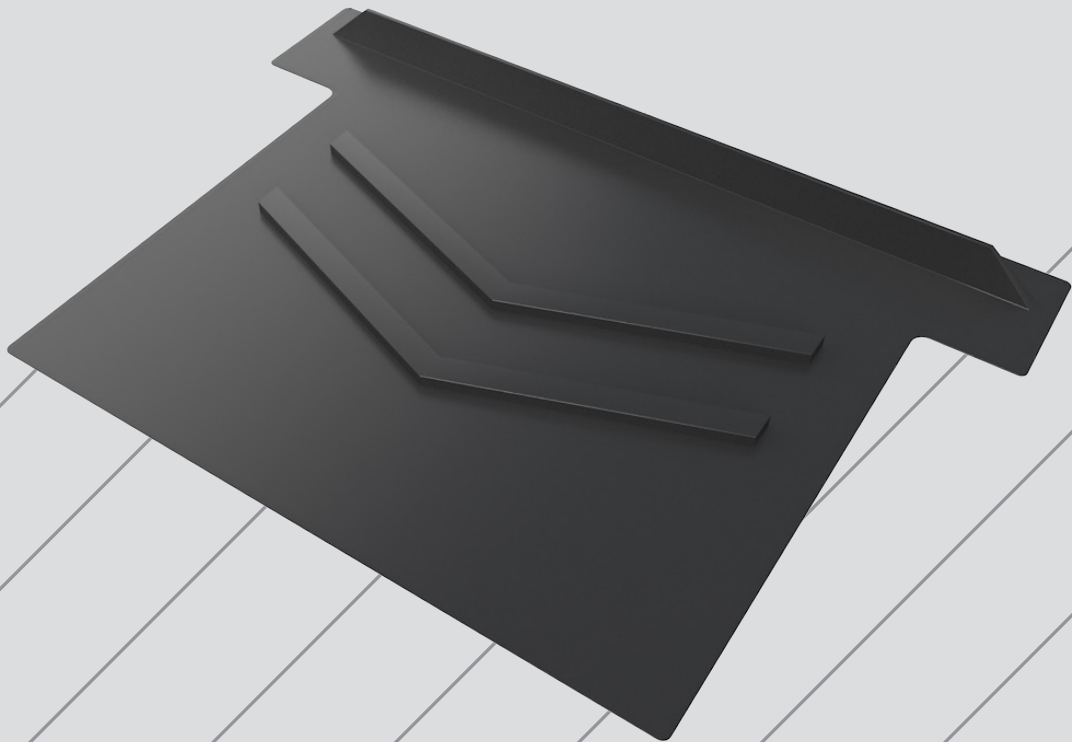
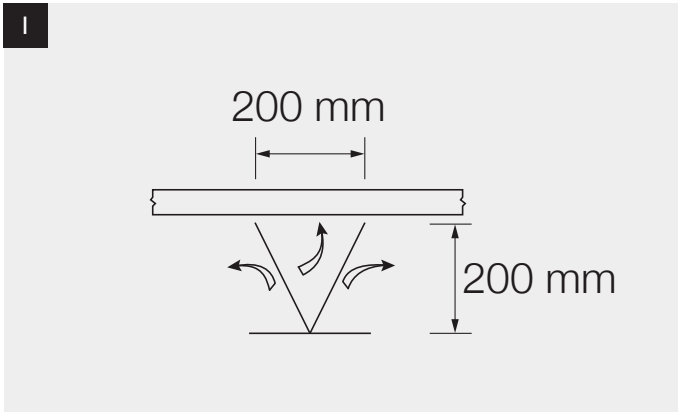


# FELT WEIR

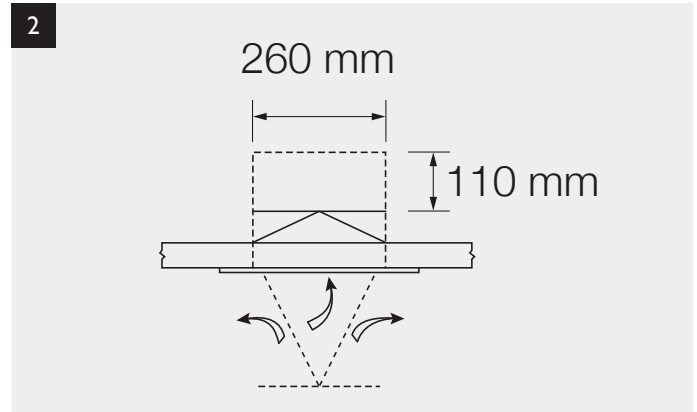
## FITTING INSTRUCTIONS



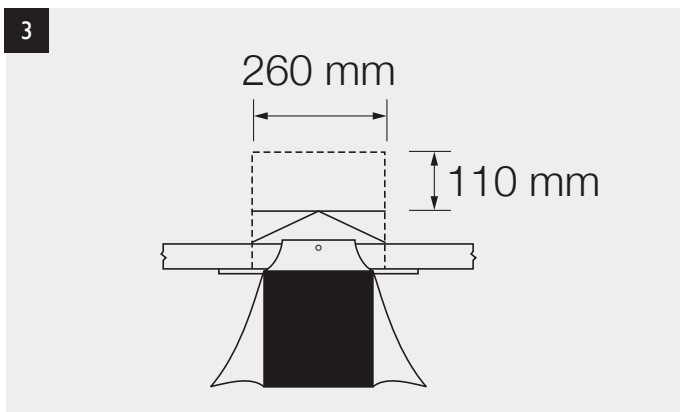
## FELT WEIR



Cut underlay in a "V" shape as shown. Fold back cut edges of underlay. Using the Cedral Felt Weir will give additional protection to the underlay cut.



Neatly cut a 260mm long slot in underlay, at a distance of approx. 60mm above top of the slating batten. Slide the felt weir through this slot until the upstand of the felt weir is up to the bottom of the batten. Allow a minimum cover of 110mm between the felt weir and the underlay.



Secure the felt weir by folding the top section of cut underlay over the batten and fix in place with a 20mm galvanised clout nail to the face or back edge of the batten.

### IRELAND

Tel: +353 059 8631316 Email: [info.ireland@cedral.world](mailto:info.ireland@cedral.world)  
Etex Ireland Ltd, Kilkenny Road, Athy, Kildare, Ireland, R14 VN84

more at [cedral.ie](http://cedral.ie)

### GREAT BRITAIN

Tel: +44 (0)1283 501 505 Email: [techuk@etexgroup.com](mailto:techuk@etexgroup.com)  
Etex (Exteriors) UK Ltd, Wellington Road, Burton upon Trent, Staffordshire, DE14 2AP

more at [cedral.world](http://cedral.world)