

## Product description

EQUITONE panels may be face fixed to an aluminium or galvanised steel metal supporting frame using the EQUITONE Stainless Steel UNI-Rivet.

The EQUITONE Stainless Steel UNI-Rivet can be used to fix: EQUITONE [linea], EQUITONE [lunara], EQUITONE [natura], EQUITONE [natura] PRO, EQUITONE [pictura], EQUITONE [tectiva], EQUITONE [textura], to a vertical facade, soffit or ceiling.



## 1. Technical Characteristics

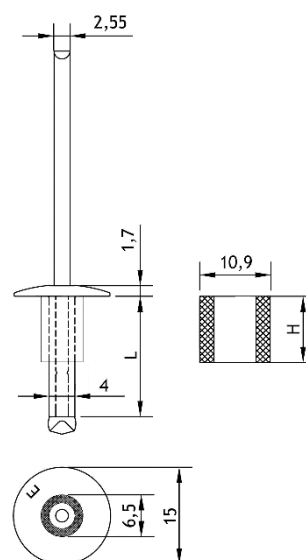
With its unique design the EQUITONE stainless steel UNI-Rivet fixing system provides EQUITONE fibre-cement façade panels with 3-way movement to ensure minimum strain on the panel.

**EQUITONE Stainless Steel UNI-Rivet is available for:**

8 mm thick panel	4x18 K15 4x20 K15
10 mm thick panel	4x20 K15 4x22 K15
12 mm thick panel	4x22 K15 4x24 K15

**Aluminium UNI-Rivet Dimensions**

Diameter	4.0 mm
Length	18 mm, 20 mm, 22 mm, 24 mm
Head diameter	15 mm
Mandrel diameter	2.55 mm
Spacer outer diameter	6.5 mm
Spacer inner diameter	4.1 mm
Spacer Length	SP8 - 10.25 mm for 8 mm panel SP10 - 12.25 mm for 10 mm panel SP12 - 14.25 mm for 12 mm panel



**Stainless Steel UNI-Rivet Materials**

Body of rivet:	stainless steel 1.4567 (EN 10088-1)
Traction mandrel:	stainless steel 1.4541 (EN 10088-1)
GO Point Spacer SP8, SP10, SP12:	Green Polyamide with tolerance to ISO 2768

Characteristic head pull through resistance is 1775 N

Characteristic withdrawal resistance in 2 mm aluminium support frame with tensile strength of 245 N/mm<sup>2</sup> is 2149 N.

#### Framing thickness for Stainless Steel UNI-Rivet (8 mm Panel)

4x18 K15 Stainless Steel UNI-Rivet	1.7 mm to 3.5 mm metal frame thickness
4x20 K15 Stainless Steel UNI-Rivet	3.5 mm to 5.5 mm metal frame thickness

#### Framing thickness for Stainless Steel UNI-Rivet (10 mm Panel)

4x20 K15 Stainless Steel UNI-Rivet	1.7 mm to 3.5 mm metal frame thickness
4x22 K15 Stainless Steel UNI-Rivet	3.5 mm to 5.5 mm metal frame thickness

#### Framing thickness for Stainless Steel UNI-Rivet (12 mm Panel)

4x22 K15 Stainless Steel UNI-Rivet	1.7 mm to 3.5 mm metal frame thickness
4x24 K15 Stainless Steel UNI-Rivet	3.5 mm to 5.5 mm metal frame thickness

#### Stainless Steel UNI-Rivet Coating:

The stainless steel UNI-Rivets have colour matched heads to match the panel colour.

The coating system is a two-layer process.

An optional marine protection is available on request.

The coating thickness is 30 - 80 µm depending on the finish.

## 2. STOP Point Sleeve

As part of the EQUITONE UNI-Rivet fixing system, a Red STOP point sleeve is used. This item is stamped with manufacturer's symbols.

#### STOP Point Sleeve Dimensions

Sleeve outer diameter	10.9 mm
Sleeve inner diameter	6.7 mm
Sleeve Length for 8 mm panel	10.25 mm
Sleeve Length for 10 mm panel	12.25 mm
Sleeve Length for 12 mm panel	14.25 mm



#### STOP Point Sleeve Materials

STOP Point Sleeve	Red Polyamide with tolerance to ISO 2768
-------------------	--

#### Forming a STOP Point Fixing:

To form a STOP fixing point- push the Red STOP Point Sleeve over the green spacer on the EQUITONE UNI-Rivet.

## 3. Packaging

EQUITONE UNI-Rivet	100 pieces per box
STOP point Sleeve	100 pieces per box

## 4. Supporting Frame

Stainless Steel UNI-rivets can be used with aluminium, galvanised steel or stainless steel supporting frames. Note that UNI-Rivets can't be used without the UNI-Rivet Foam tape.

---

### Disclaimer

The information in this document is correct at time issuing. However, due to our committed program of continuous material and system development we reserve the right to amend or alter the information contained therein without prior notice. Please visit [www.equitone.com](http://www.equitone.com) to ensure you have the most current version. All figures contained in this document are illustrations and should not be used as construction drawings. This information is supplied in good faith and no liability can be accepted for any loss or damage resulting from its use. This document is protected by international copyright laws. Reproduction and distribution in whole or in part without prior written permission is strictly prohibited. EQUITONE and logos are trademarks of Etex NV or an affiliate thereof. Any use without authorisation is strictly prohibited and may violate trademark laws.